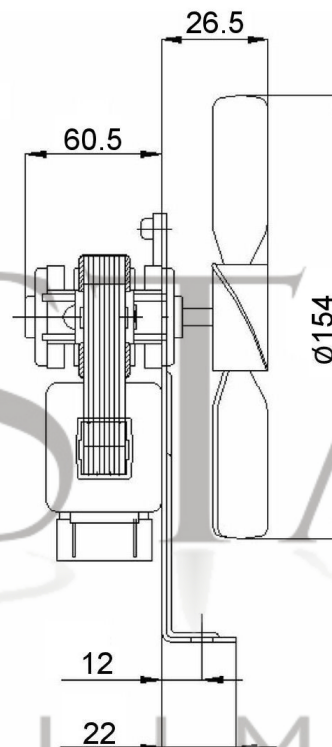
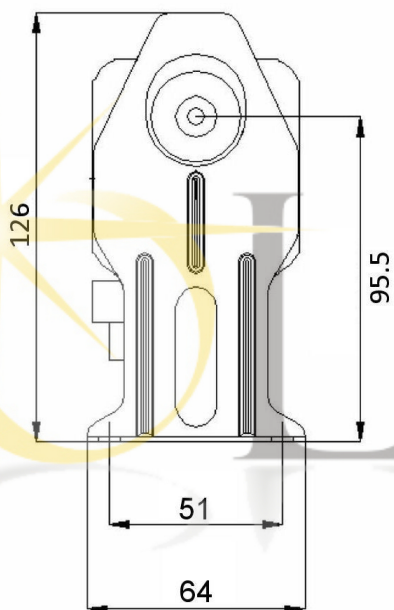


Direction of Rotation



Direction of Airflow



POLE STAR PRODUCTS LIMITED

SPECIFICATION

Motor	S.P.	Speed (RPM)	2600	Bearings	Sleeve
Voltage (V)	230	Motor Protection	Imp.Prot	Weight (Kg)	1.05
Frequency (Hz)	50/60	Insulation Class	F	Air Volume (M <sup>3</sup> /h)	
Power In/Out (W)	40	Noise Level (dBA)		Blade Material	Aluminium
Current (A)	0.31	Capacitor	N/A		

**POLE STAR**  
PRODUCTS LIMITED

POLE STAR PRODUCTS LIMITED

Product Code  
**24TS40-154S-1**

Projection Angle		A4
± 3°		Scale: Sheet: 1 of