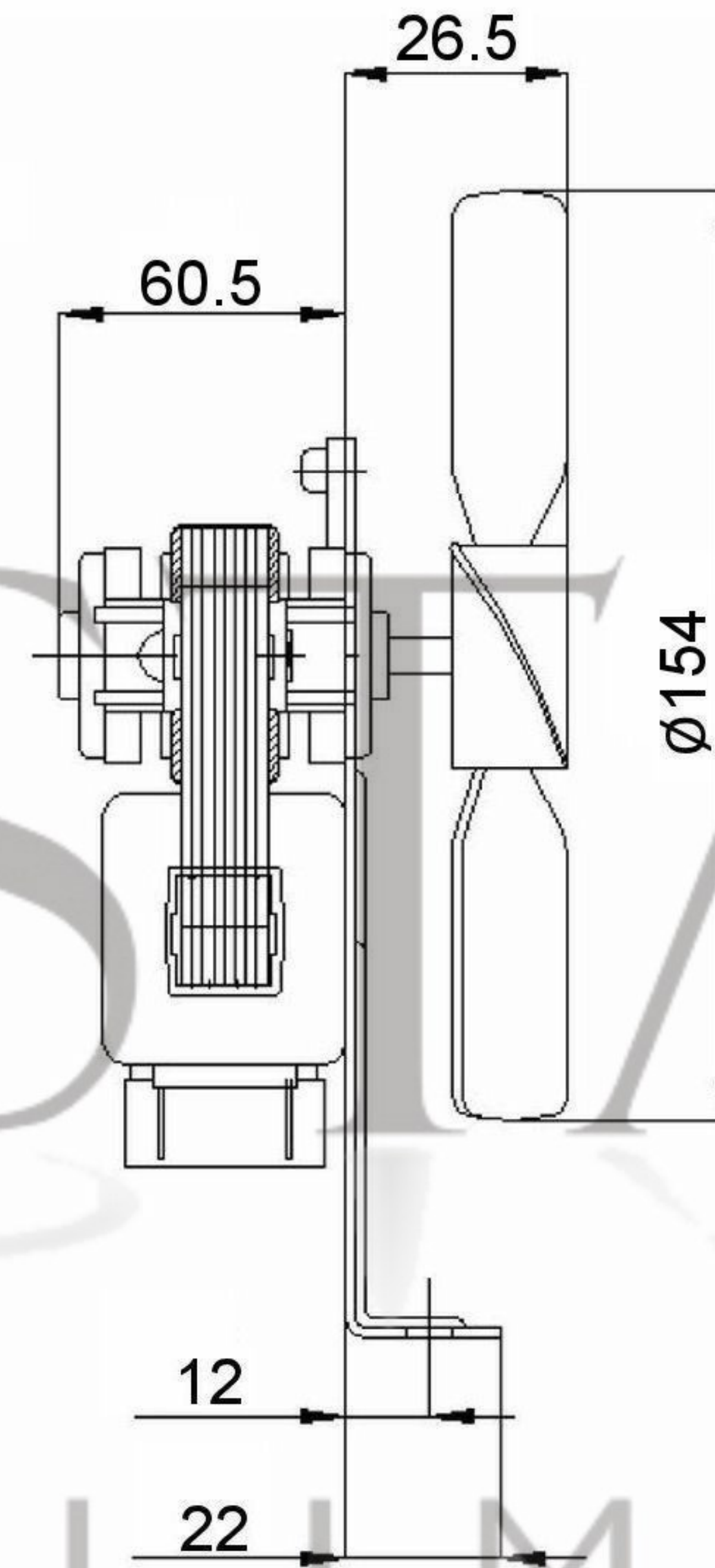
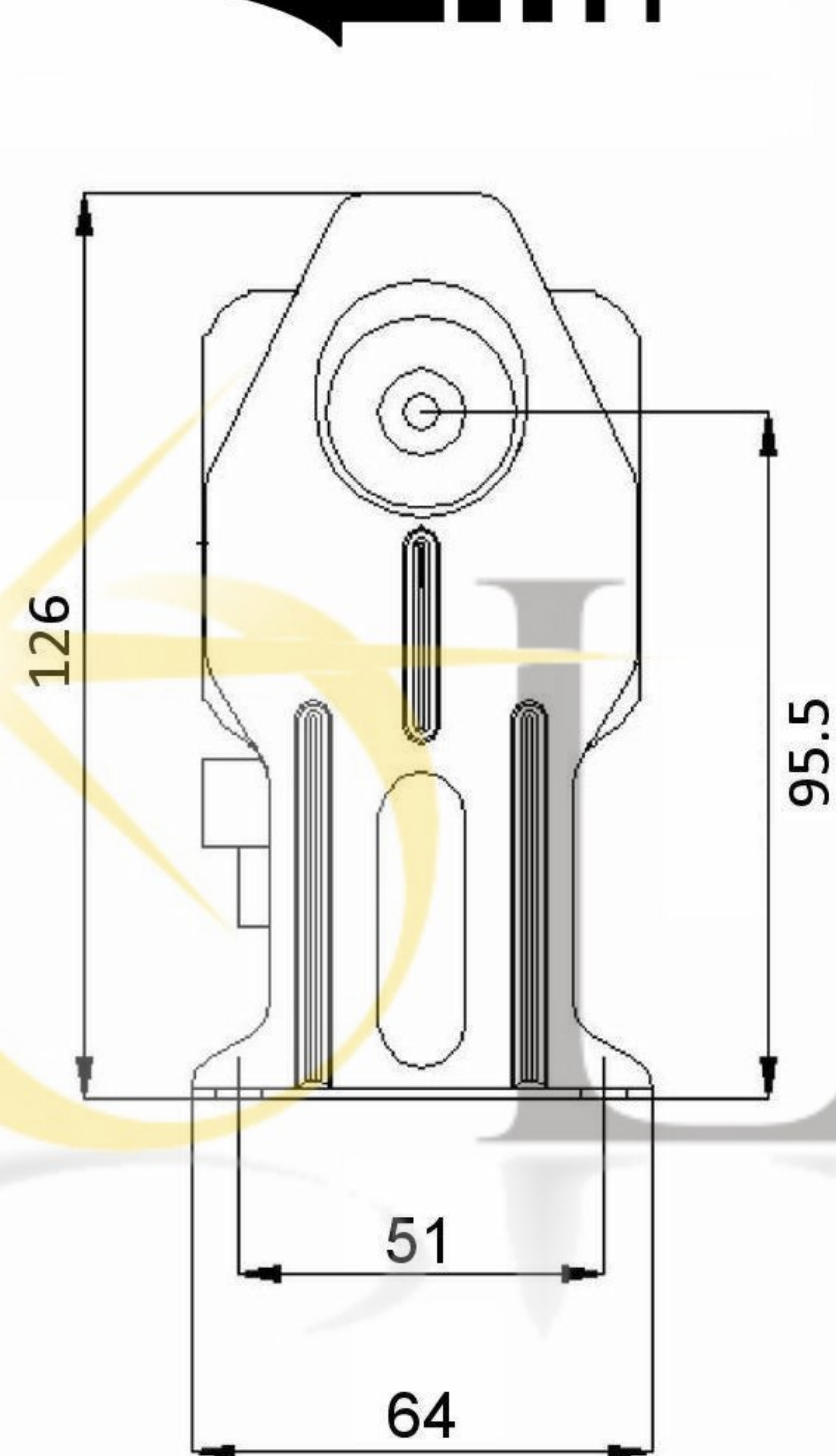


Direction of Rotation



Direction of Airflow



POLE STAR PRODUCTS LIMITED

SPECIFICATION					
Motor	S.P.	Speed (RPM)	2600	Bearings	Sleeve
Voltage (V)	230	Motor Protection	Imp.Prot	Weight (Kg)	1.05
Frequency (Hz)	50/60	Insulation Class	F	Air Volume (M ³ /h)	
Power In/Out (W)	40	Noise Level (dBA)		Blade Material	Aluminium
Current (A)	0.31	Capacitor	N/A		

POLE STAR
PRODUCTS LIMITED

POLE STAR PRODUCTS LIMITED	
Product Code	
24TS40-154B-1	
Projection Angle ± 3°	
A4	Scale:
	Sheet: 1 of