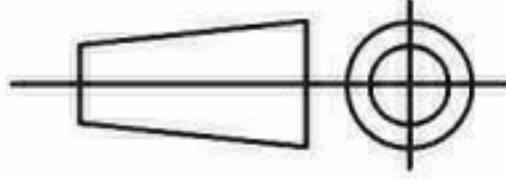


SPECIFICATION					
Motor	SP	Speed (RPM)	1250	Bearings	Sleeve
Voltage (V)	220/240	Motor Protection	Th. Prot	Weight (Kg)	1.5
Frequency (Hz)	50	Insulation Class	B	Air Volume (M ³ /h)	
Power In/Out (W)	12	Protection Class	IP42	Noise Level (dBA)	
Current (A)	0.3	Capacitor (Mf)	N/A	Pressure (Pa)	

POLE STAR
PRODUCTS LIMITED

POLE STAR PRODUCTS LIMITED	
Product Code	33FS12-1
Projection Angle ± 3°	
	A4
	Scale: Sheet: 1 of