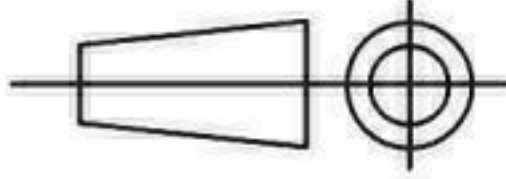


SPECIFICATION					
Motor	SP	Speed (RPM)	1250	Bearings	Sleeve
Voltage (V)	220/240	Motor Protection	Th. Prot	Weight (Kg)	1.45
Frequency (Hz)	50/60	Insulation Class	B	Air Volume (M <sup>3</sup> /h)	
Power In/Out (W)	20	Protection Class	IP42	Noise Level (dBA)	
Current (A)	0.55	Capacitor (Mf)	N/A	Pressure (Pa)	

**POLE STAR**  
PRODUCTS LIMITED

POLE STAR PRODUCTS LIMITED	
Product Code	<b>33FS20-1</b>
Projection Angle $\pm 3^\circ$	
	A4
	Scale:
	Sheet: 1 of