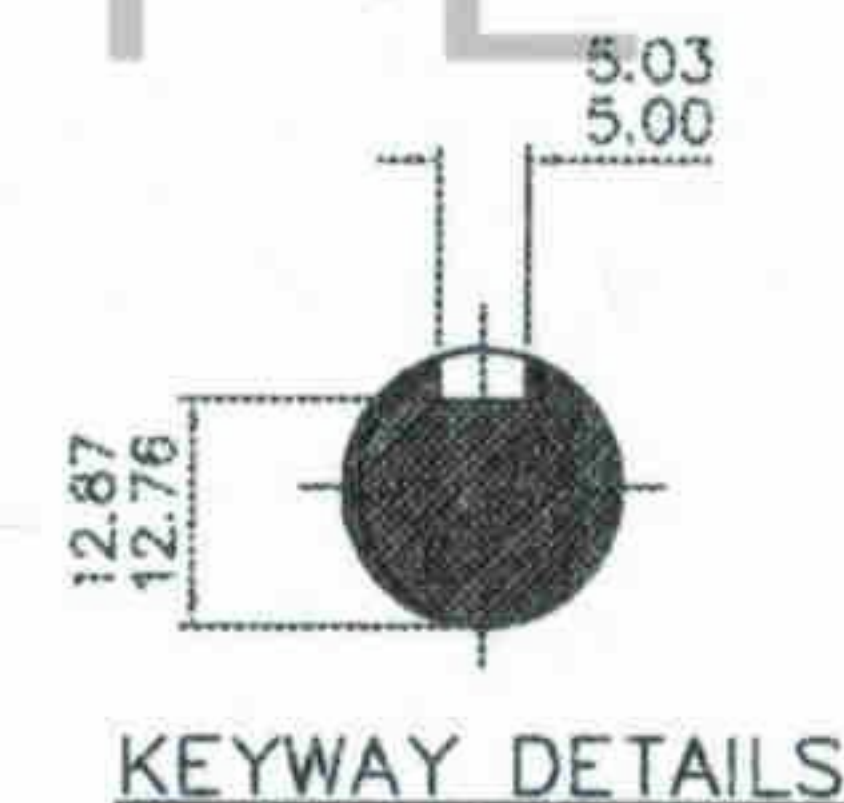
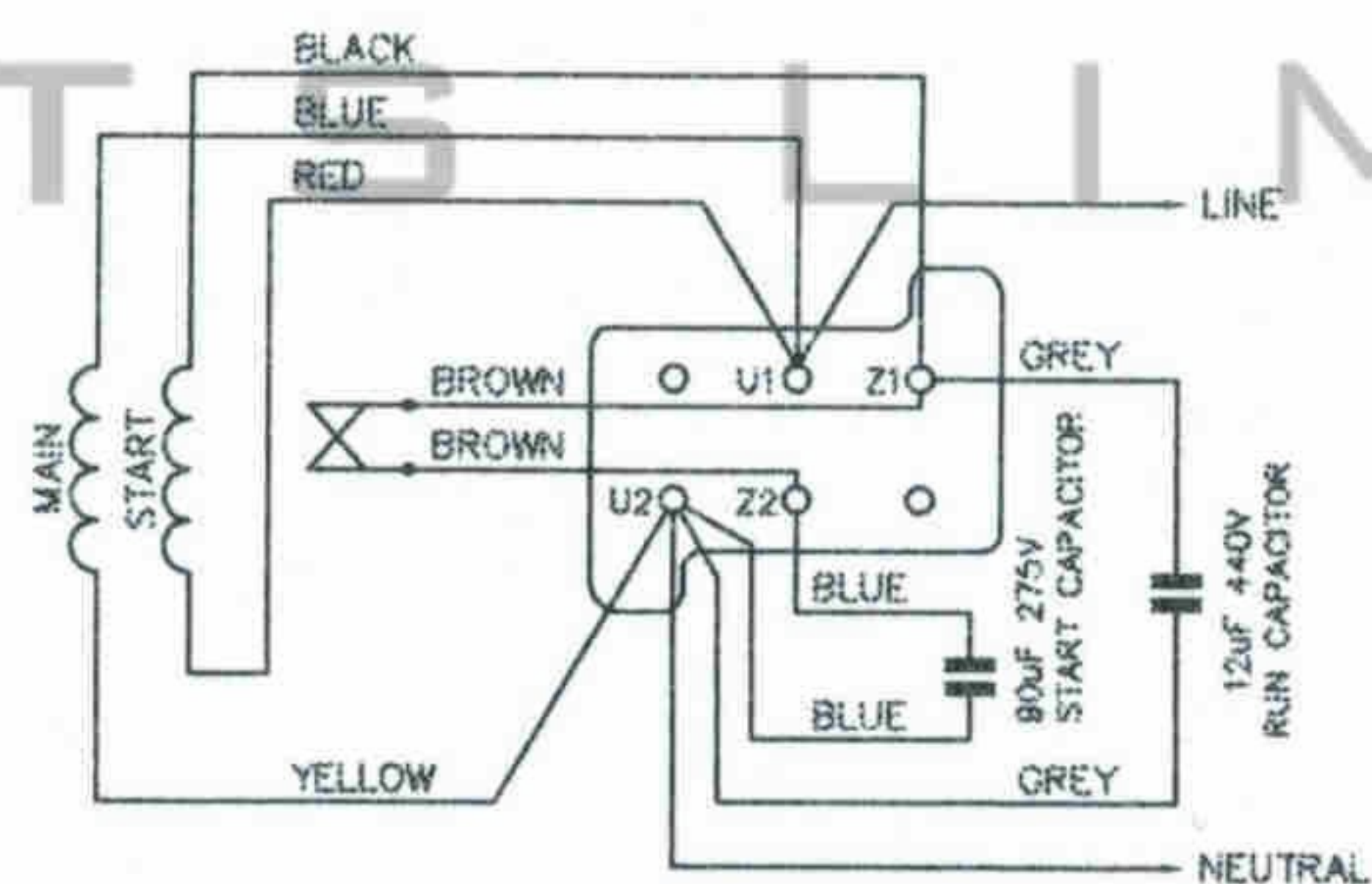


PRODUCTS LIMITED

ENCLOSURE: - TOTALLY ENCLOSED FAN COOLED
 BEARINGS: - BALL
 PROTECTION: - NONE



CONNECTION DIAGRAM

(TO REVERSE ROTATION INTERCHANGE YELLOW AND BLUE LEADS)

SPECIFICATION					
Motor	Cap/Cap	Speed (RPM)	1425	Bearings	Ball
Voltage (V)	220/240	Motor Protection	None	Weight (Kg)	
Frequency (Hz)	50	Insulation Class	B		
Power In/Out (W)	750	Protection Class	IP42	Amb. Temp(°C)	
Current (A)	5.0	Capacitor (MF)	12/90		

POLE STAR
 PRODUCTS LIMITED

POLE STAR PRODUCTS LIMITED	
Product Code	60FM750R-3
Projection Angle	$\pm 3^\circ$
Scale:	A4
Sheet:	1 of 1