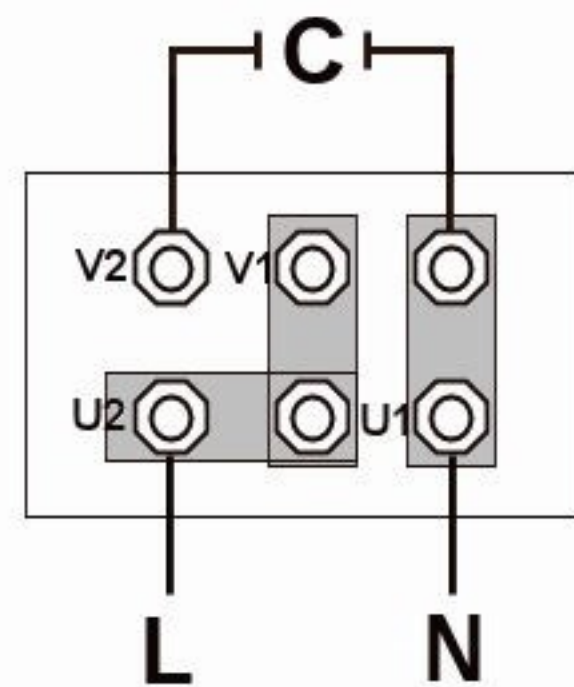
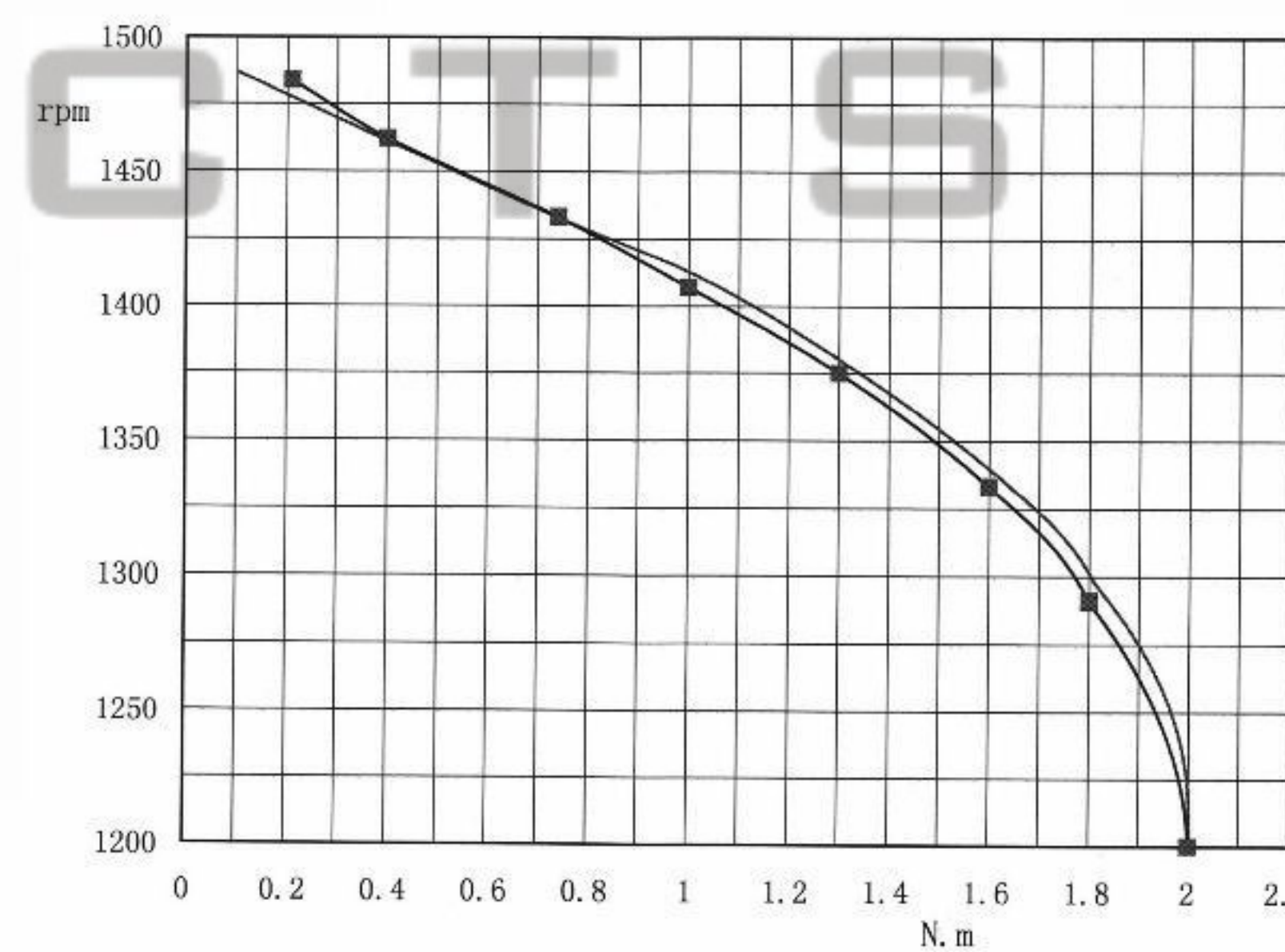
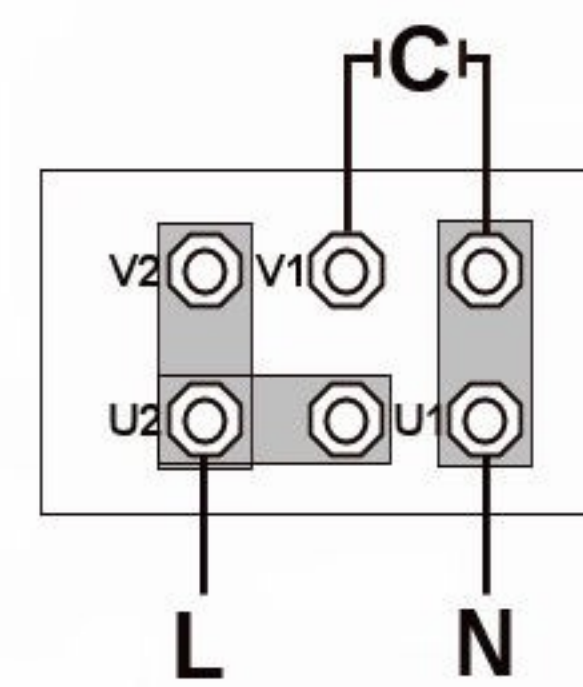


80 (+/-1)

Clockwise Rotation



Anti Clockwise Rotation



Ambient Temperature Rating: -30°C to +40°C

SPECIFICATION

Motor	PSC	Speed (RPM)	1400/1700	Bearings	Ball
Voltage (V)	220/240	Motor Protection	Th.Prot	Weight (Kg)	4.45
Frequency (Hz)	50/60	Insulation Class	F	Air Volume (M³/h)	
Power Out (W)	200	Protection Class	IP54	Noise Level (dBA)	
Current (A)	0.79	Capacitor (Mf)	14	Pressure (Pa)	

POLE STAR
PRODUCTS LIMITED

POLE STAR PRODUCTS LIMITED	
Product Code	63FS200-2
Projection Angle	± 3°
	A4
	Scale:
	Sheet: 1 of