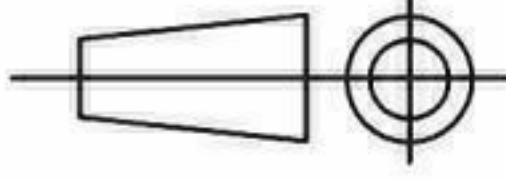


SPECIFICATION					
Motor	S/P	Speed (RPM)	1300/1550	Bearings	Sleeve
Voltage (V)	230/240	Motor Protection	Th.Prot	Weight (Kg)	
Frequency (Hz)	50/60	Insulation Class	B		
Power In/Out (W)	95/25	Protection Class	IP42		
Current (A)	0.68				

POLE STAR
PRODUCTS LIMITED

POLE STAR PRODUCTS LIMITED	
Product Code	84FM25S-7
Projection Angle $\pm 3^\circ$	
	A4
	Scale:
	Sheet: 1 of