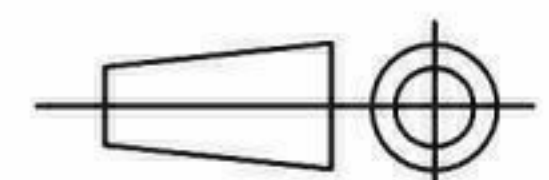


SPECIFICATION					
Motor	SP	Speed (RPM)	1300/1550	Bearings	Sleeve
Voltage (V)	220/240	Motor Protection	TH.Prot.	Weight (Kg)	1.5
Frequency (Hz)	50/60	Insulation Class	B		
Power In/Out (W)	63/20	Protection Class	IP42	Amb. Temp	-40 °C/+60 °C
Current (A)	0.45				

POLE STAR
PRODUCTS LIMITED

POLE STAR PRODUCTS LIMITED	
Product Code	84FS20-1
Projection Angle ± 3°	
	A4
	Scale: Sheet: 1 of