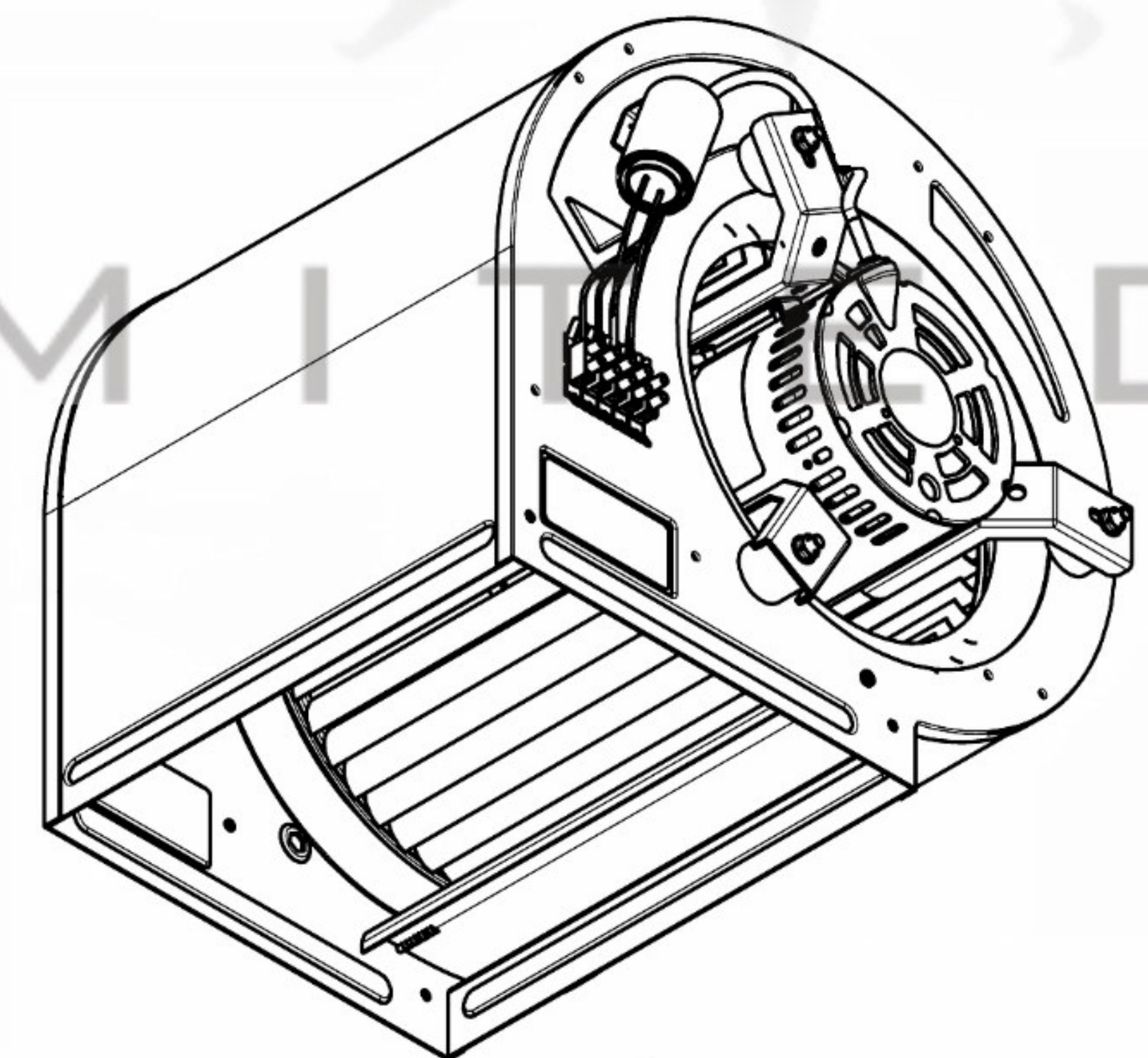
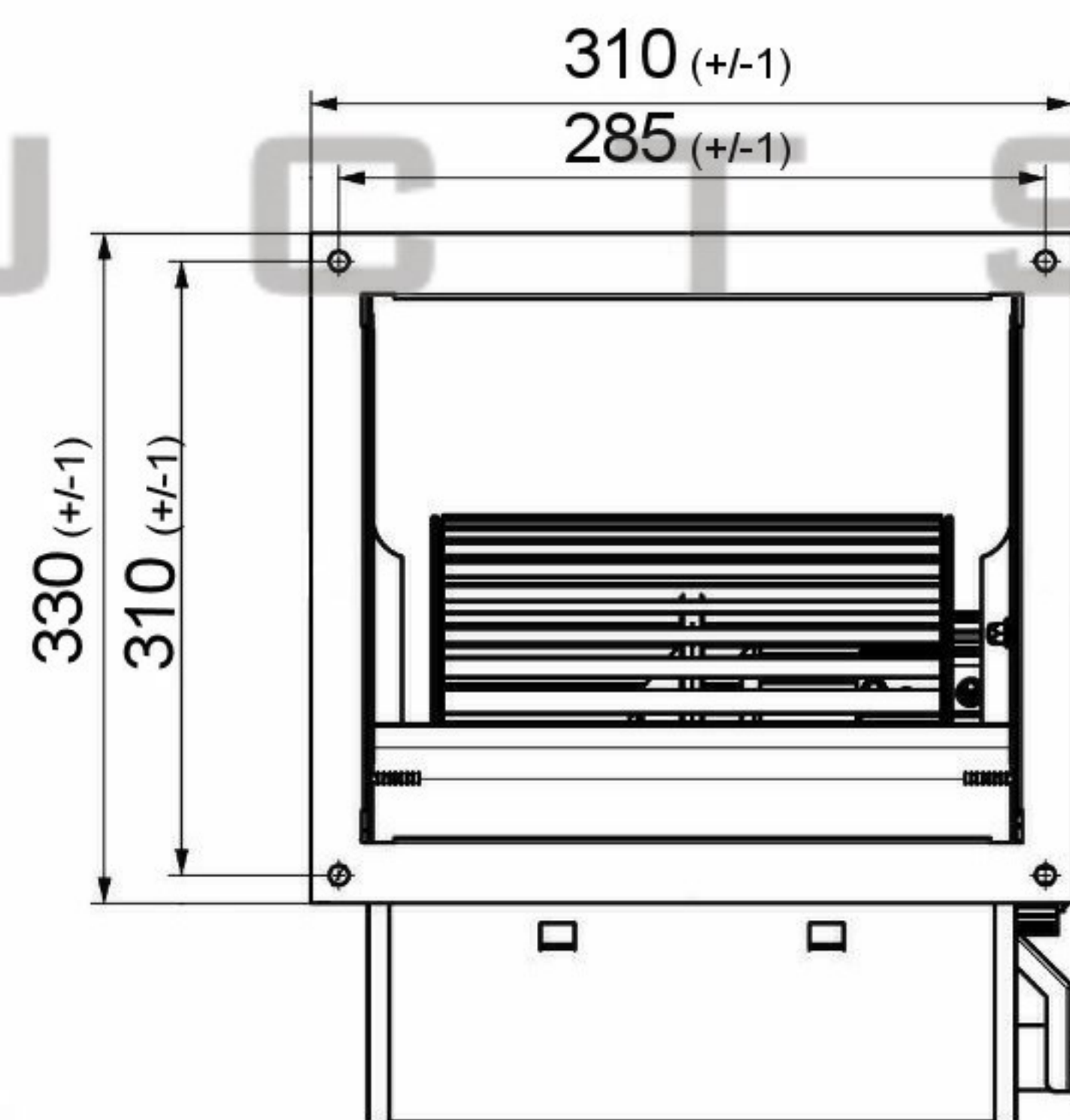
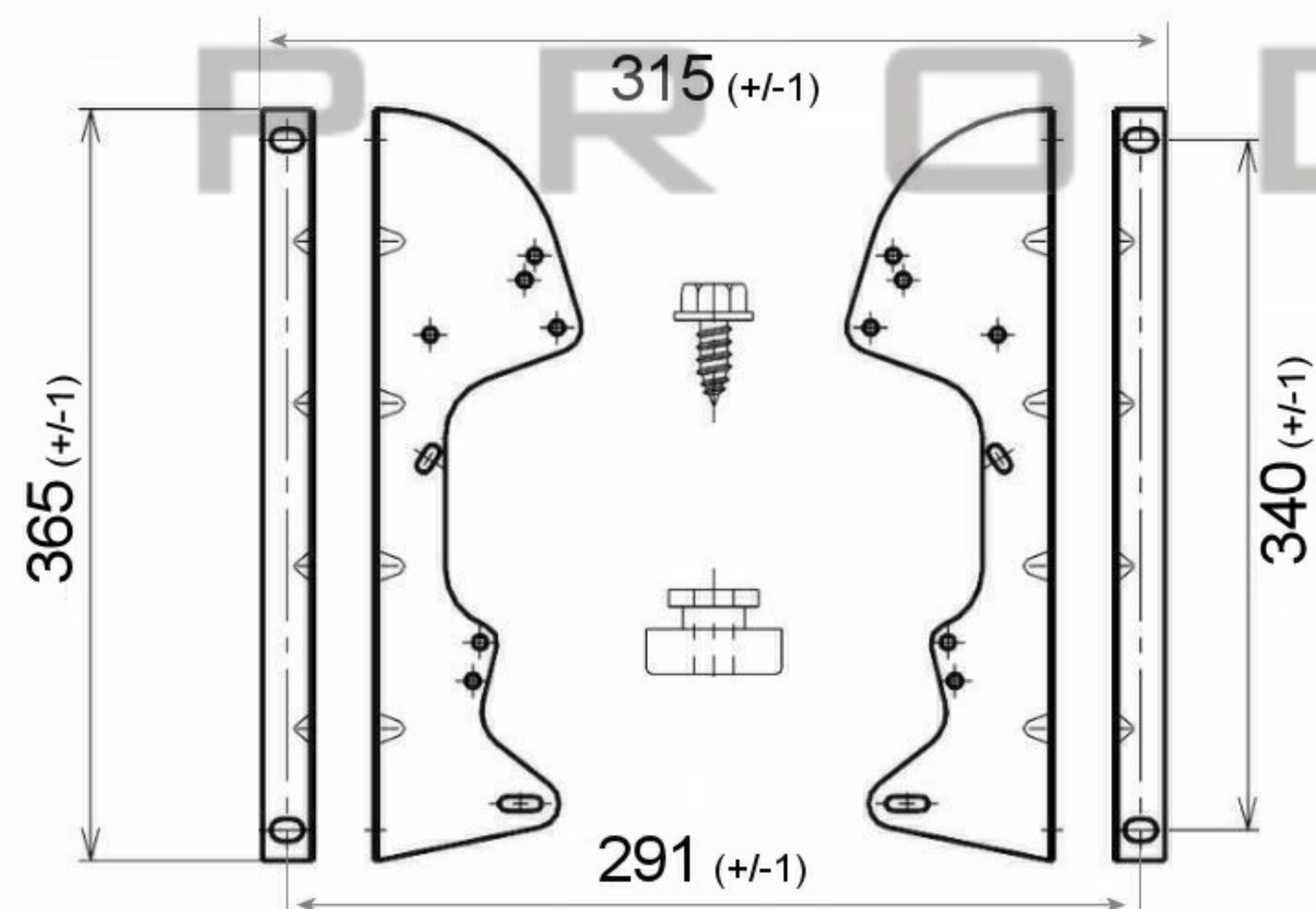


**Accessories: DDF10/8 (Flange)**

**Accessories: DD10F (Mounting Feet)**



SPECIFICATION					
Motor	PSC	Speed (RPM)	1250	Bearings	Ball
Voltage (V)	220/240	Motor Protection	Th.Prot	Weight (Kg)	15.0
Frequency (Hz)	50/60	Insulation Class	B	Air Volume (M <sup>3</sup> /h)	2300
Power In/Out (W)	200	Protection Class	IP42	Noise Level (dBA)	
Current (A)	1.7	Capacitor (Mf)	5.0	Pressure (Pa)	49

**POLE STAR**  
PRODUCTS LIMITED

POLE STAR PRODUCTS LIMITED	
Product Code	<b>DD10/8-F200/1V-1</b>
Projection Angle	± 3°
	A4
	Scale:
	Sheet: 1 of