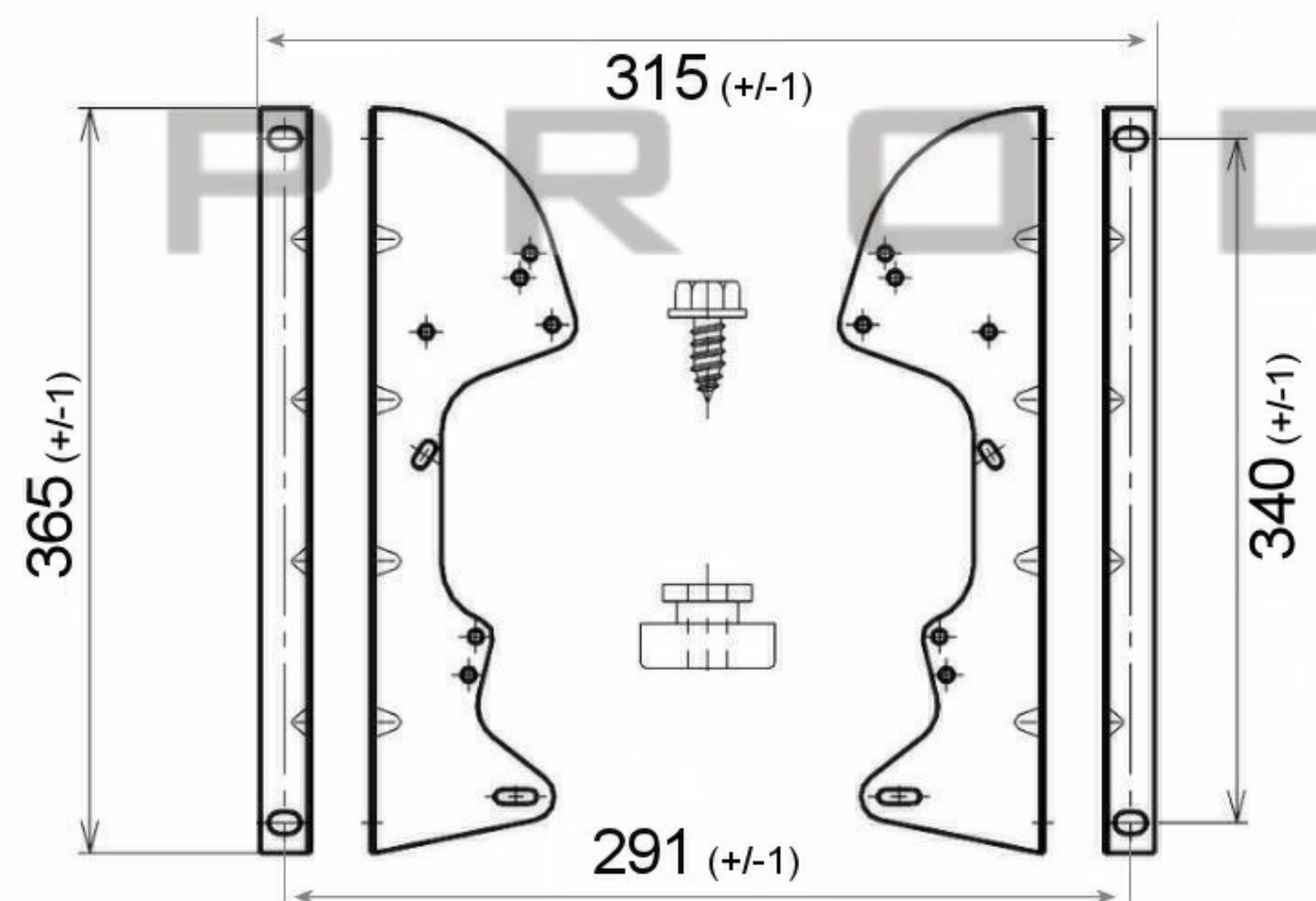
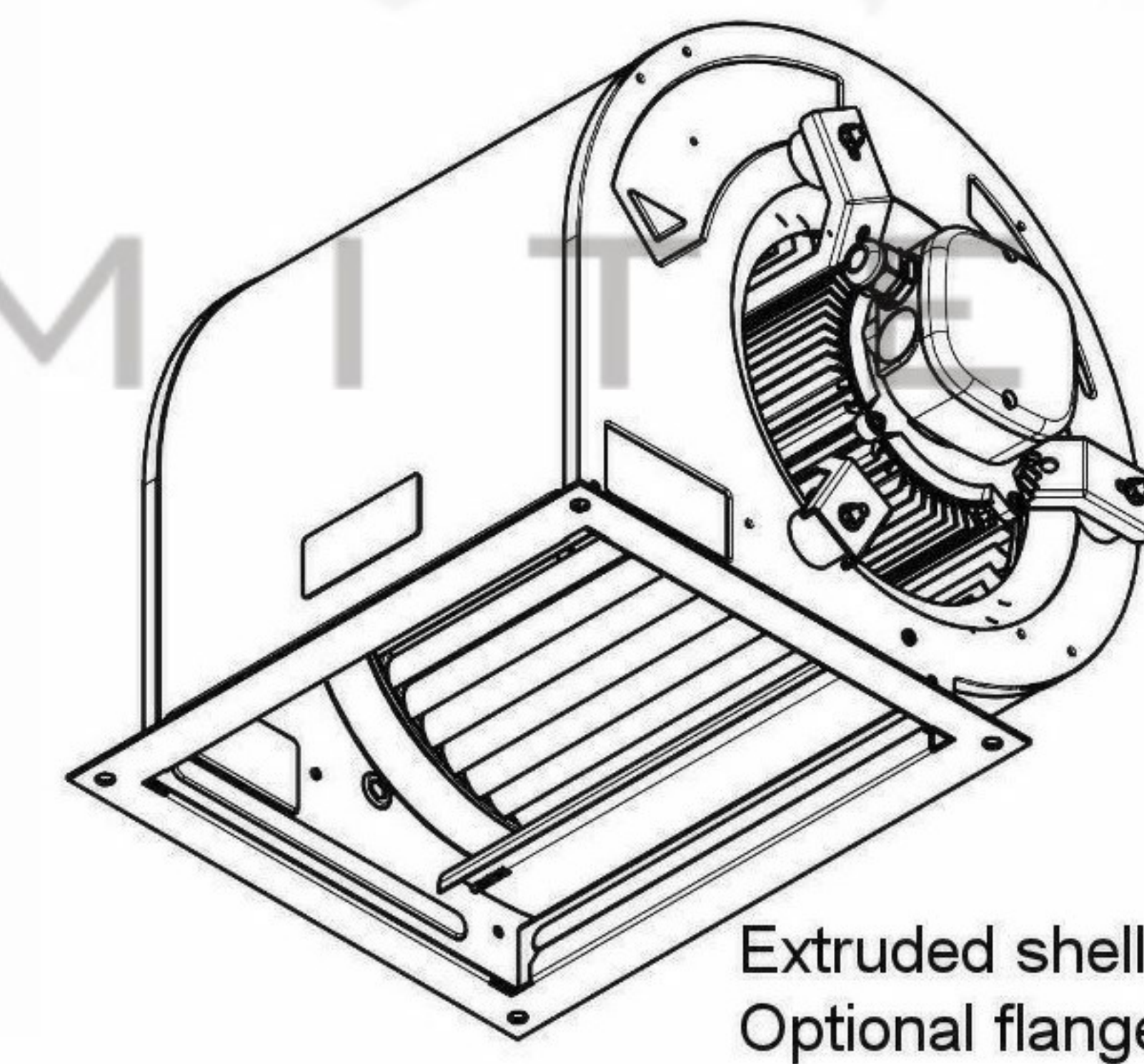
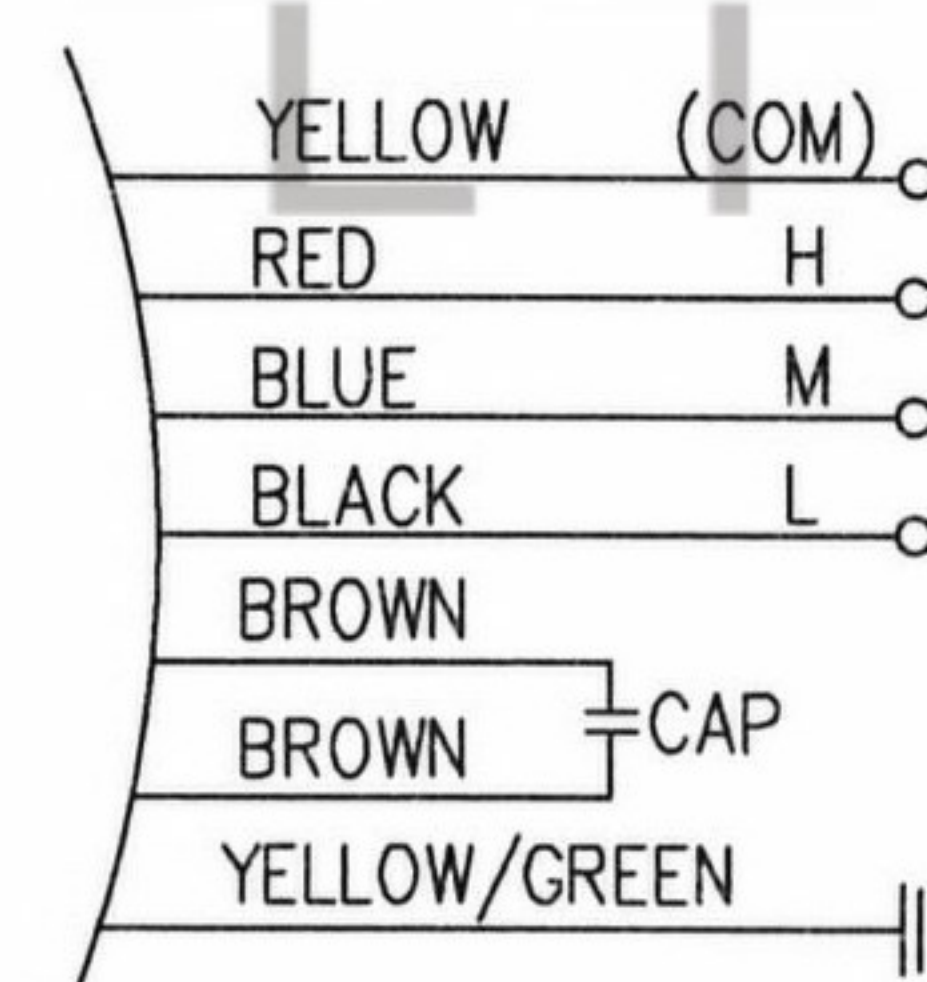
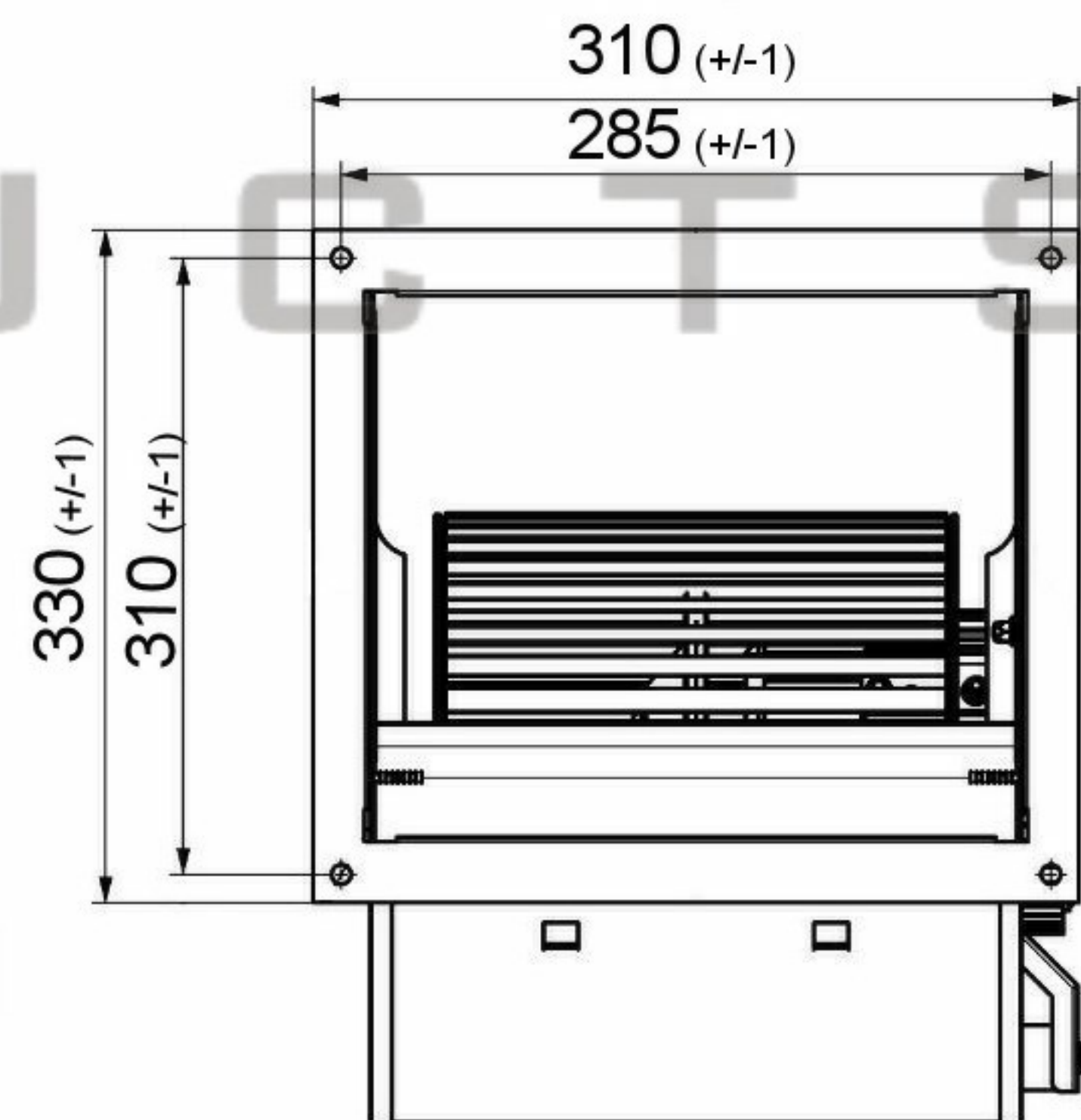


Accessories: DD10F (Mounting Feet)



Accessories: DDF10/8 (Flange)



Extruded shell motor depicted
Optional flange fitted

SPECIFICATION					
Motor	PSC	Speed (RPM)	1250	Bearings	Ball
Voltage (V)	220/240	Motor Protection	Th.Prot	Weight (Kg)	15.0
Frequency (Hz)	50/60	Insulation Class	B	Air Volume (M ³ /h)	1600/2050 2750
Power In/Out (W)	370	Protection Class	IP42	Noise Level (dBA)	
Current (A)	3.0	Capacitor (Mf)	15	Pressure (Pa)	49

POLE STAR
PRODUCTS LIMITED

POLE STAR PRODUCTS LIMITED	
Product Code	
DD10/8-F370/3V-1	
Projection Angle	A4
± 3°	Scale:
	Sheet: 1 of