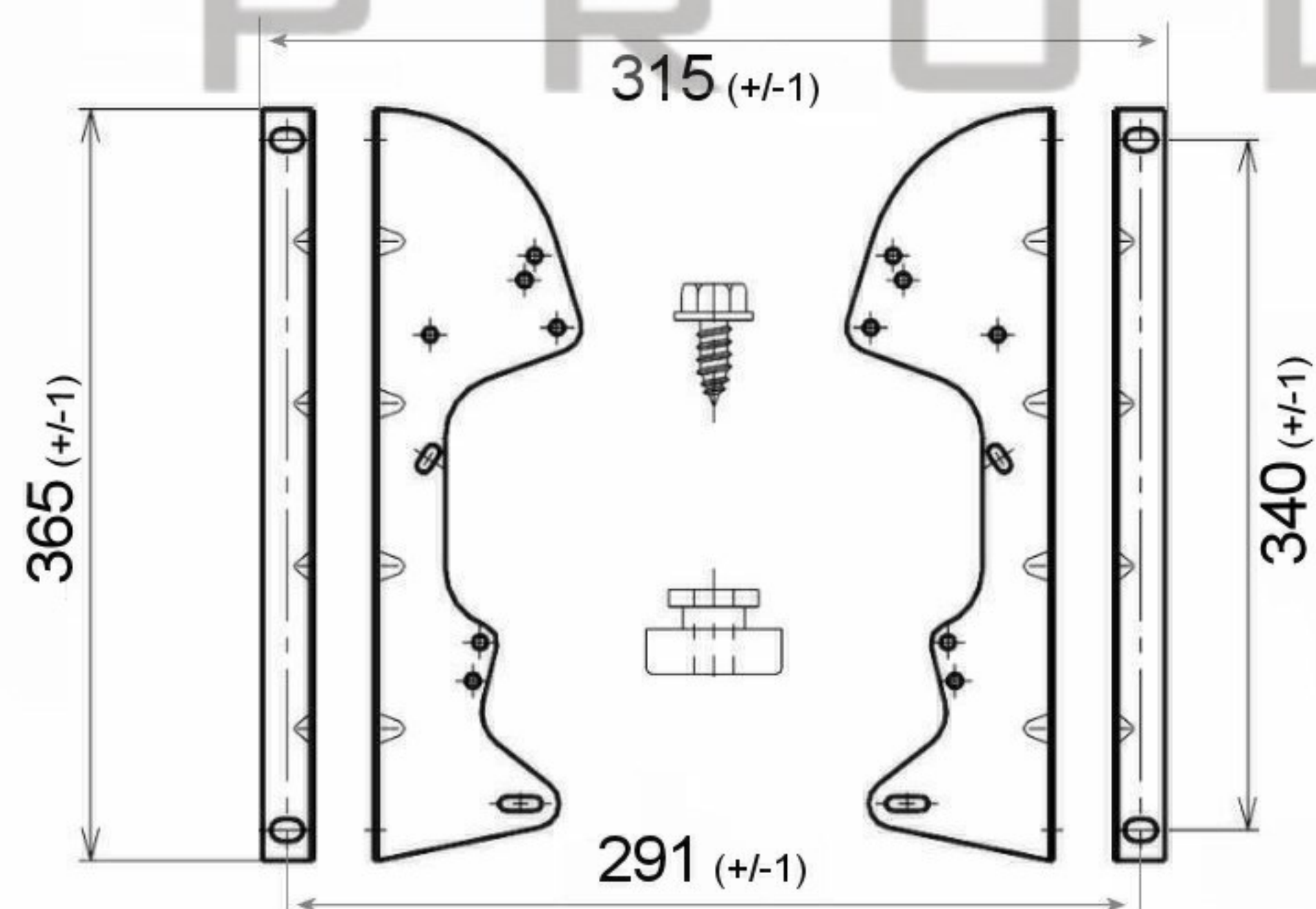
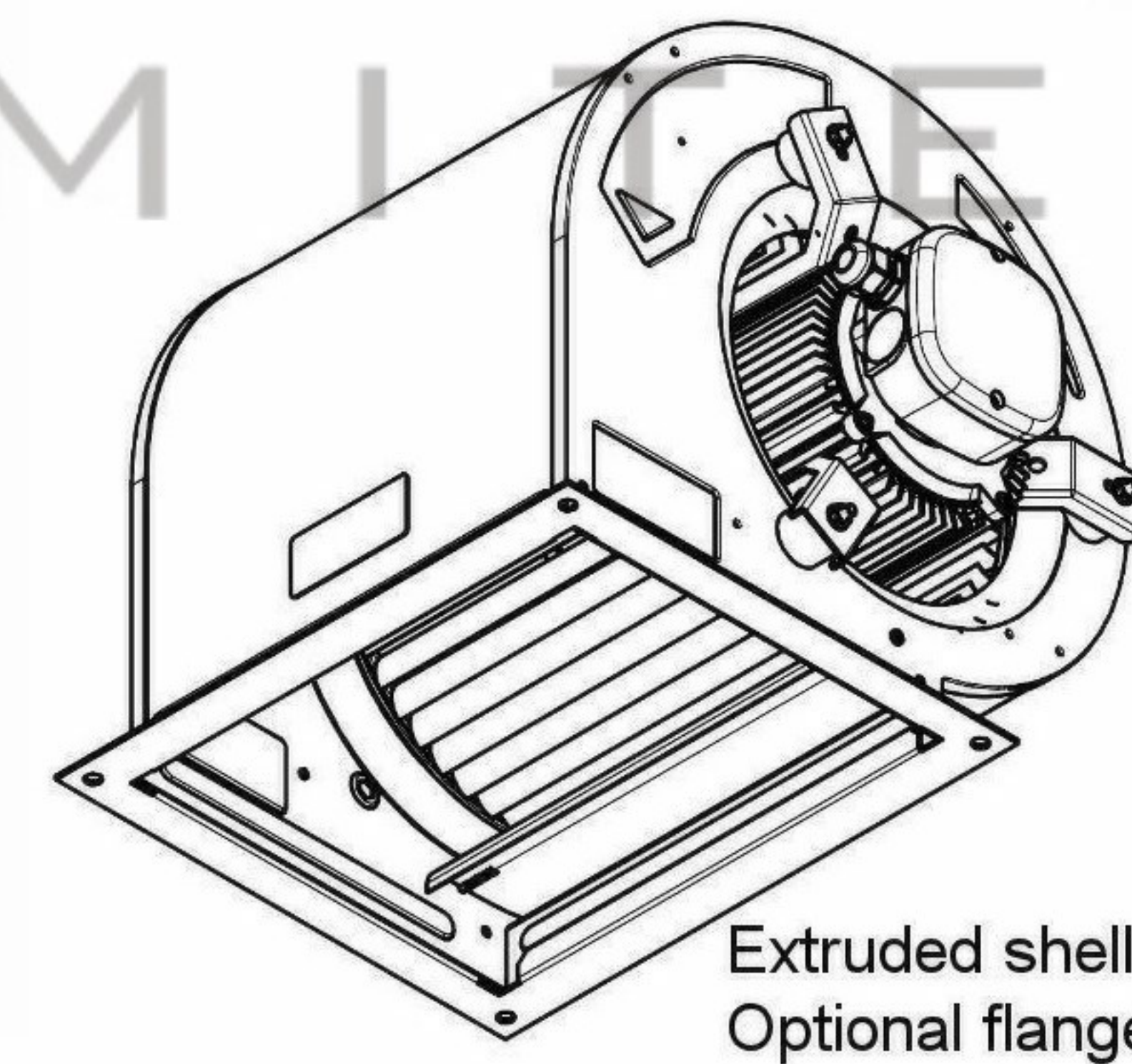
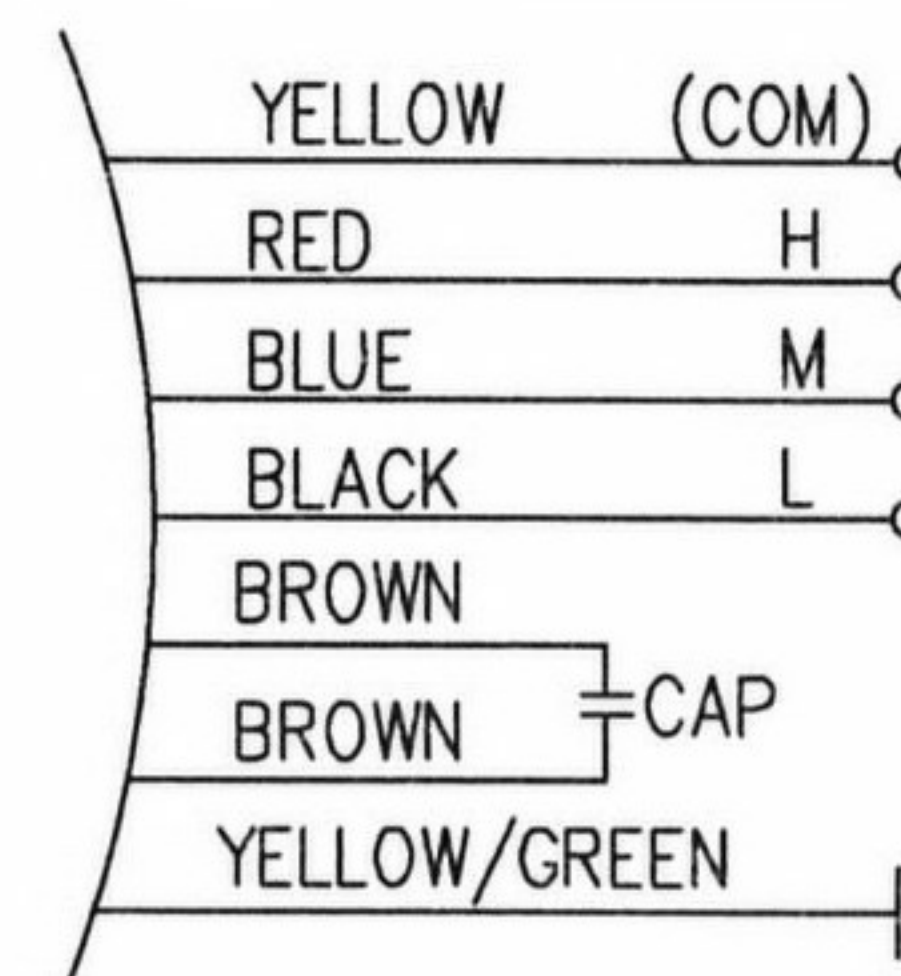
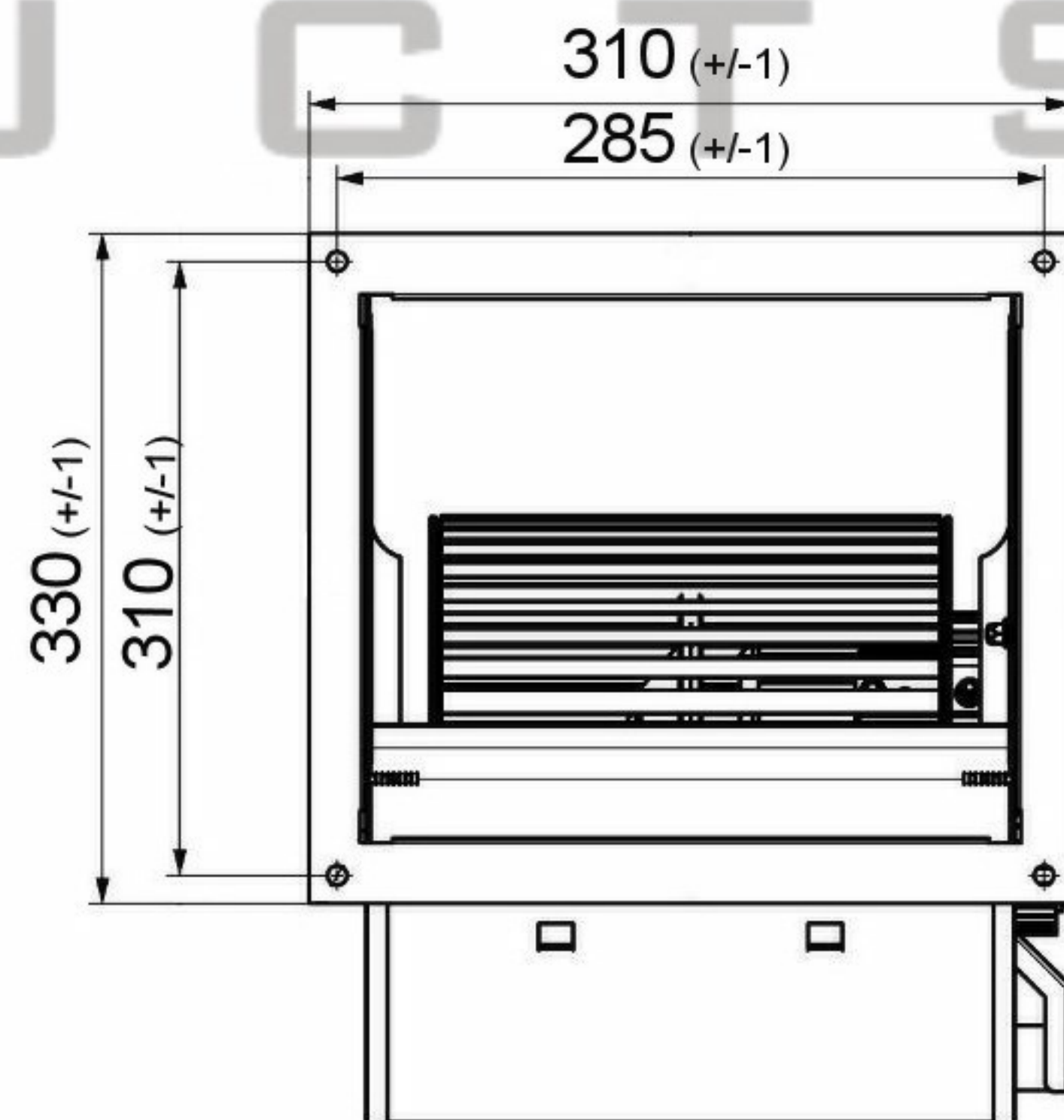


**Accessories: DD10F (Mounting Feet)**



**Accessories: DDF10/8 (Flange)**



Extruded shell motor depicted  
Optional flange fitted

SPECIFICATION					
Motor	PSC	Speed (RPM)	1250	Bearings	Ball
Voltage (V)	220/240	Motor Protection	Th.Prot	Weight (Kg)	18.0
Frequency (Hz)	50/60	Insulation Class	B	Air Volume (M <sup>3</sup> /h)	2100/2600 3200
Power In/Out (W)	550	Protection Class	IP42	Noise Level (dBA)	
Current (A)	3.8	Capacitor (Mf)	15.0	Pressure (Pa)	137

**POLE STAR**  
PRODUCTS LIMITED

POLE STAR PRODUCTS LIMITED	
Product Code	
<b>DD10/8-F550/3V-1</b>	
Projection Angle	A4
± 3°	Scale:
	Sheet: 1 of