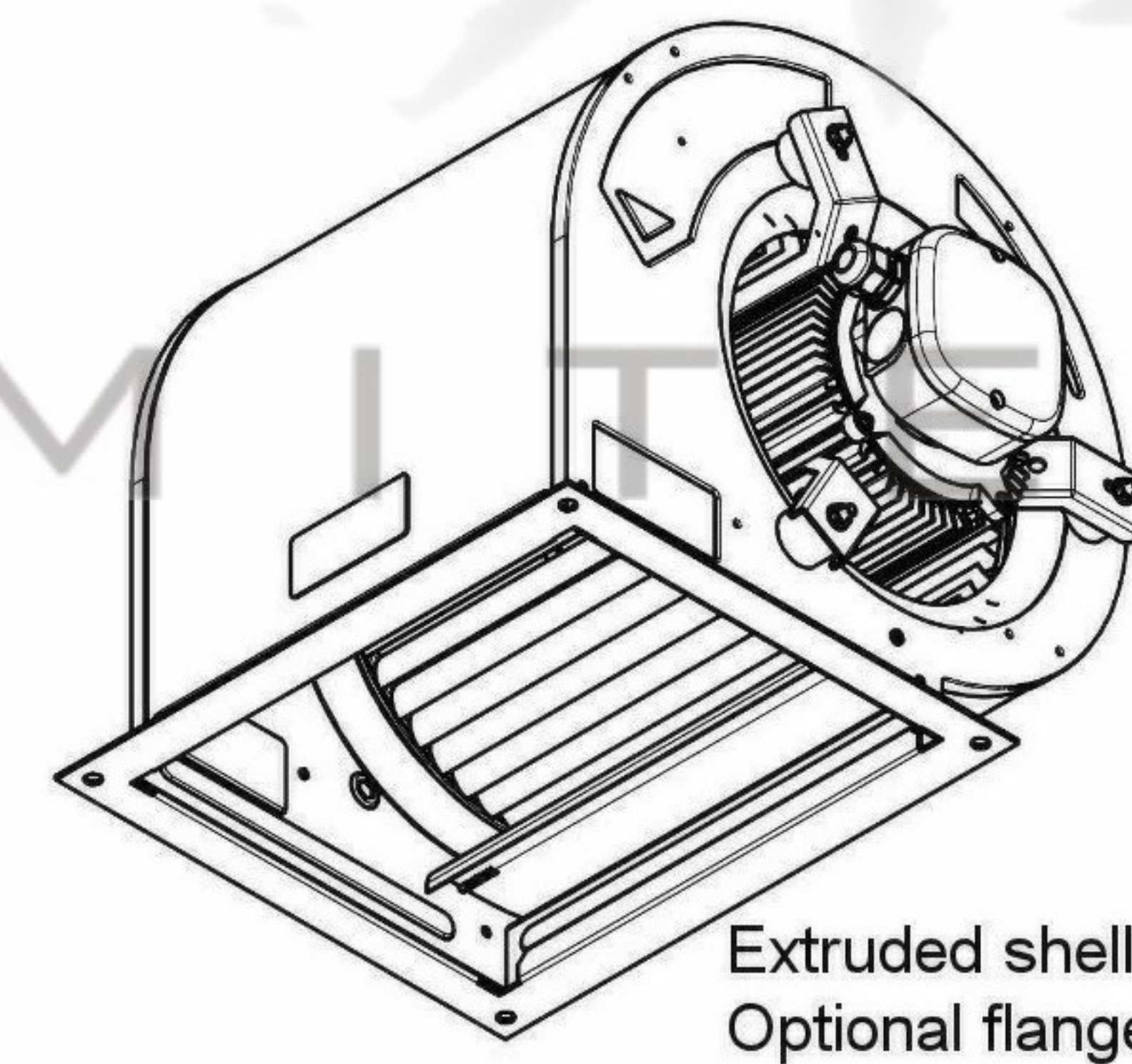
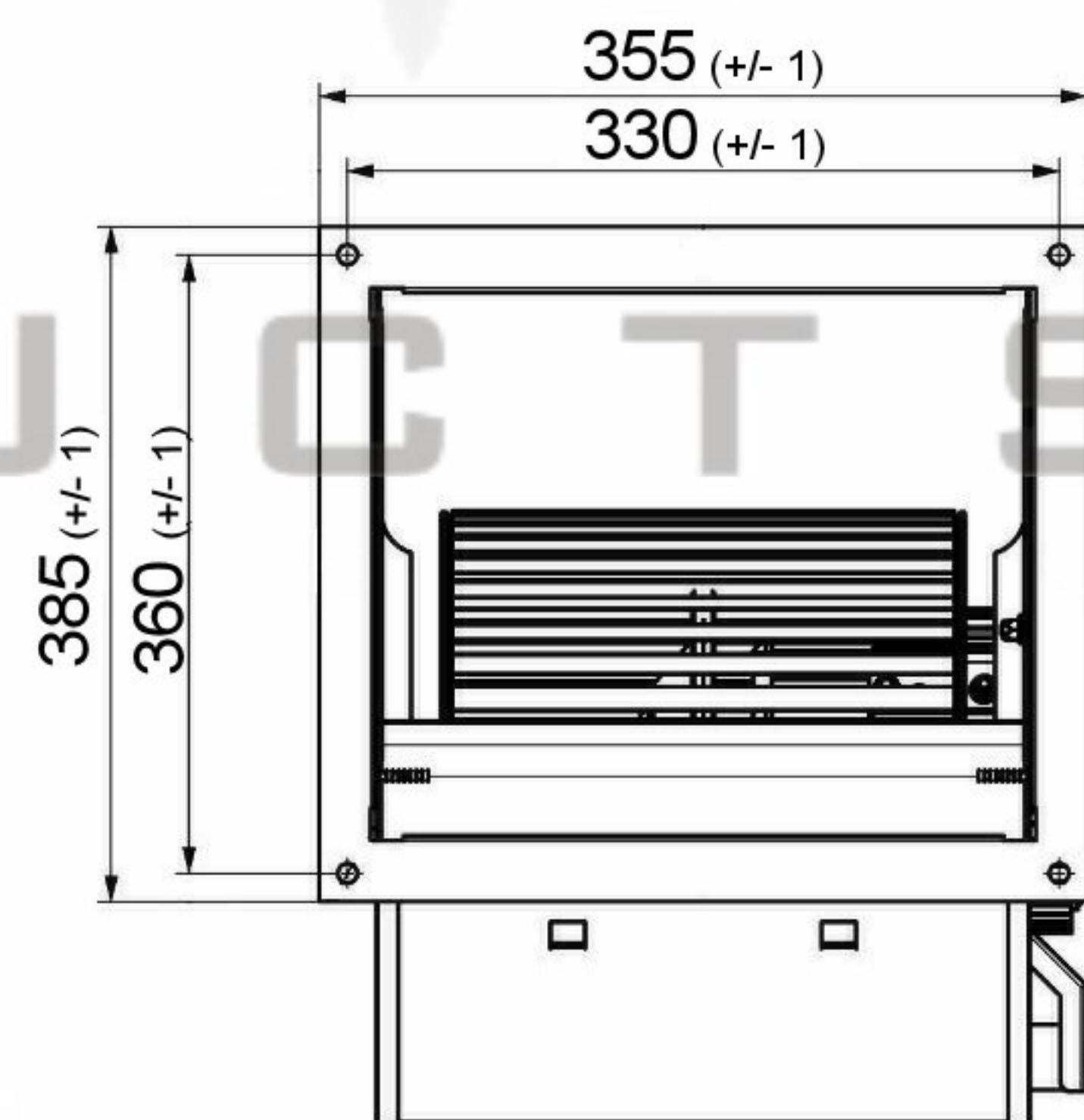
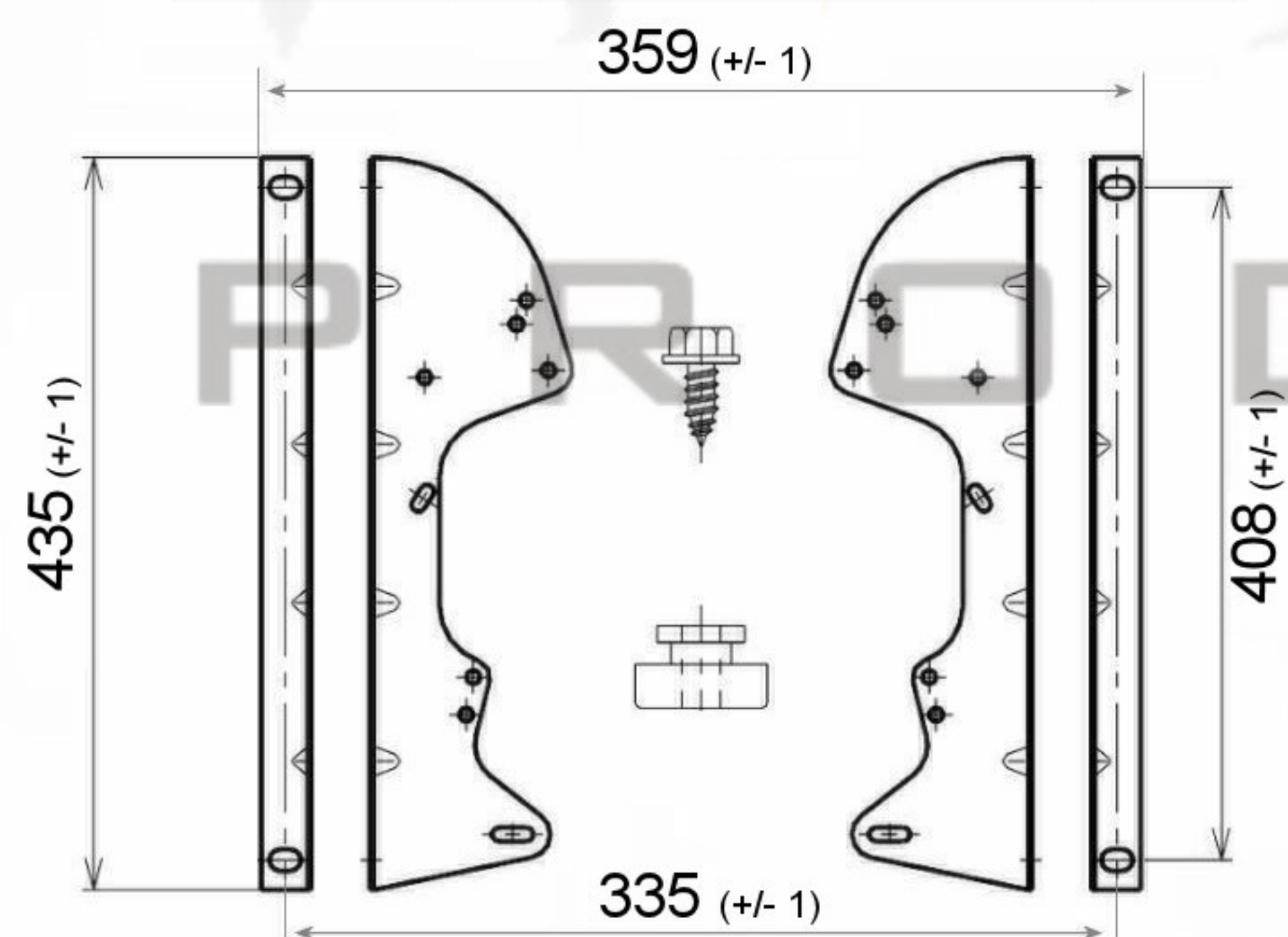
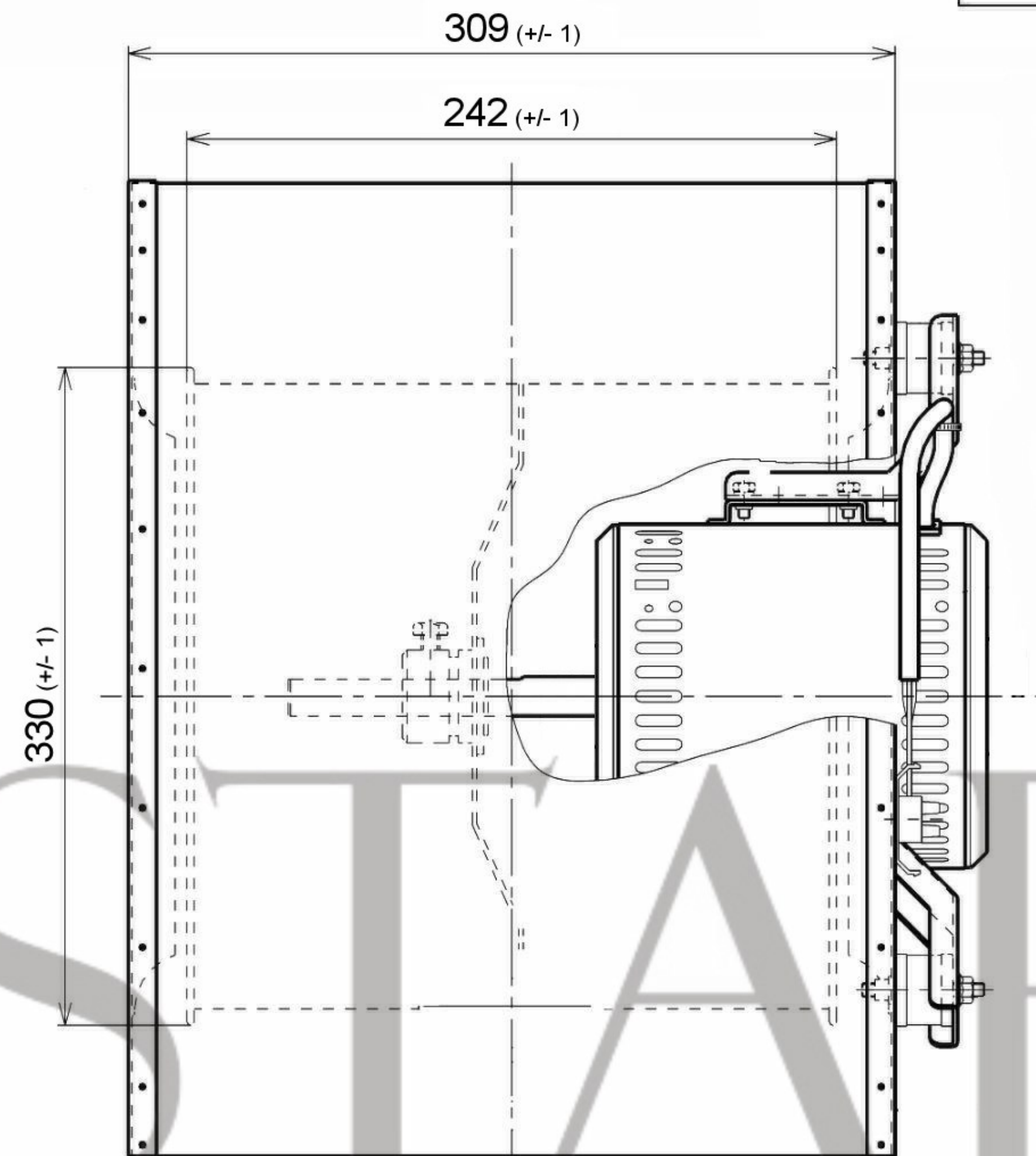


Accessories: DD12F (Mounting Feet)

Accessories: DDF12/9 (Mounting Flange)



Extruded shell motor depicted  
Optional flange fitted

SPECIFICATION					
Motor	PSC	Speed (RPM)	700/800 900	Bearings	Ball
Voltage (V)	220/240	Motor Protection	Th.Prot	Weight (Kg)	
Frequency (Hz)	50/60	Insulation Class	B	Air Volume (M <sup>3</sup> /h)	
Power In/Out (W)		Protection Class	IP42	Noise Level (dBA)	
Current (A)		Capacitor (Mf)		Pressure (Pa)	

**POLE STAR**  
PRODUCTS LIMITED

POLE STAR PRODUCTS LIMITED	
Product Code	<b>DD12/9-S1100/1V-3P</b>
Projection Angle	± 3°
Scale:	A4
Sheet:	1 of 1