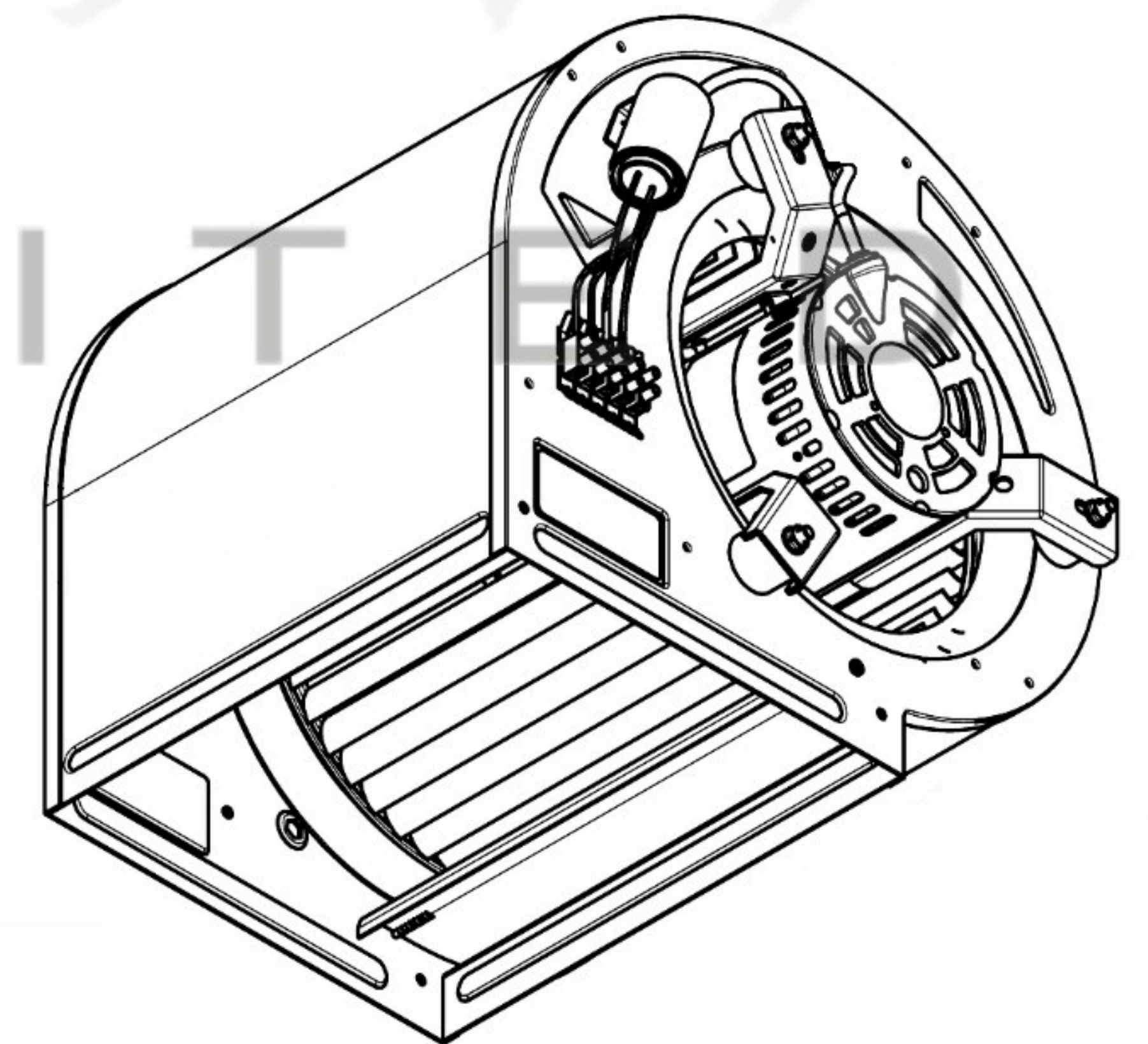
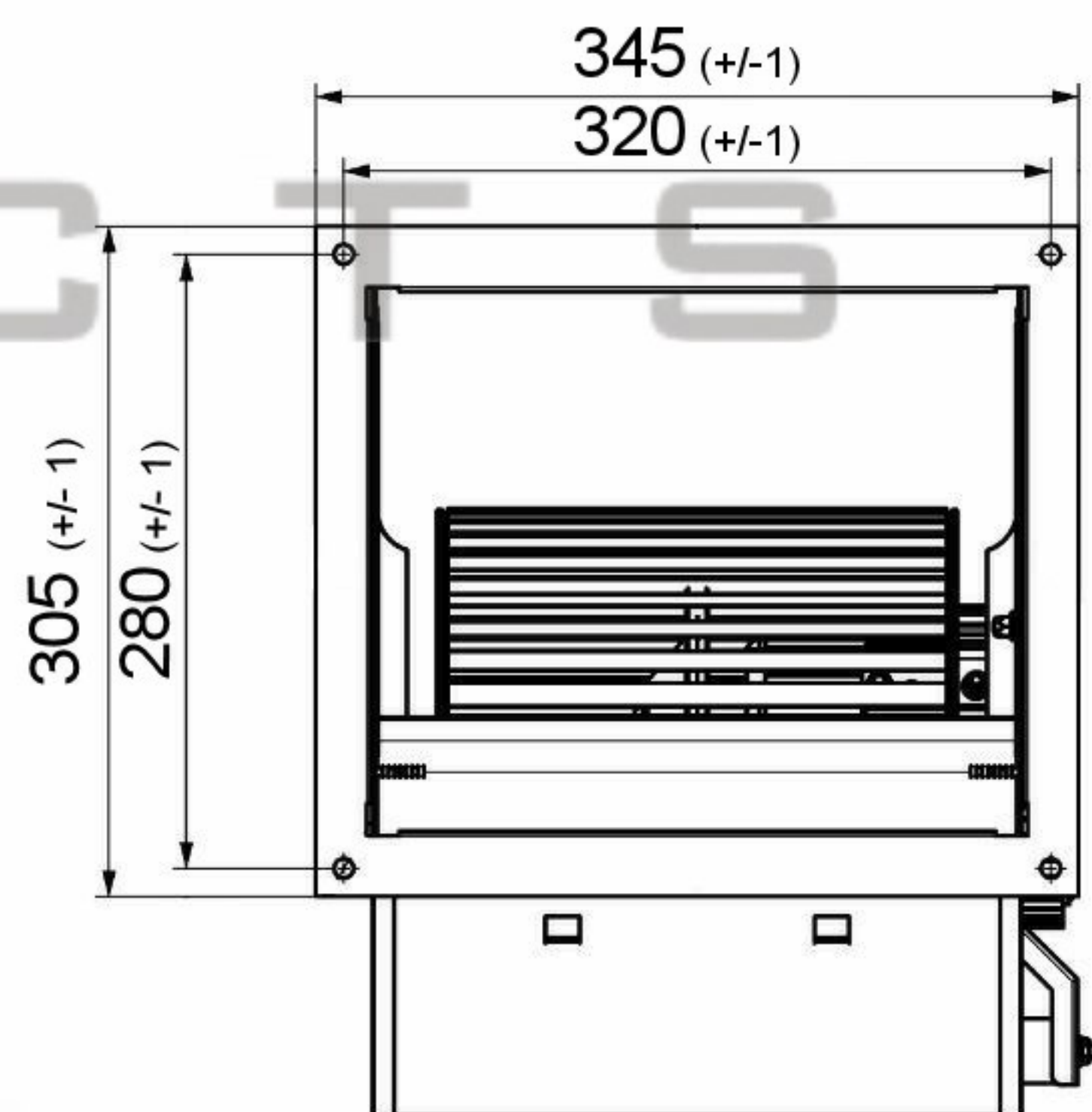
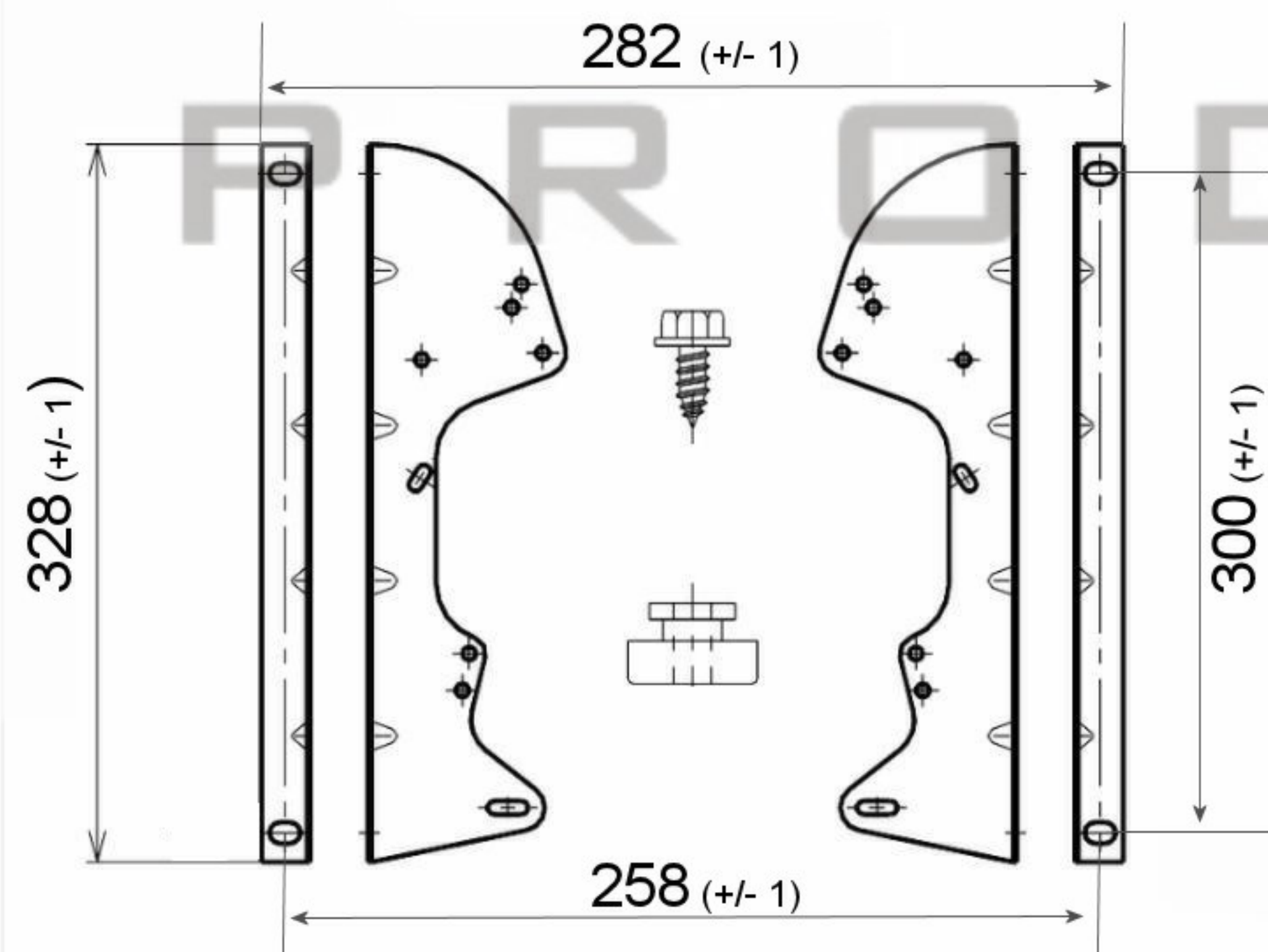


Accessories - DDF9/9(Flange)

Accessories - DD9F (Mounting Feet)



SPECIFICATION					
Motor	PSC	Speed (RPM)	850	Bearings	Ball
Voltage (V)	230/240	Motor Protection	Th.Prot	Weight (Kg)	13.5
Frequency (Hz)	50/60	Insulation Class	B	Air Volume (M³/h)	2350
Power In/Out (W)	270/125	Protection Class	IP42	Noise Level (dBA)	
Current (A)	1.2	Capacitor (Mf)	6.0	Pressure (Pa)	0.00

**POLE STAR**  
PRODUCTS LIMITED

POLE STAR PRODUCTS LIMITED	
Product Code	
<b>DD9/9-S125/1V-1</b>	
Projection Angle	A4
± 3°	Scale:
	Sheet: 1 of