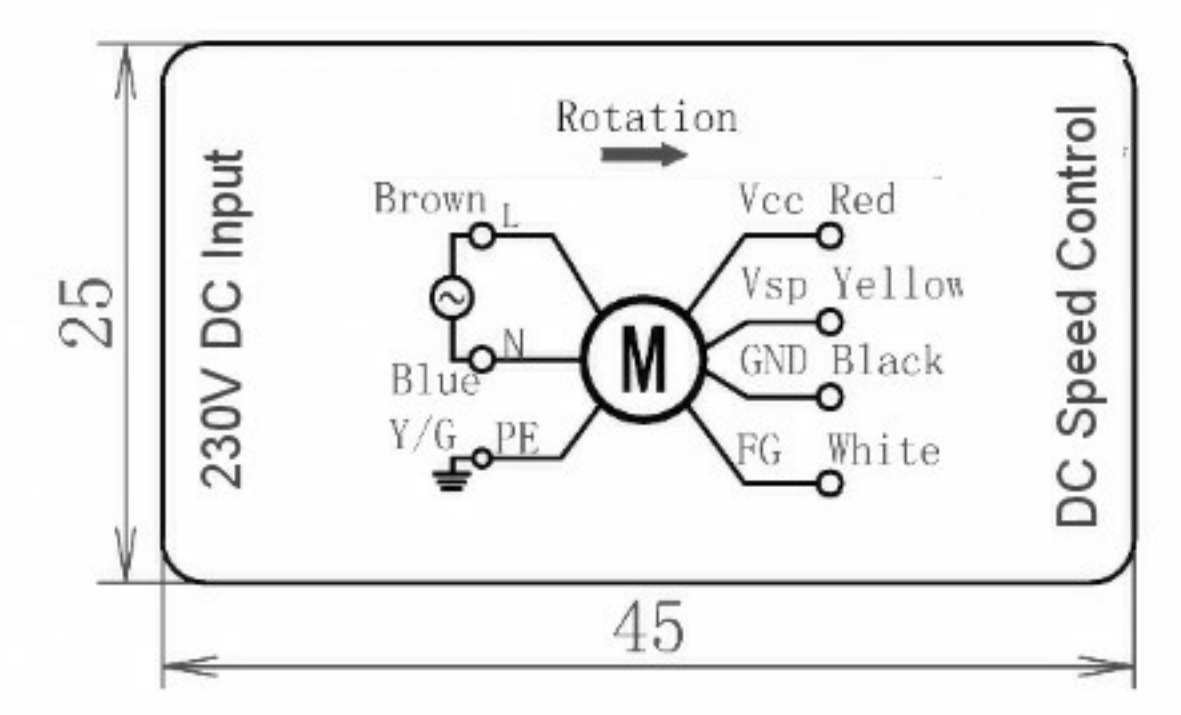


LEAD WIRES ASS'Y ①

	COLOR	SPEC
L	BROWN	AC220V/50Hz
N	BLUE	AC220V/50Hz
PE	YELLOW/GREEN	EARTH

LEAD WIRES ASS'Y ②

	COLOR	SPEC
Vcc	RED	DC10V
Vsp	YELLOW	0-10V/PWM
GND	BLACK	GND
FG	WHITE	1Pulse/R



SPECIFICATION					
Motor	EC	Speed (RPM)	1310	Bearings	Ball
Voltage (V)	230 AC	Motor Protection	Th.Prot.	Weight (Kg)	
Frequency (Hz)	50	Insulation Class	B	Noise (dB)	69
Power In/Out (W)	325	Protection Class	IP42	Temp.Range (°C)	-25 / +60
Current (A)	1.4	Capacitor (MF)			

**POLE STAR**  
PRODUCTS LIMITED

POLE STAR PRODUCTS LIMITED	
Product Code	<b>GMA1-450S-EC</b>
Projection Angle	± 3°
Scale:	A4
Sheet:	1 of 1