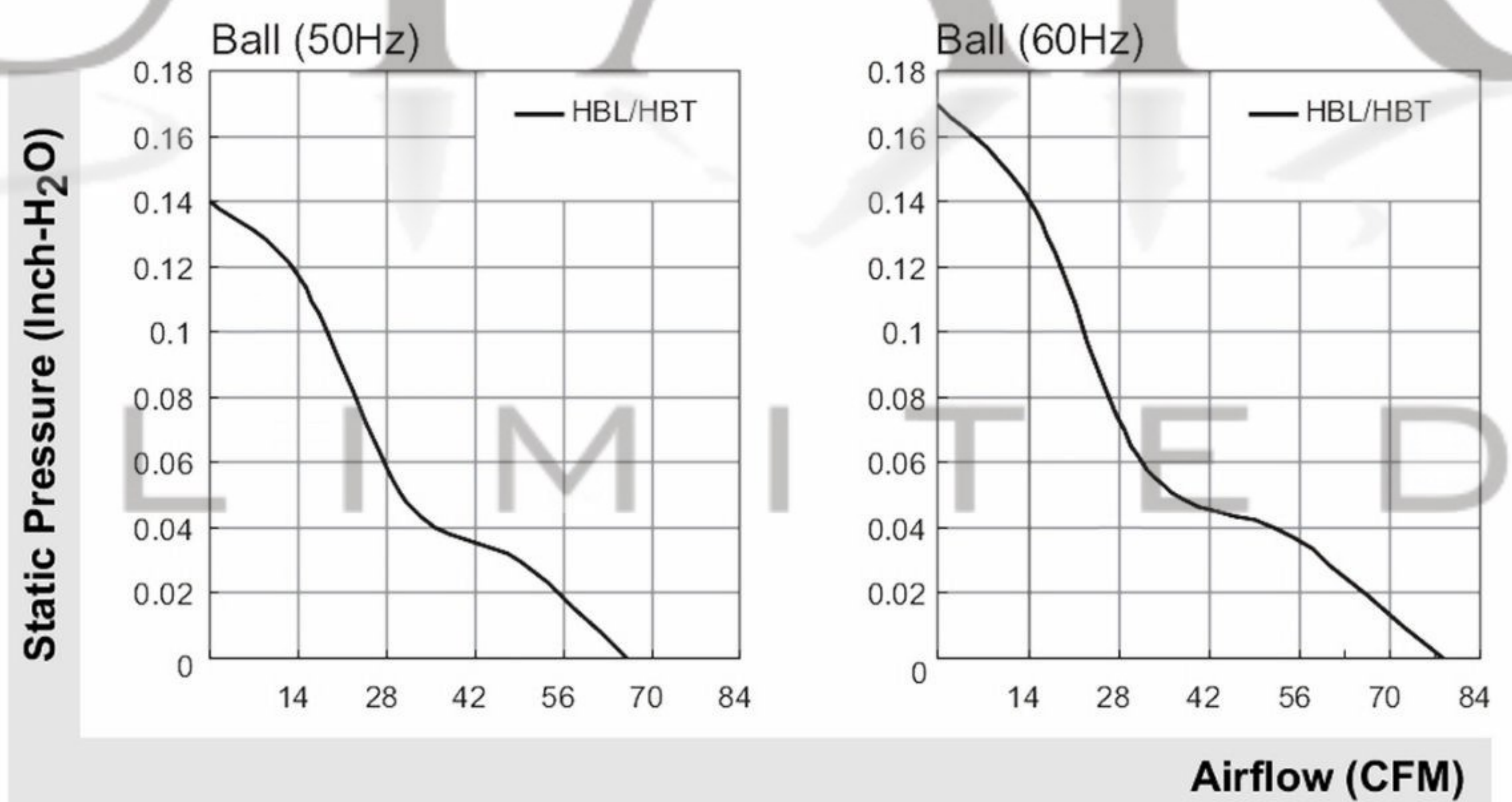
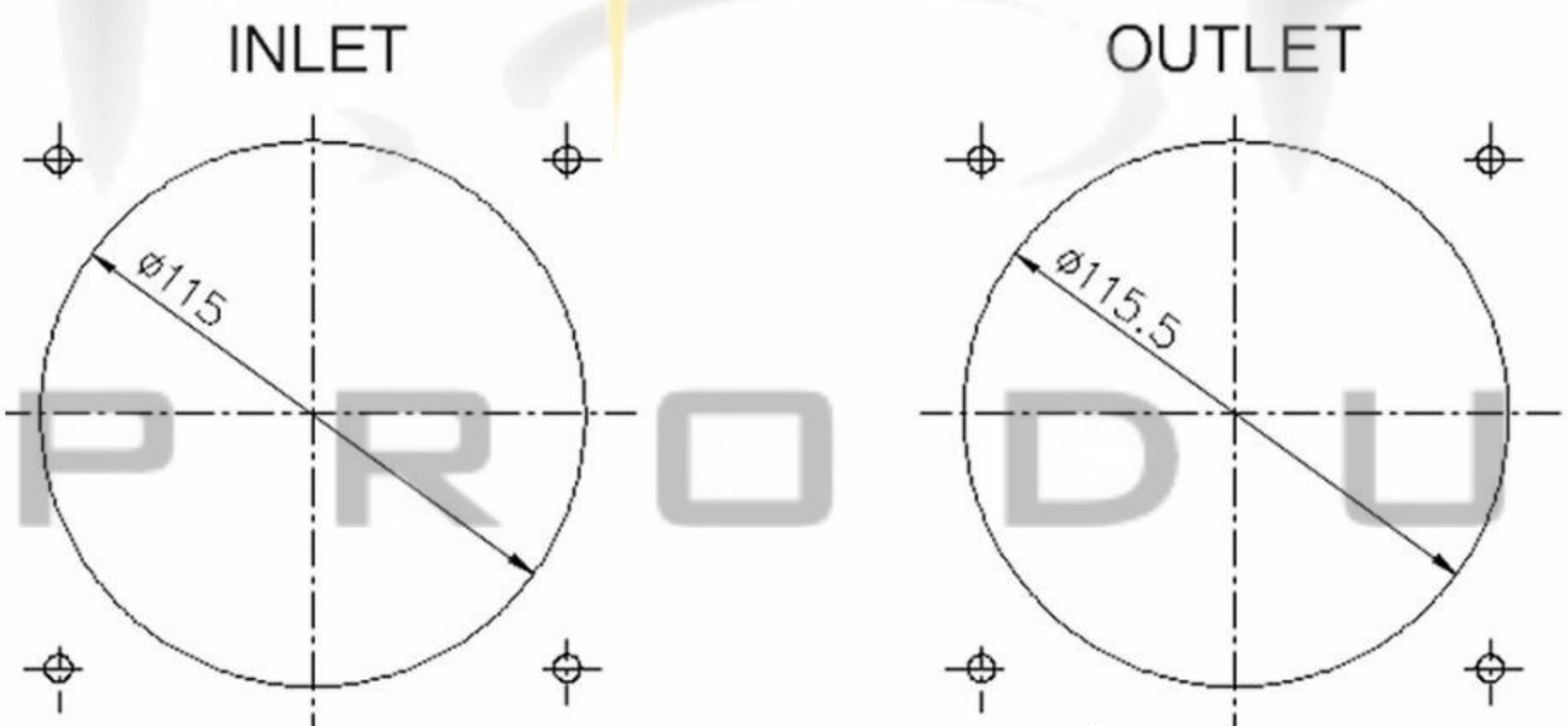
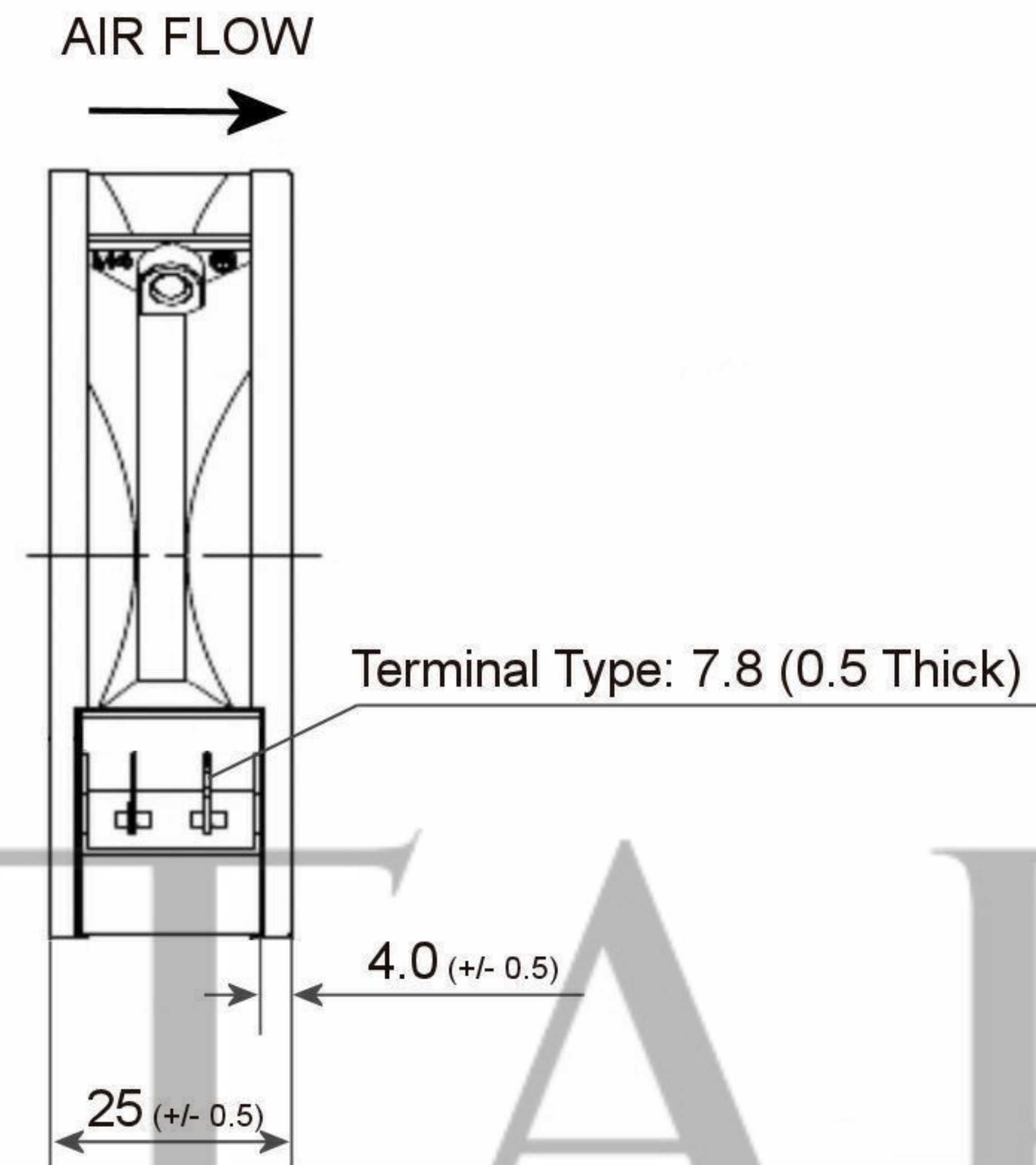
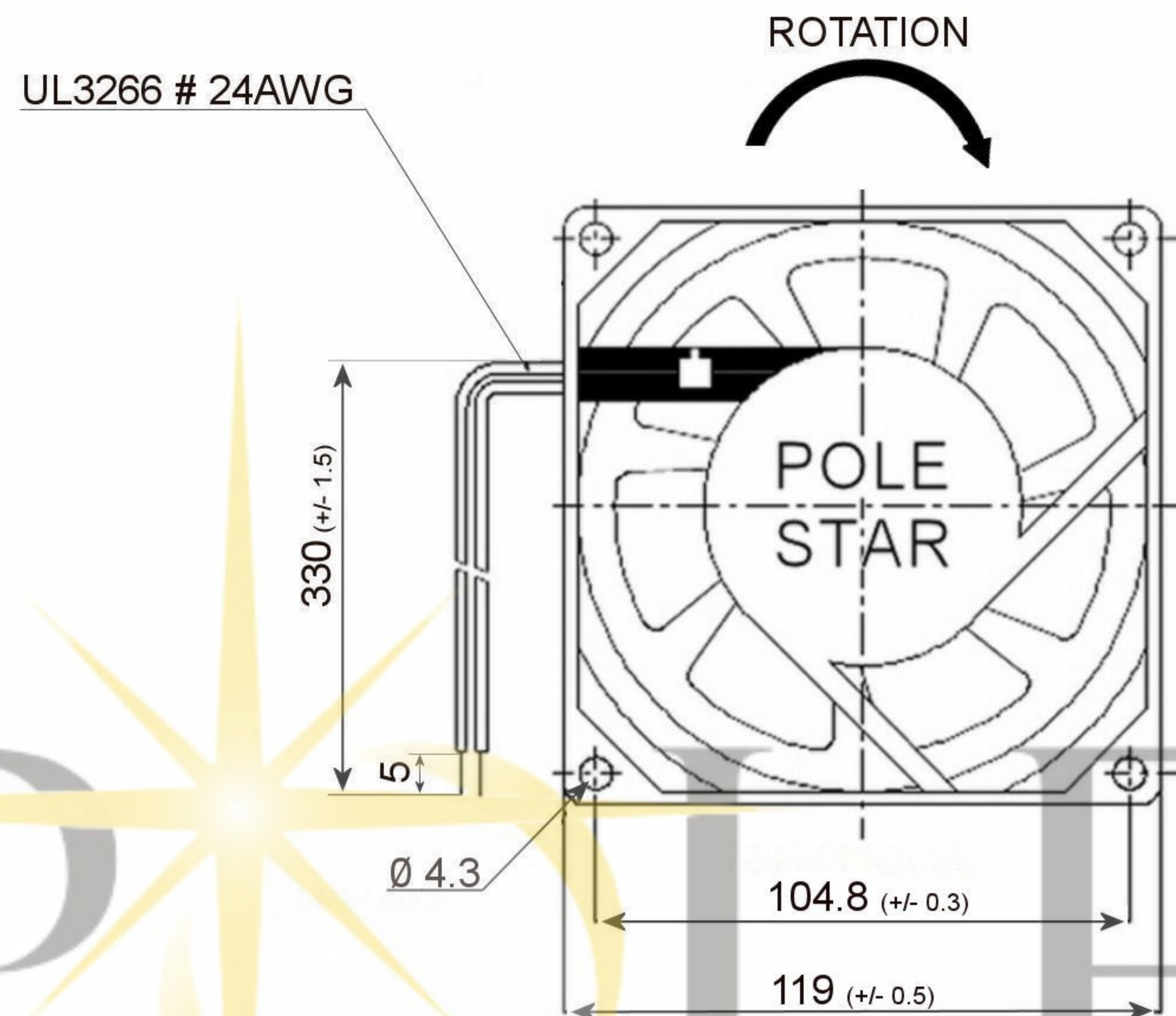


Manufactured with either terminal pins or flying leads

Drawing Version 01



- NMB Ball Bearing
- Temperature Rating: -40 °C to +65 °C

SPECIFICATION					
Motor	SP	Speed (RPM)	2150/2500	Bearings	Ball
Voltage (V)	220/240	Motor Protection	Imp.Prot	Weight (g)	330
Frequency (Hz)	50/60	Insulation Class	B	Air Volume (CFM)	66/80
Power In (Watts)	19/18	Protection Class	IP24	Noise Level (dBA)	44/48
Current (A)	0.10/0.09			Pressure (Inch-H ₂ O)	0.14/0.17

POLE STAR
PRODUCTS LIMITED

POLE STAR PRODUCTS LIMITED	
Product Code	PS1225BT-1
Projection Angle ± 3°	A4
	Scale: Sheet: 1 of