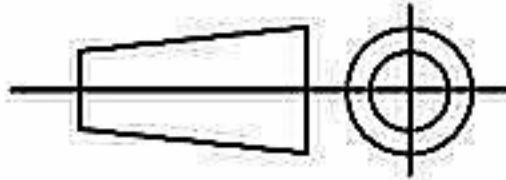


SPECIFICATION

Motor	Speed (RPM)	Bearings
Voltage (V)	Motor Protection	Weight (Kg)
Frequency (Hz)	Insulation Class	Air Volume (M ³ /h)
Power In/Out (W)	Protection Class	Noise Level (dBA)
Current (A)	Capacitor (Mf)	Pressure (Pa)

POLE STAR
PRODUCTS LIMITED

POLE STAR PRODUCTS LIMITED	
Product Code	RB-230M
Projection Angle ± 3°	
	A4
	Scale: Sheet: 1 of