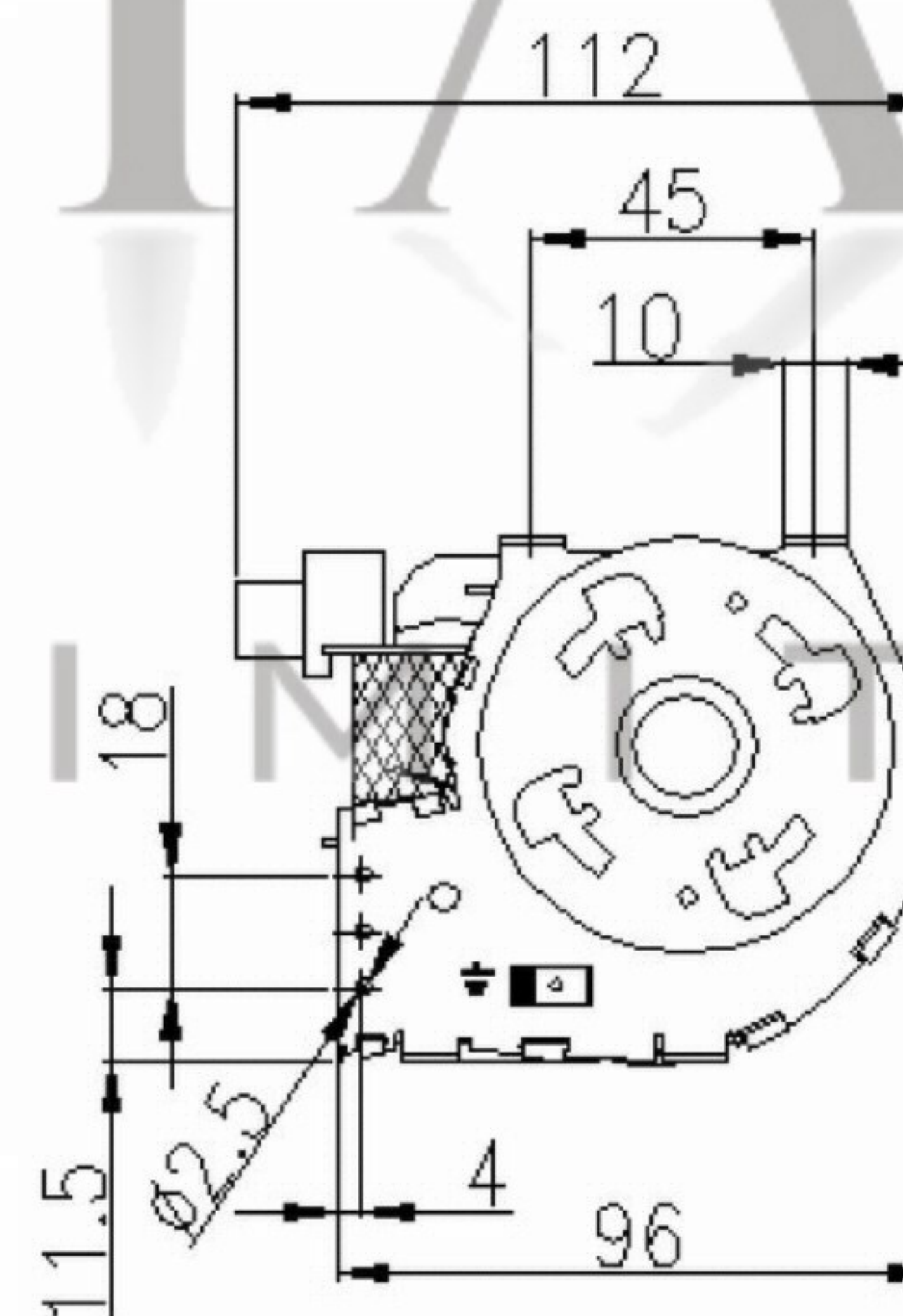
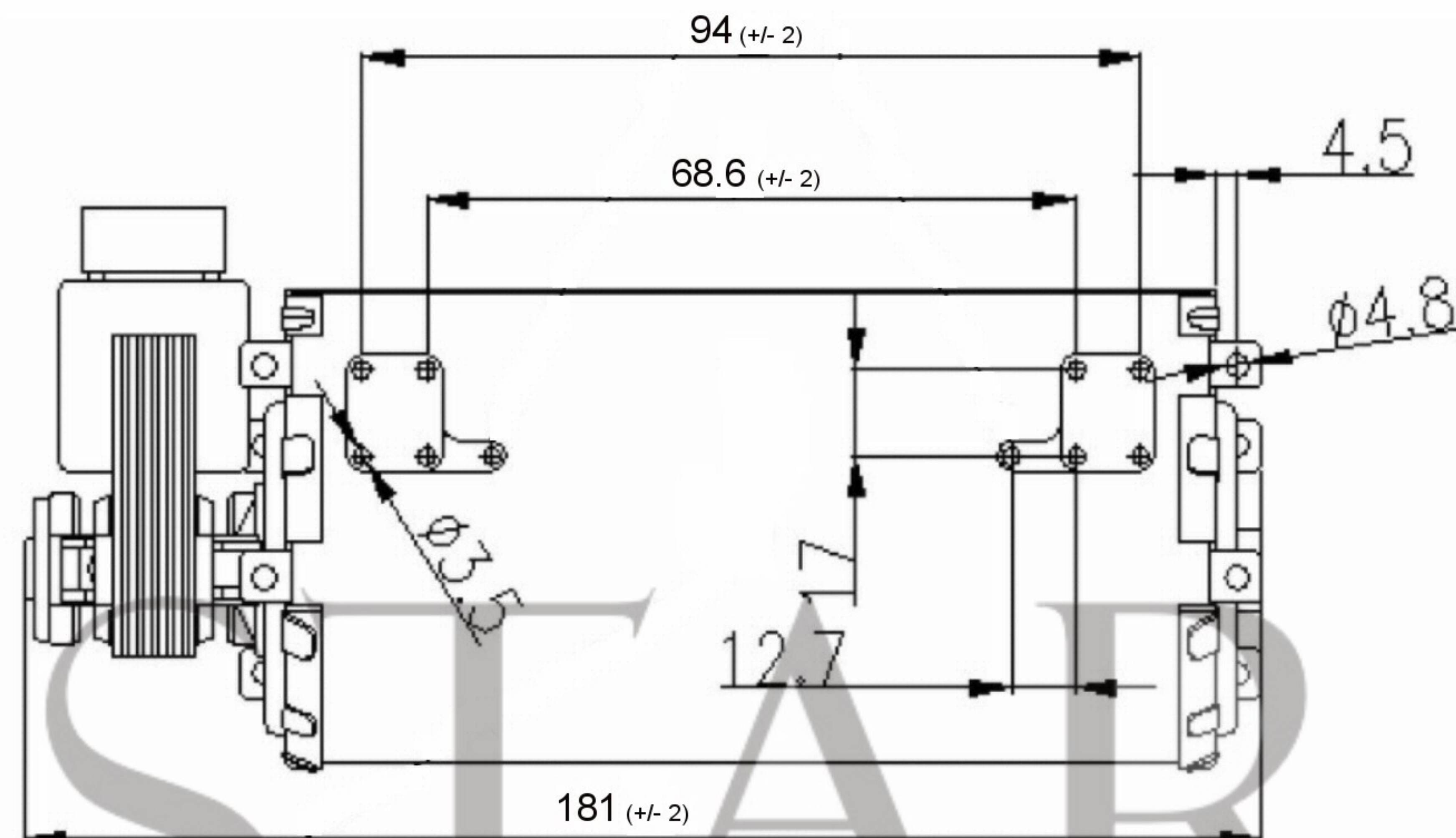
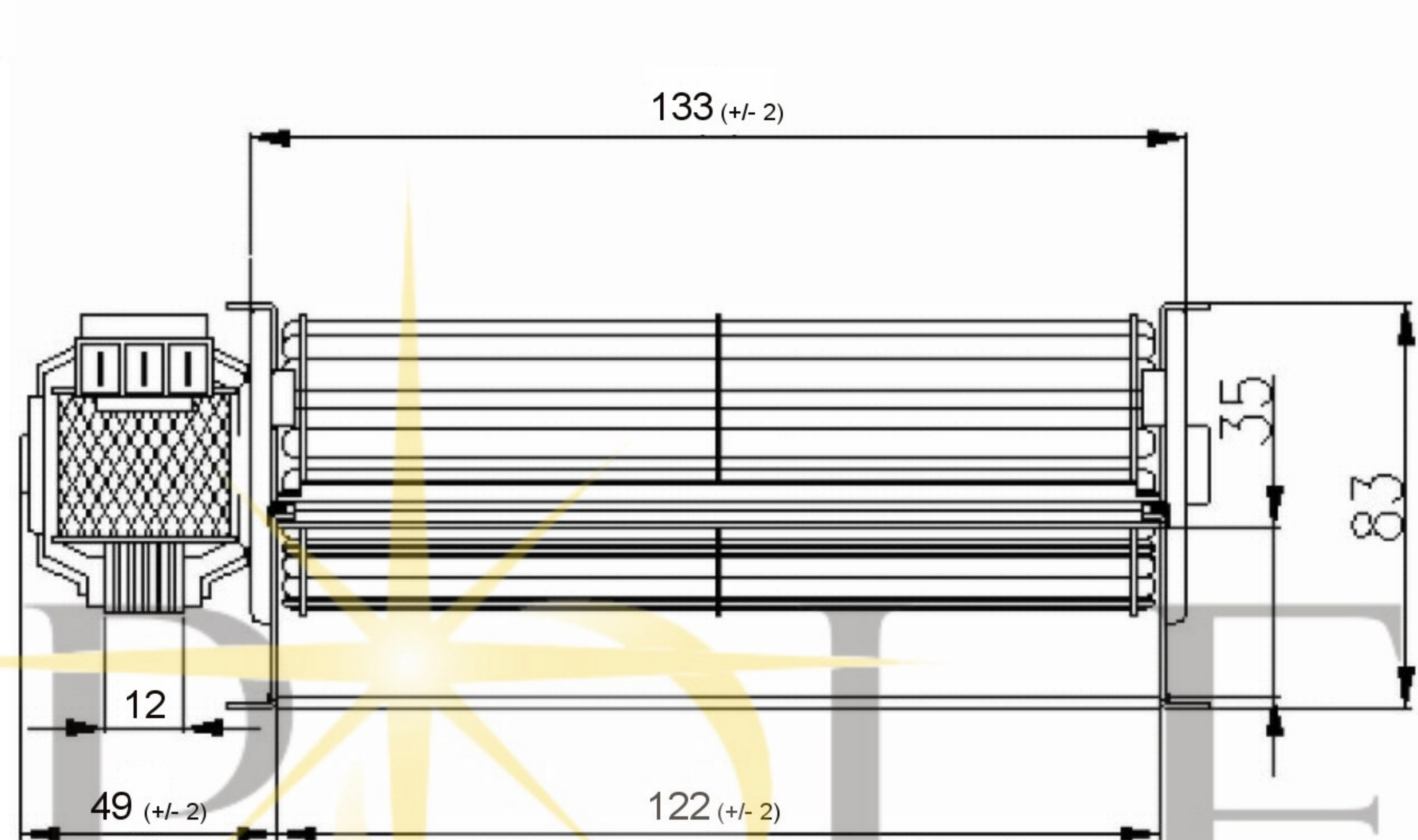
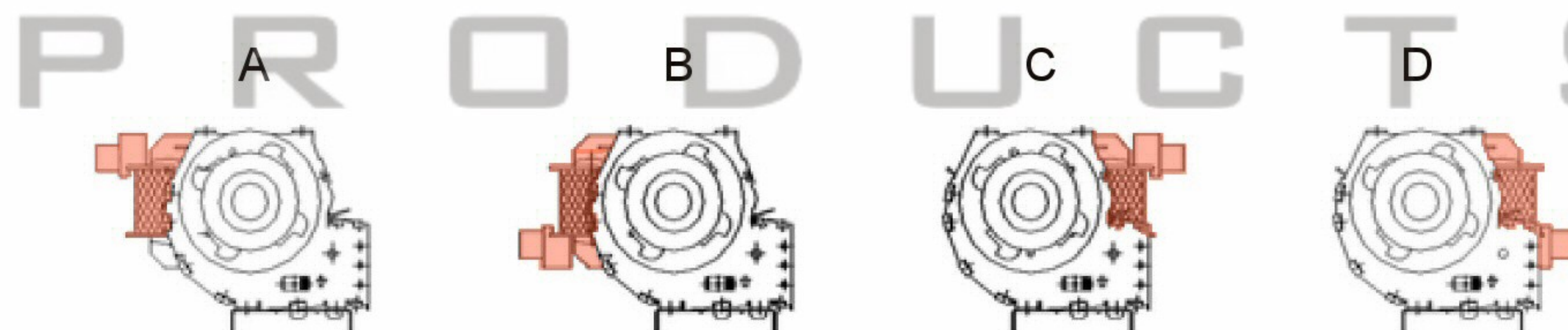


Model shown is left hand motor



Fan Motor Mounting Positions



| SPECIFICATION | Temp. Range: 0°C to + 60°C | | | | |
|------------------|----------------------------|------------------|----------|-------------------|--------|
| Motor | SHP | Speed (RPM) | 1600 | Bearings | Sleeve |
| Voltage (V) | 230/240 | Motor Protection | Imp.Prot | Weight (Kg) | 0.8 |
| Frequency (Hz) | 50 | Insulation Class | F | Air Volume (M³/h) | 85 |
| Power In/Out (W) | 19 | Protection Class | IP20 | Noise Level (dBA) | |
| Current (A) | | Capacitor (Mf) | N/A | Max Pressure (Pa) | 57 |

POLE STAR
PRODUCTS LIMITED

| | |
|----------------------------|--------------------|
| POLE STAR PRODUCTS LIMITED | |
| Product Code | TAS12-12 |
| Projection Angle | ± 3° |
| | |
| | A4 |
| | Scale: Sheet: 1 of |