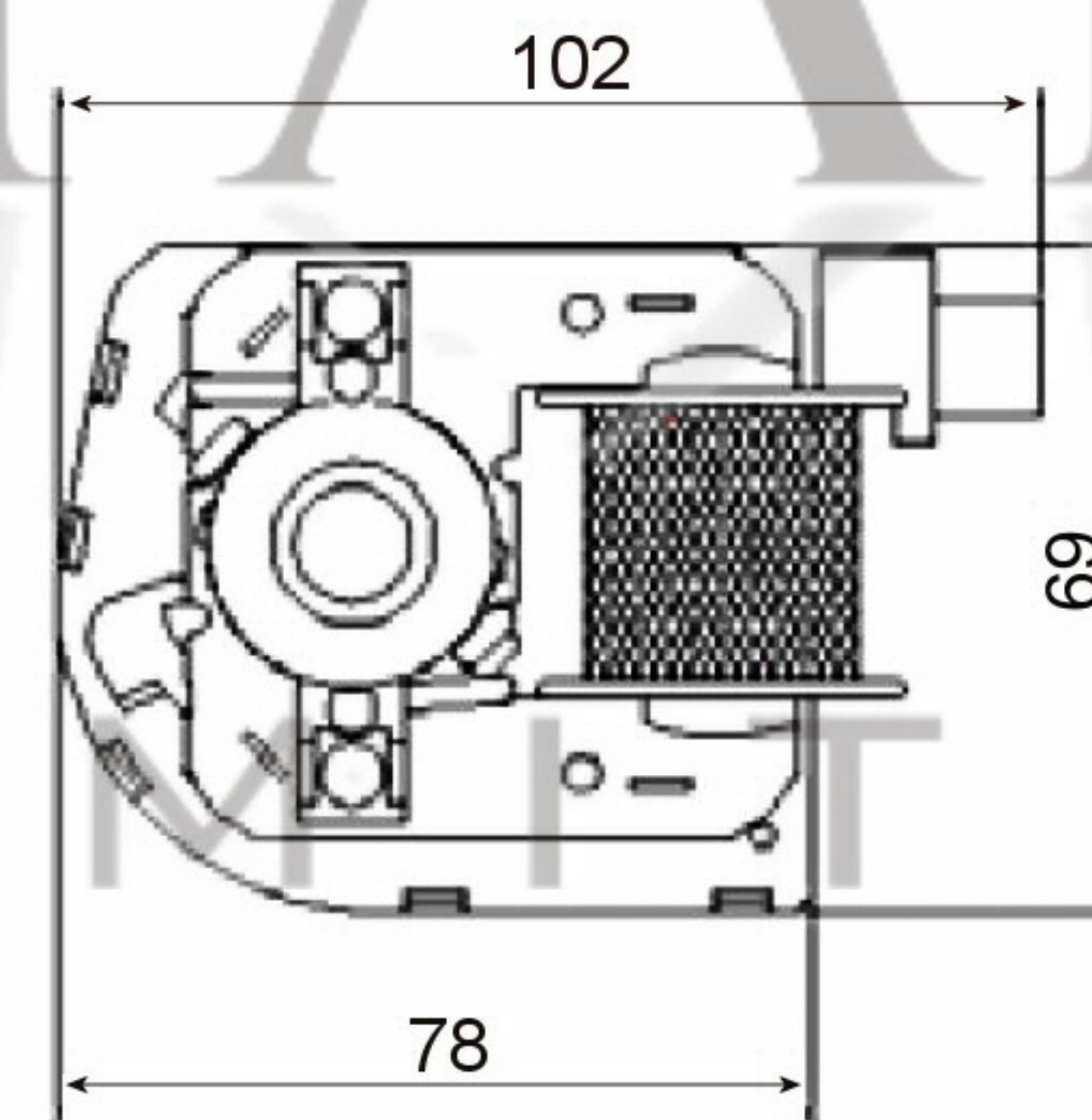
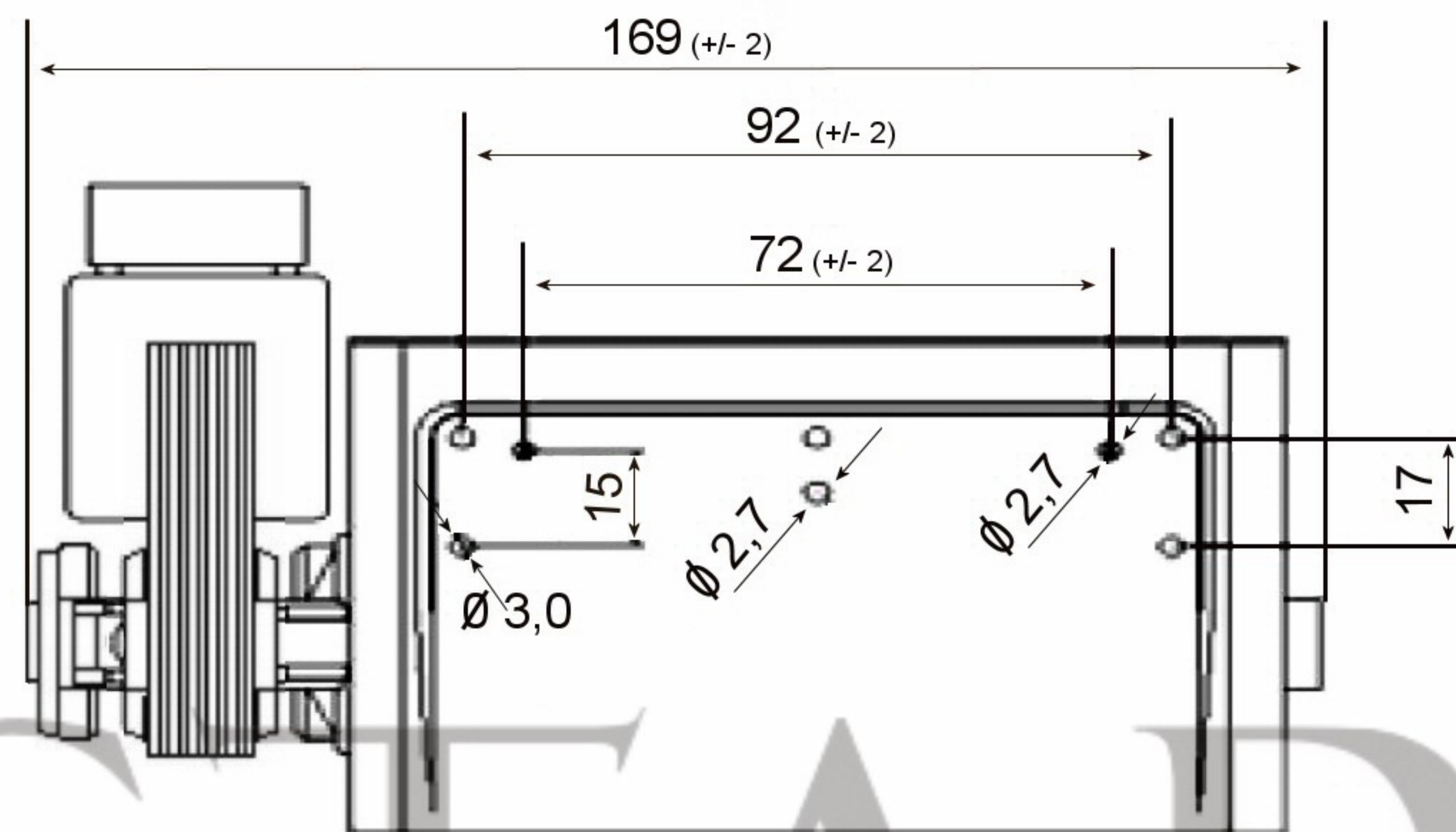
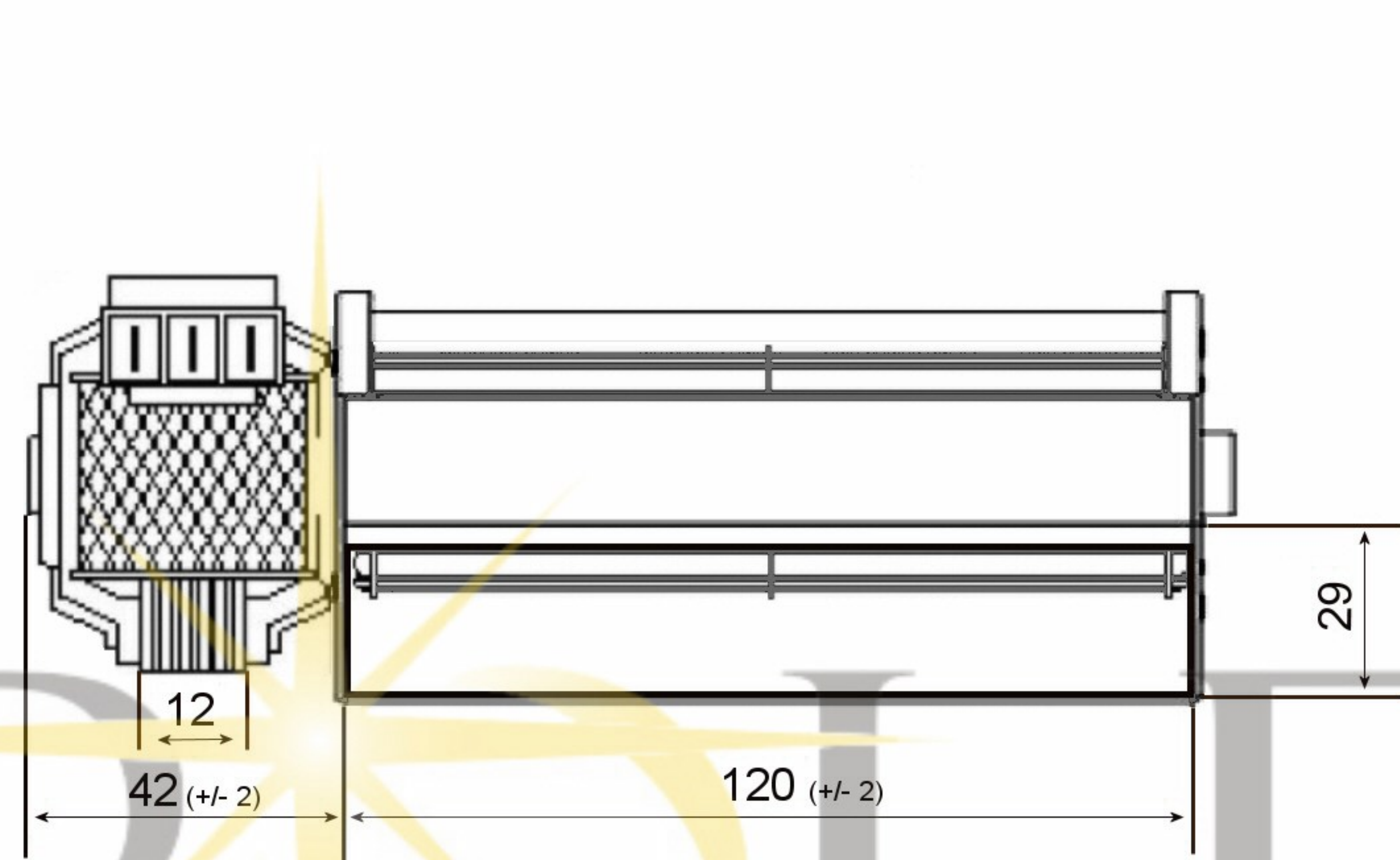
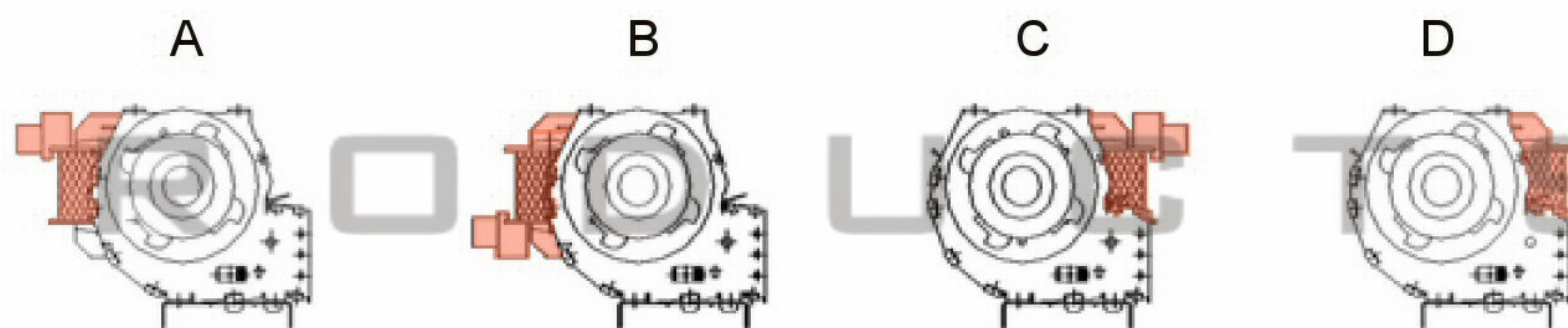


Model shown is left hand motor

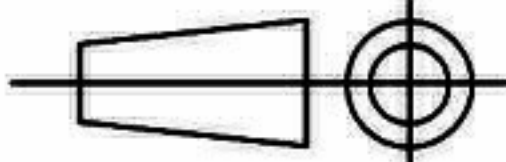


Fan Motor Mounting Positions



SPECIFICATION	Temp. Range: 0°C to + 60°C				
Motor	SP	Speed (RPM)	2310	Bearings	Sleeve
Voltage (V)	230/240	Motor Protection	Imp. Prot	Weight (Kg)	0.75
Frequency (Hz)	50	Insulation Class	F	Air Volume (M <sup>3</sup> /h)	75
Power In/Out (W)	25	Protection Class	IP20	Noise Level (dBA)	
Current (A)		Capacitor (Mf)	N/A	Max Pressure (Pa)	24

**POLE STAR**  
PRODUCTS LIMITED

POLE STAR PRODUCTS LIMITED	
Product Code	<b>TBS12</b>
Projection Angle ± 3°	
	A4
	Scale:
	Sheet: 1 of