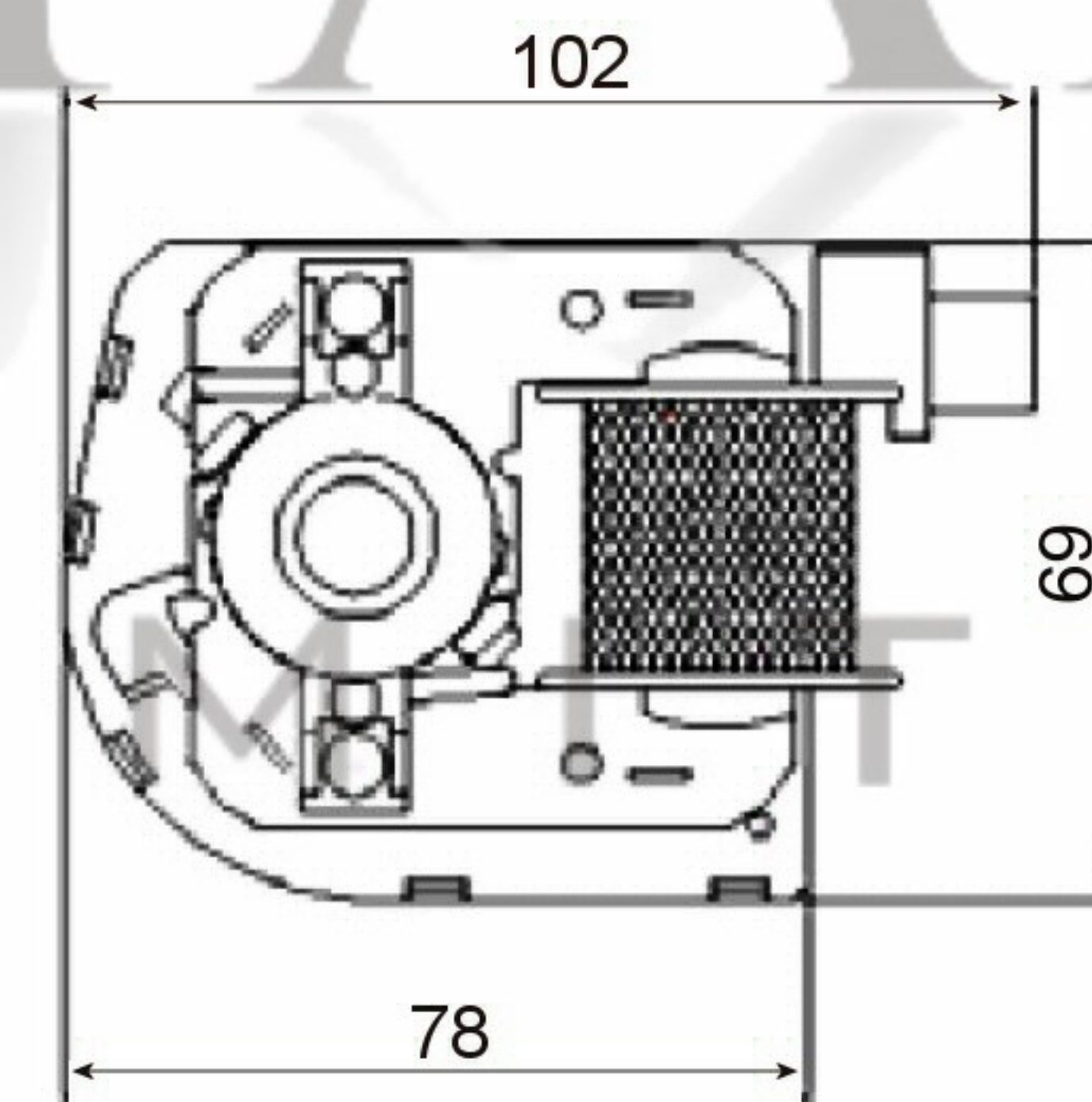
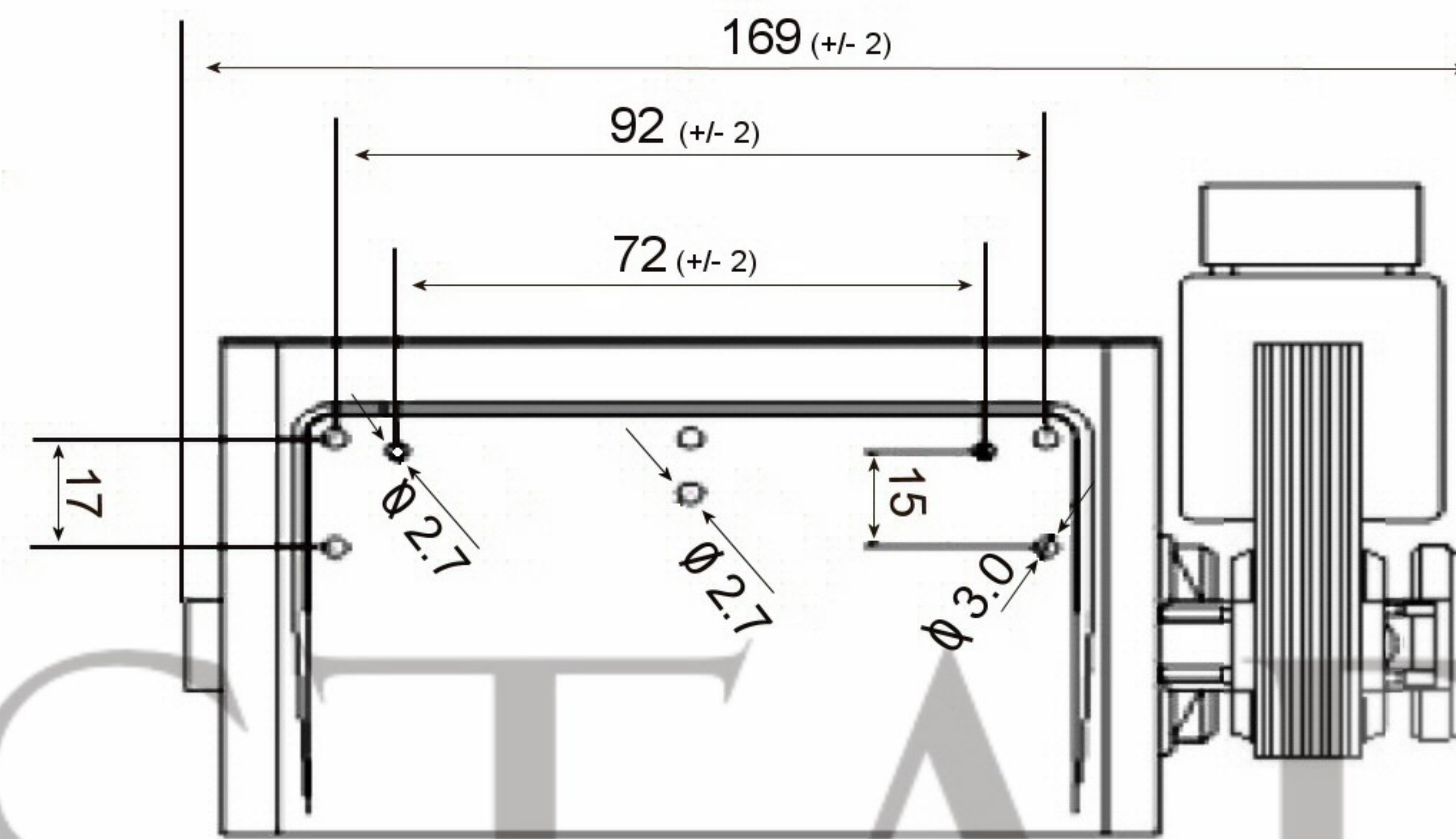
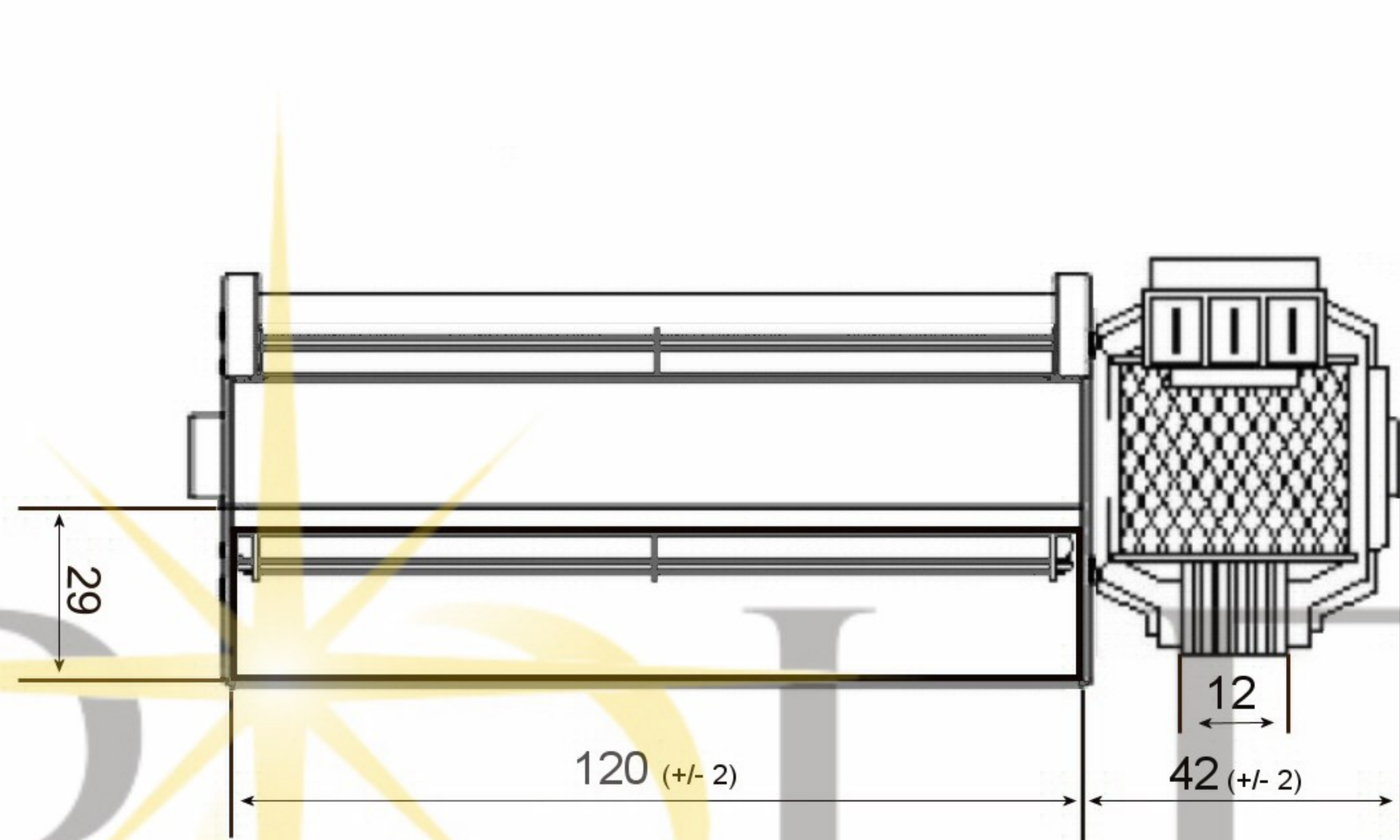
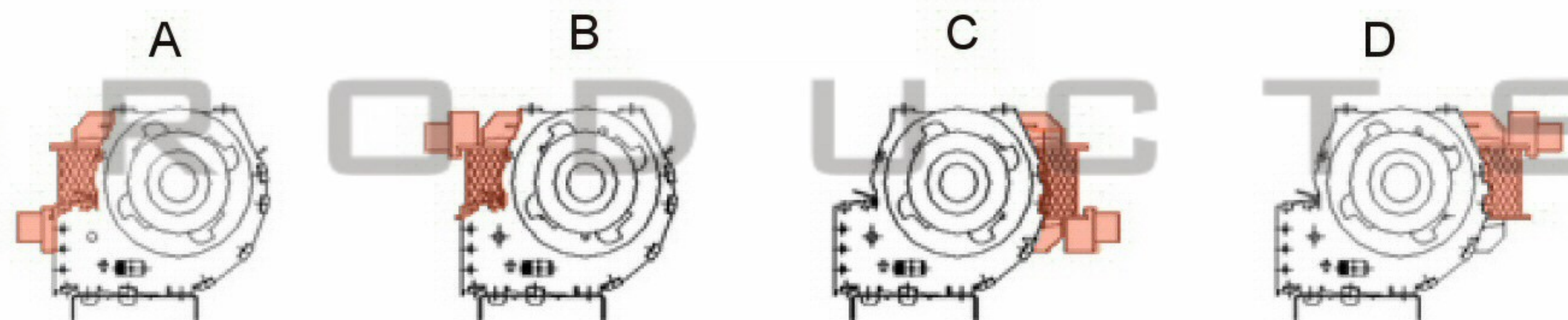


Model shown is right hand motor

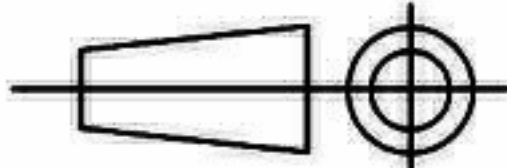


Fan Motor Mounting Positions



SPECIFICATION	Temp. Range: 0°C to + 60°C				
Motor	SP	Speed (RPM)	2310	Bearings	Sleeve
Voltage (V)	230/240	Motor Protection	Imp. Prot	Weight (Kg)	0.75
Frequency (Hz)	50	Insulation Class	F	Air Volume (M³/h)	75
Power In/Out (W)	25	Protection Class	IP20	Noise Level (dBA)	
Current (A)		Capacitor (Mf)	N/A	Max Pressure (Pa)	24

POLE STAR
PRODUCTS LIMITED

POLE STAR PRODUCTS LIMITED	
Product Code	TBS12(R)
Projection Angle ± 3°	
	A4
	Scale: Sheet: 1 of