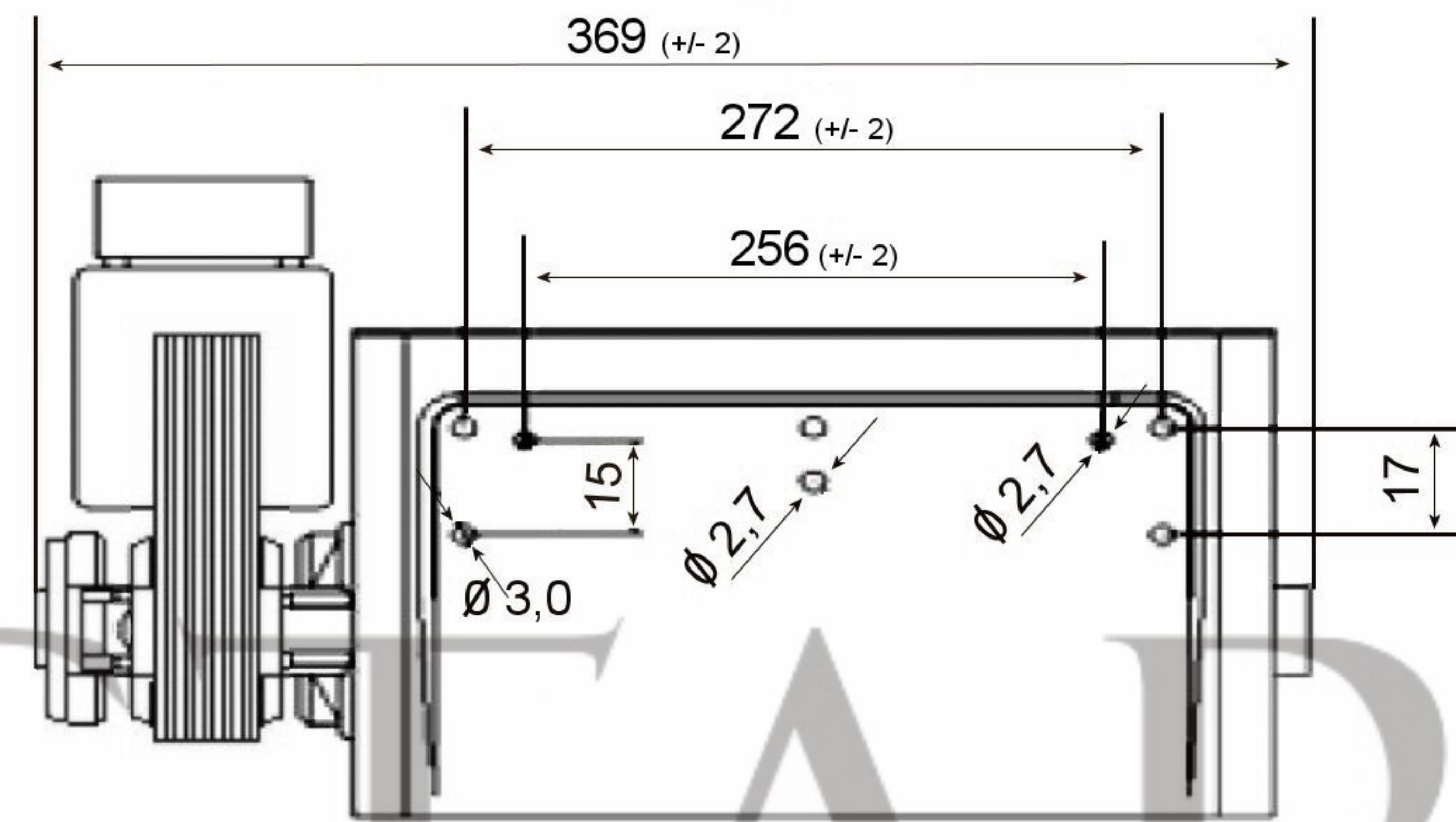
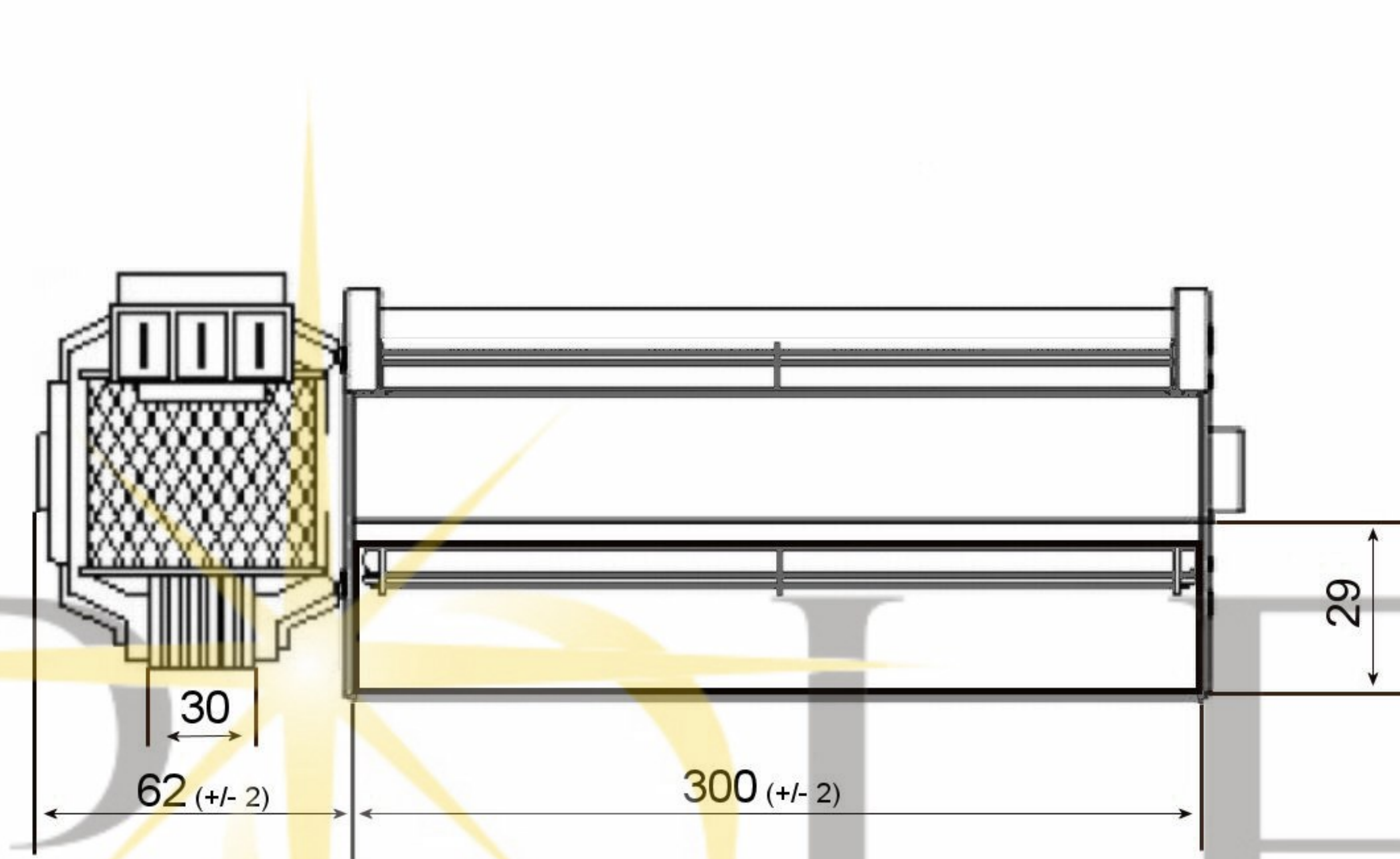
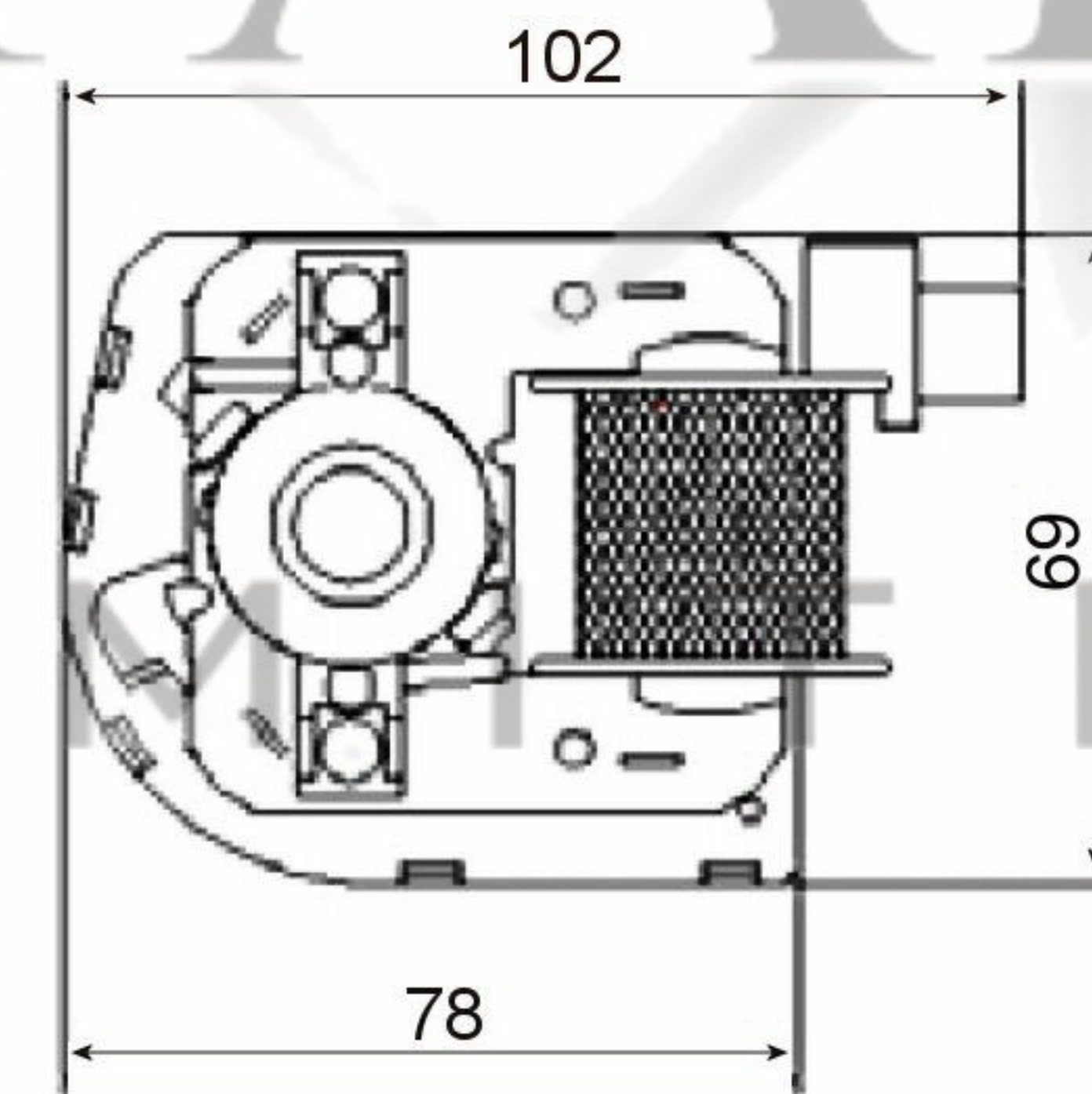
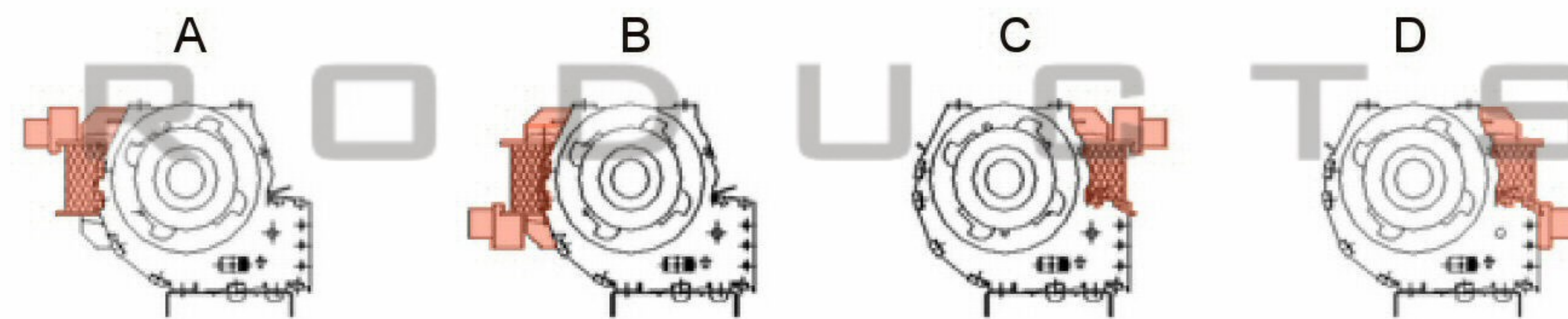


Model shown is left hand motor

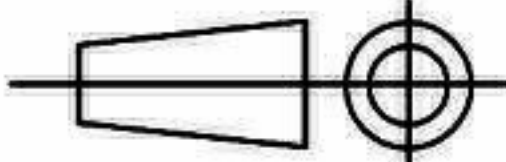


Fan Motor Mounting Positions



| SPECIFICATION    | Temp. Range: 0°C to + 60°C |                  |           |                                |        |
|------------------|----------------------------|------------------|-----------|--------------------------------|--------|
| Motor            | SP                         | Speed (RPM)      | 2370      | Bearings                       | Sleeve |
| Voltage (V)      | 230/240                    | Motor Protection | Imp. Prot | Weight (Kg)                    | 0.85   |
| Frequency (Hz)   | 50                         | Insulation Class | F         | Air Volume (M <sup>3</sup> /h) | 195    |
| Power In/Out (W) | 35                         | Protection Class | IP20      | Noise Level (dBA)              |        |
| Current (A)      |                            | Capacitor (Mf)   | N/A       | Max Pressure (Pa)              | 34     |

**POLE STAR**  
PRODUCTS LIMITED

| POLE STAR PRODUCTS LIMITED |   |
|----------------------------|---|
| Product Code               | <b>TBS30</b>  |
| Projection Angle<br>± 3°   |  |
|                            | A4  |
|                            | Scale:<br>Sheet: 1 of   |