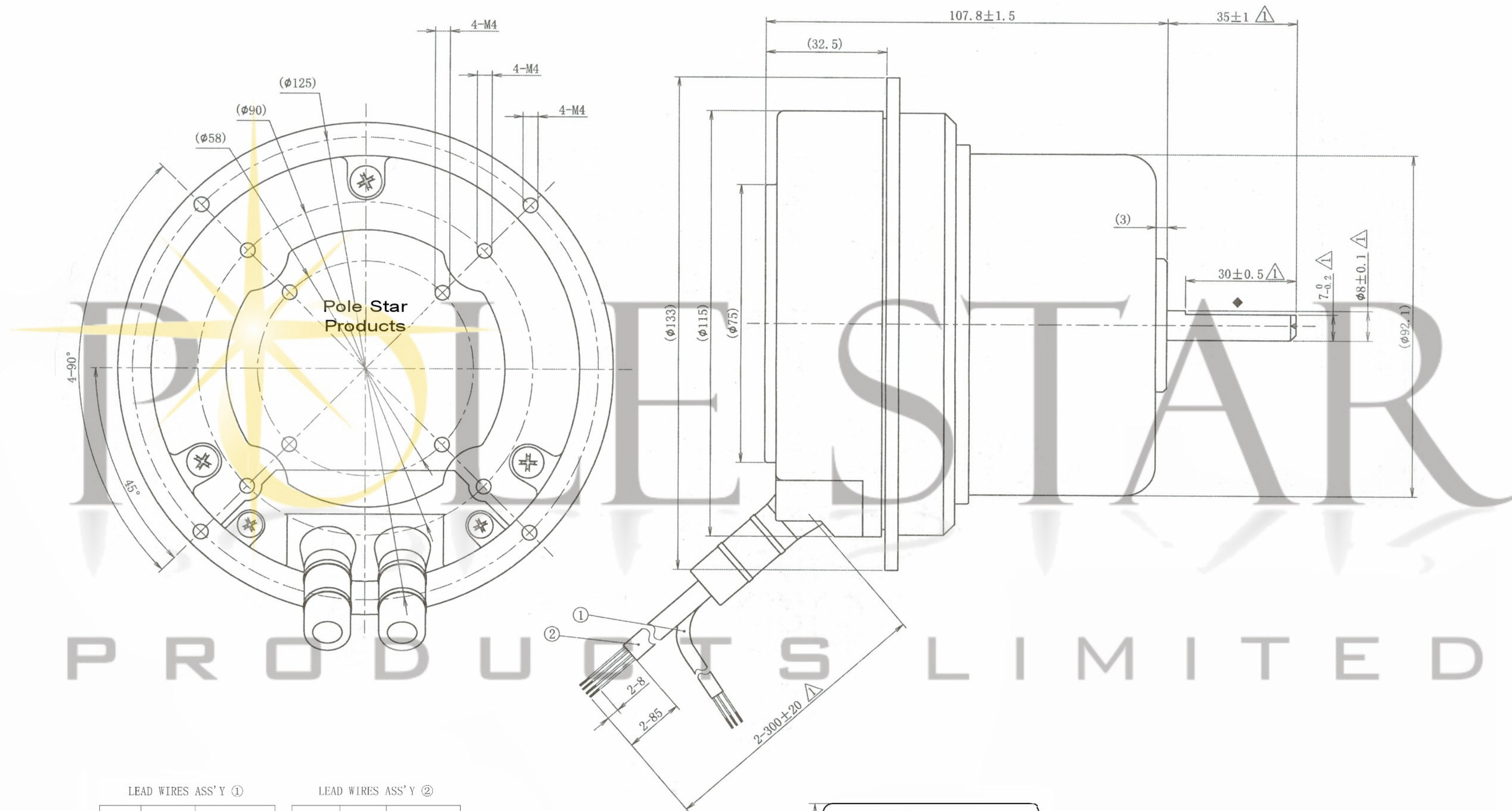


Rotation CW shaft end

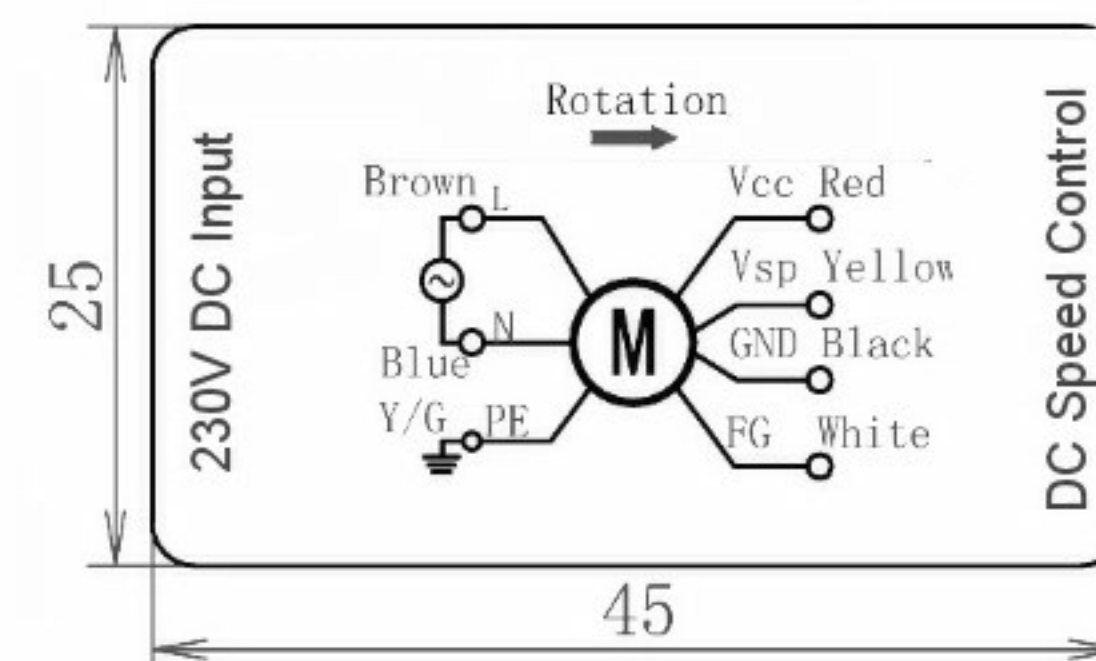


LEAD WIRES ASS'Y ①

	COLOR	SPEC
L	BROWN	AC220V/50Hz
N	BLUE	AC220V/50Hz
PE	YELLOW/GREEN	EARTH

LEAD WIRES ASS'Y ②

	COLOR	SPEC
Vcc	RED	DC10V
Vsp	YELLOW	0-10V/PWM
GND	BLACK	GND
FG	WHITE	1Pulse/R



SPECIFICATION

Motor	EC	Speed (RPM)	1370 max	Bearings	Ball
Voltage (V)	230V AC	Motor Protection	Th.Prot.	Weight (Kg)	2kg
Frequency (Hz)	50	Insulation Class	B		
Power In/Out (W)	100	Protection Class	IP42	Amb. Temp	-30/+60
Current (A)	1.2	Capacitor (MF)	N/A		

POLE STAR
PRODUCTS LIMITED

POLE STAR PRODUCTS LIMITED	
Product Code	
XRM1-FS100-EC	
Projection	A4
Angle	Scale:
± 3°	Sheet: 1 of