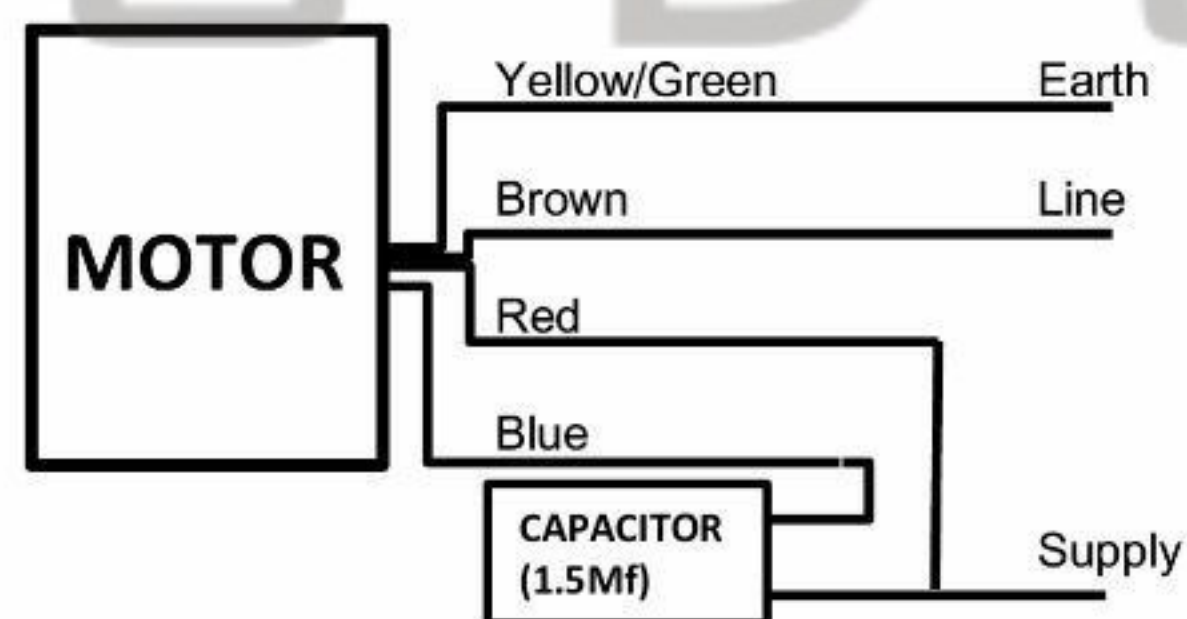
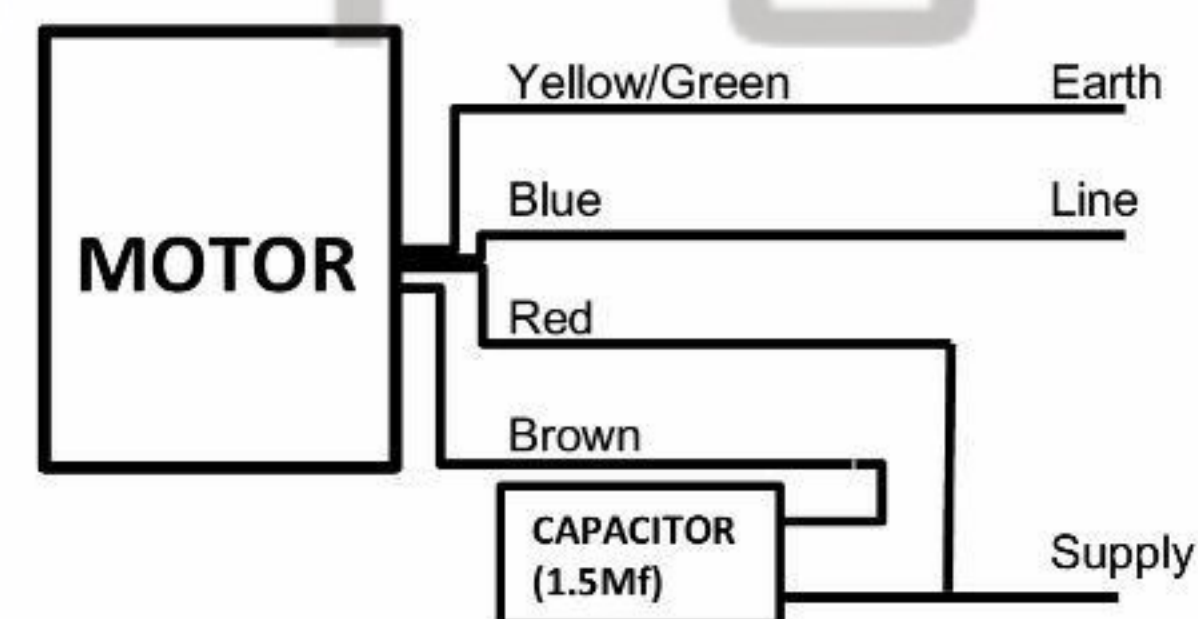


ANTI-CLOCKWISE ROTATION



CLOCKWISE ROTATION



| SPECIFICATION  |         |                  |         |                   |         |
|----------------|---------|------------------|---------|-------------------|---------|
| Motor          | PSC     | Speed (RPM)      | 1380    | Bearings          | Ball    |
| Voltage (V)    | 220/240 | Motor Protection | Th.Prot | Weight (Kg)       | 3.0     |
| Frequency (Hz) | 50      | Insulation Class | B       | Temp. Rating (°C) | -30/+60 |
| Power Out (W)  | 30      | Protection Class | IP42    | Noise Level (dBA) |         |
| Current (A)    | 0.4     | Capacitor (Mf)   | 1.5     | Pressure (Pa)     |         |

**POLE STAR**  
PRODUCTS LIMITED

| POLE STAR PRODUCTS LIMITED |  |
|----------------------------|--|
| Product Code               | <b>XRM1-FS30-1</b>   |
| Projection Angle<br>± 3°   |  A4 |
|                            | Scale:<br>Sheet: 1 of  |