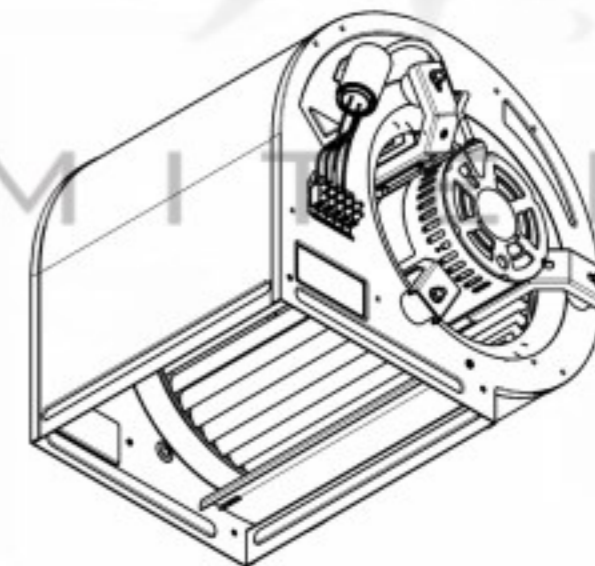
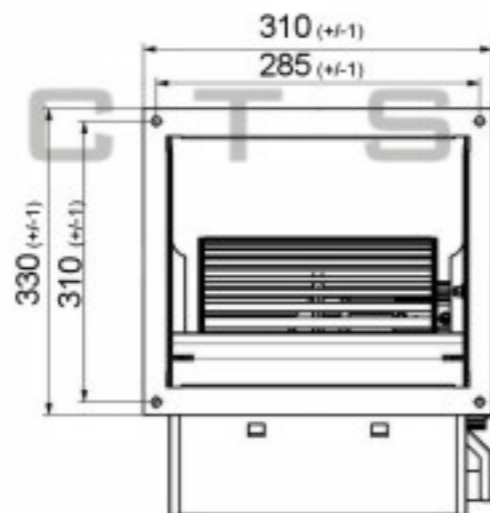
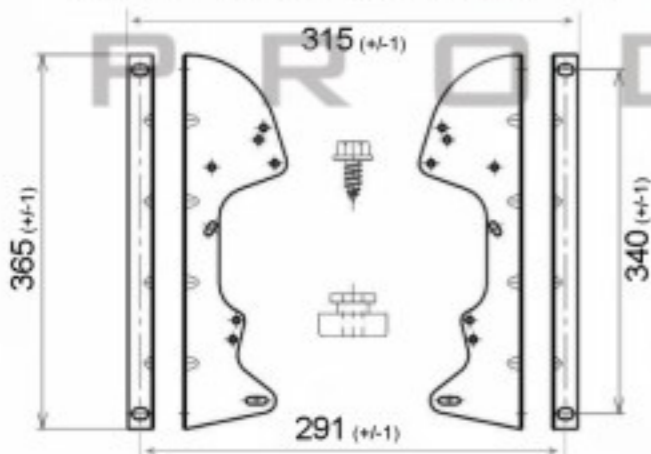


Accessories: DDF10/8 (Flange)

Accessories: DD10F (Mounting Feet)



SPECIFICATION

Motor	PSC	Speed (RPM)		Bearings	Ball
Voltage (V)	220/240	Motor Protection	Th.Prot	Weight (Kg)	15.0
Frequency (Hz)	50/60	Insulation Class	B	Air Volume (M <sup>3</sup> /h)	2500
Power In/Out (W)	335	Protection Class	IP42	Noise Level (dBA)	
Current (A)	2.6	Capacitor (Mf)	8.0	Pressure (Pa)	49

**POLE STAR**  
PRODUCTS LIMITED

POLE STAR PRODUCTS LIMITED

Product Code  
**DD10/8-S335/1V-1**

Projection  
Angle  
± 3°



A4  
Scale:  
Sheet: 1 of