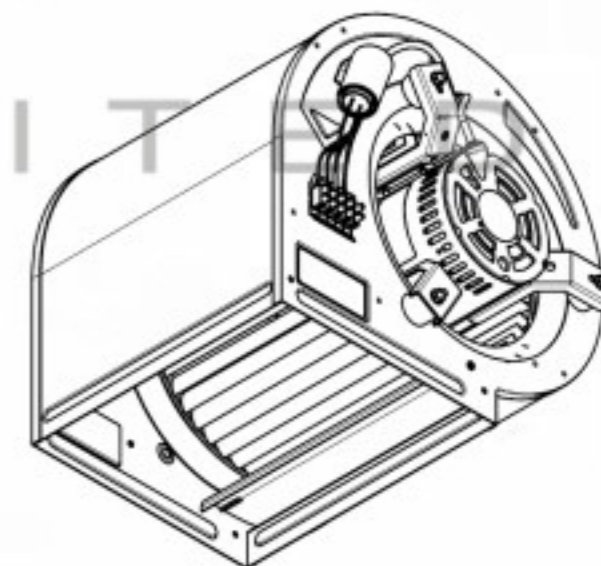
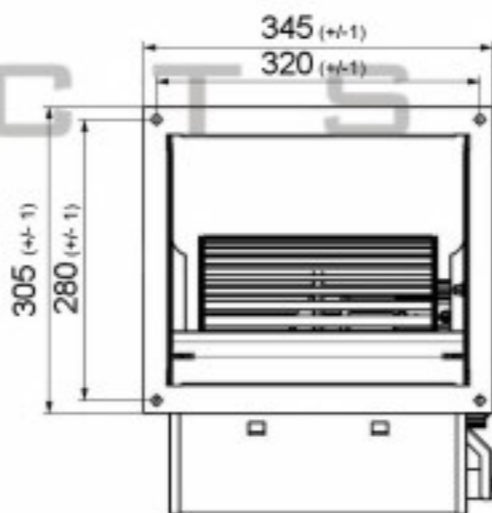
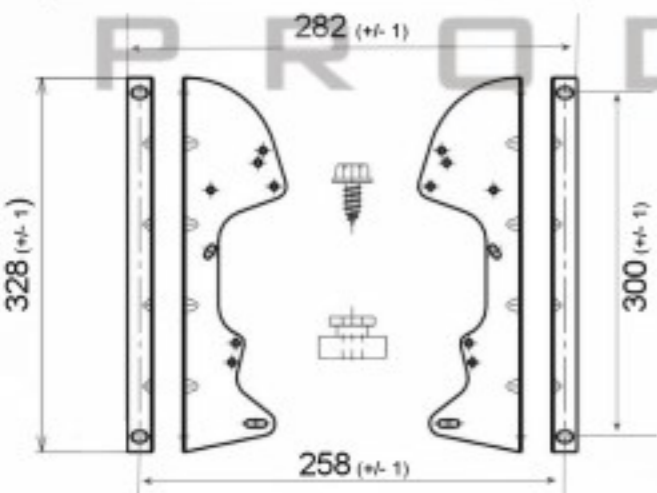


Accessories - DDF9/9(Flange)

Accessories - DD9F (Mounting Feet)



SPECIFICATION					
Motor	PSC	Speed (RPM)	1250	Bearings	Ball
Voltage (V)	230/240	Motor Protection	Th.Prot	Weight (Kg)	13.7
Frequency (Hz)	50/60	Insulation Class	B	Air Volume (M ³ /h)	3200
Power In/Out (W)	200	Protection Class	IP42	Noise Level (dBA)	
Current (A)	1.7	Capacitor (Mf)	5.0	Pressure (Pa)	0.00

POLE STAR
PRODUCTS LIMITED

POLE STAR PRODUCTS LIMITED	
Product Code	DD9/9-F200/1V-1
Projection Angle	± 3°
	A4
Scale:	Sheet: 1 of