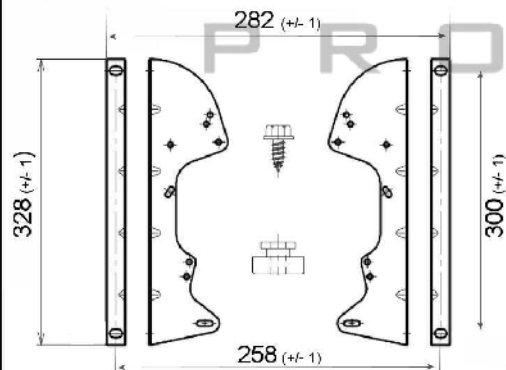
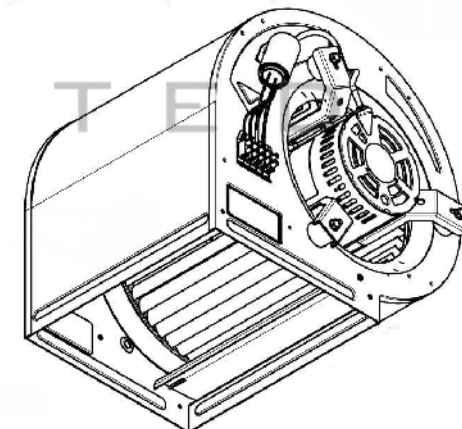
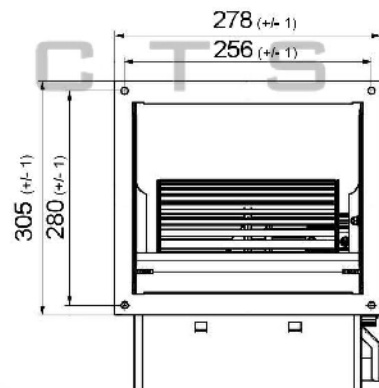


Accessories - DD9F (Mounting Feet)



Accessories - DD9/7 (Flange)



SPECIFICATION

Motor	PSC	Speed (RPM)	1250	Bearings	Ball
Voltage (V)	230/240	Motor Protection	Th.Prot	Weight (Kg)	14.0
Frequency (Hz)	50/60	Insulation Class	B	Air Volume (M ³ /h)	2650
Power In/Out (W)	600/370	Protection Class	IP42	Noise Level (dBA)	
Current (A)	3.0	Capacitor (Mf)	12.5	Pressure (Pa)	0.00

POLE STAR
PRODUCTS LIMITED

POLE STAR PRODUCTS LIMITED

Product Code
DD9/7-F370/1V-1

Projection
Angle
± 3°



A4
Scale:
Sheet: 1 of