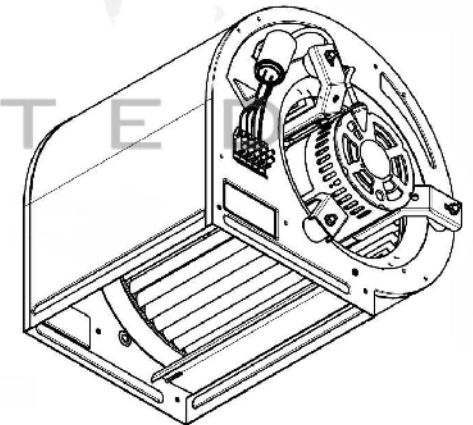
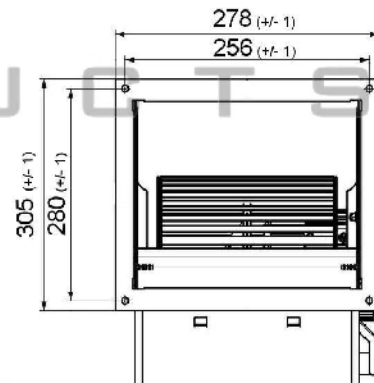
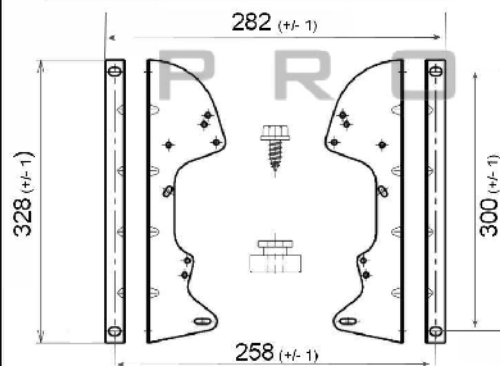


Accessories - DD9/7 (Flange)

Accessories - DD9F (Mounting Feet)



SPECIFICATION

Motor	PSC	Speed (RPM)	900	Bearings	BALL
Voltage (V)	230/240	Motor Protection	Th. Prot.	Weight (Kg)	7.15
Frequency (Hz)	50/60	Insulation Class	B	Air Volume (M <sup>3</sup> /h)	
Power In/Out (W)	425/250	Protection Class	IP42	Noise Level (dBA)	
Current (A)	2.05	Capacitor (Mf)	10.0	Pressure (Pa)	

**POLE STAR**  
PRODUCTS LIMITED

POLE STAR PRODUCTS LIMITED

Product Code  
**DD9/7-S250/1V-1**

Projection  
Angle  
± 3°



A4  
Scale:  
Sheet: 1 of