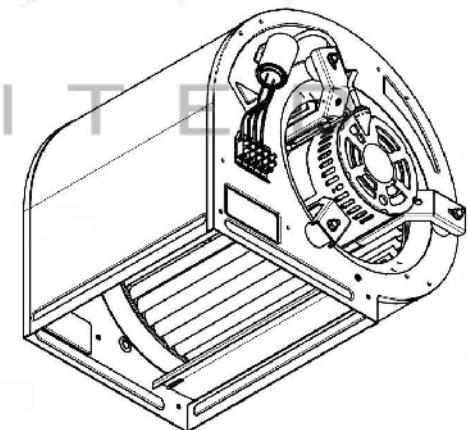
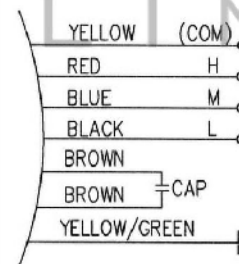
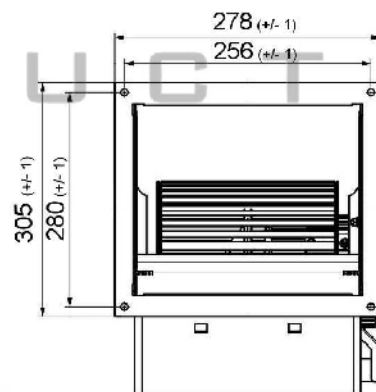
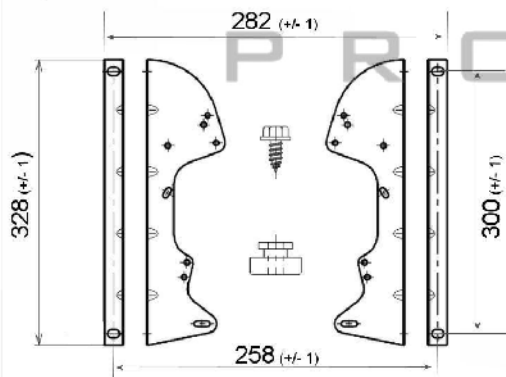


Accessories - DD9/7 (Flange)

Accessories - DD9F (Mounting Feet)



SPECIFICATION

Motor	PSC	Speed (RPM)	850	Bearings	Ball
Voltage (V)	230/240	Motor Protection	Th.Prot	Weight (Kg)	14.0
Frequency (Hz)	50/60	Insulation Class	B	Air Volume (M <sup>3</sup> /h)	
Power In/Out (W)	245	Protection Class	IP42	Noise Level (dBA)	
Current (A)	1.8	Capacitor (Mf)	10	Pressure (Pa)	0.00

**POLE STAR**  
PRODUCTS LIMITED

POLE STAR PRODUCTS LIMITED

Product Code  
**DD9/7-S250/3V-1**

Projection  
Angle  
± 3°



A4  
Scale:  
Sheet: 1 of