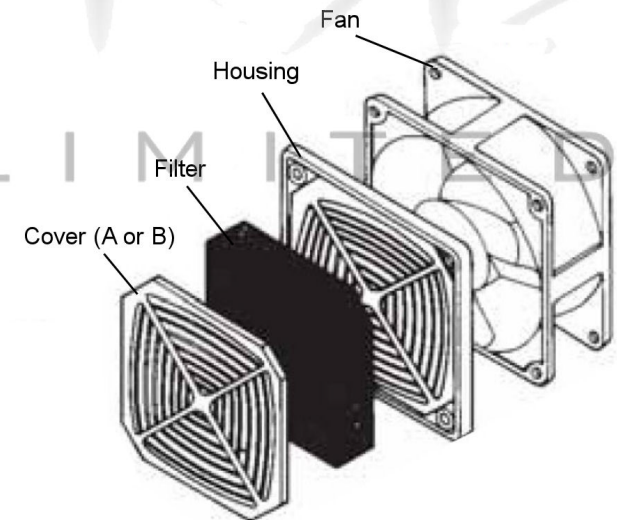
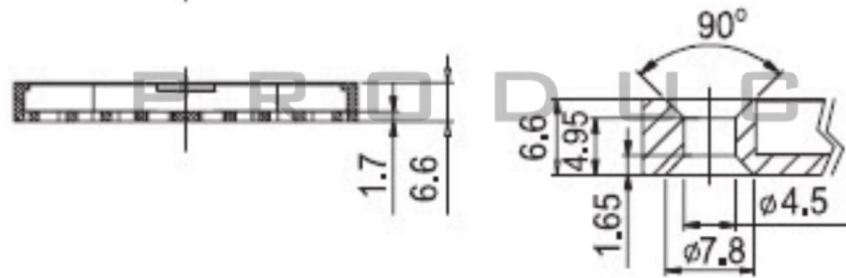
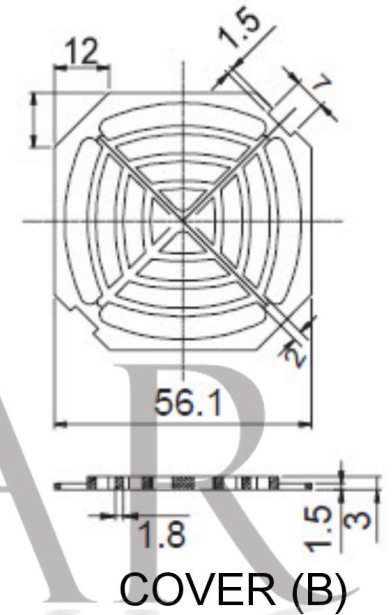
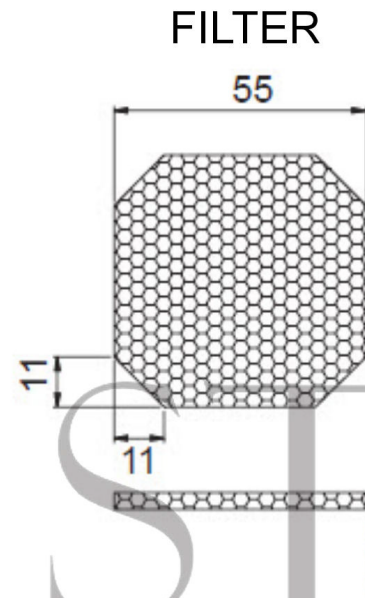
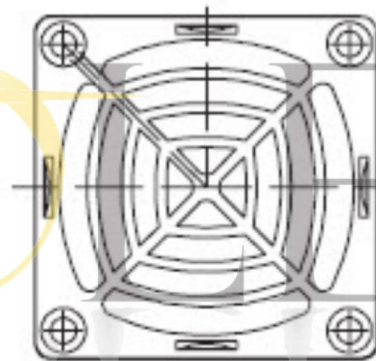


COVER (A)



SPECIFICATION				
Motor	Speed (RPM)		Bearings	
Voltage (V)	Motor Protection		Weight (Kg)	
Frequency (Hz)	Insulation Class		Noise dB(A)	
Power In/Out (W)	Protection Class		Amb. Temp(°C)	
Current (A)	Capacitor (MF)			

POLE STAR
PRODUCTS LIMITED

POLE STAR PRODUCTS LIMITED	
Product Code	PFF06
Projection Angle	± 3°
	A4
	Scale: 1 of 1