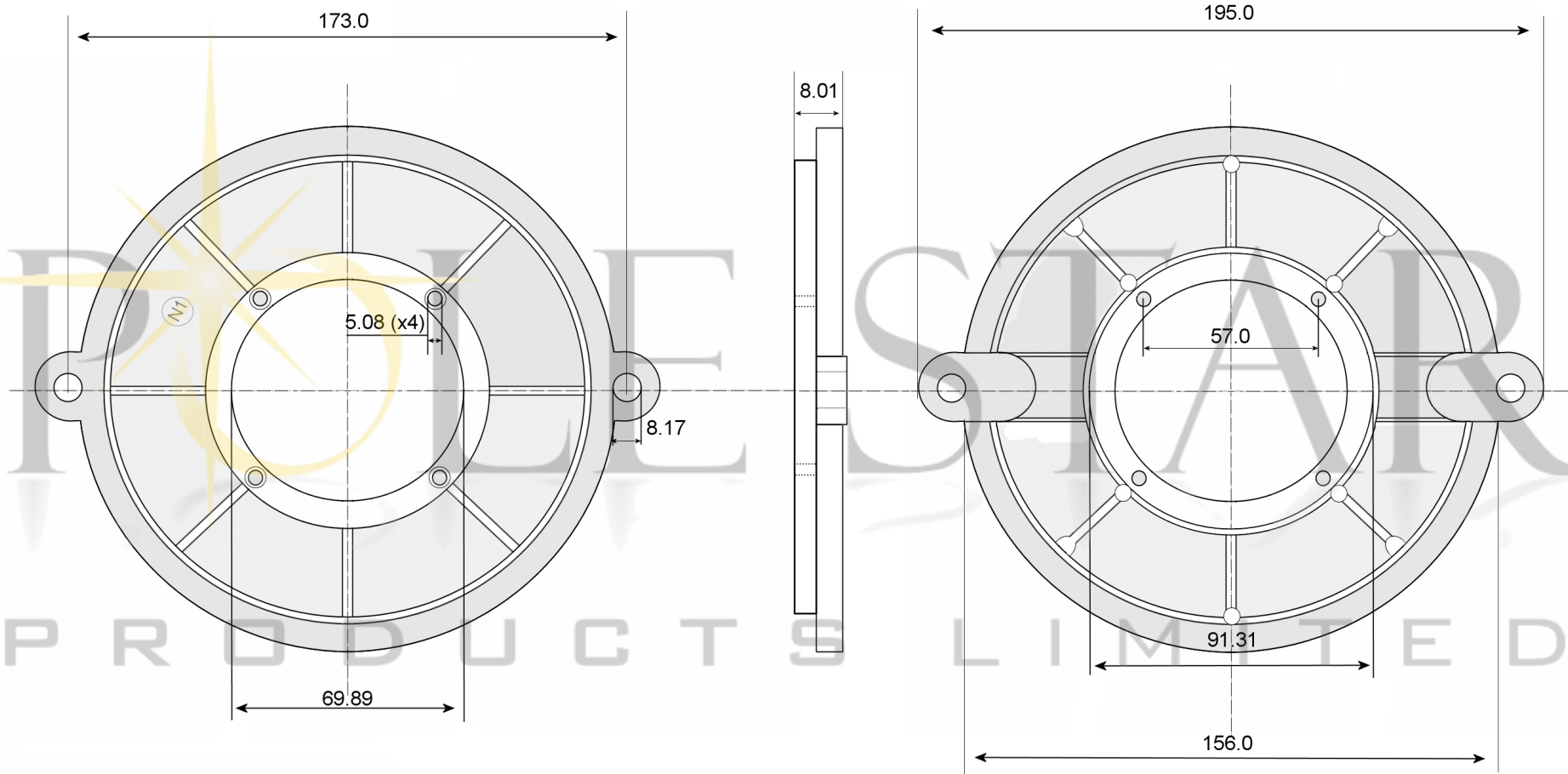
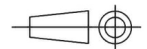


NEMA1



SPECIFICATION			
Motor	Speed (RPM)	Bearings	
Voltage (V)	Motor Protection	Weight (Kg)	
Frequency (Hz)	Insulation Class	Noise dB(A)	
Power In/Out (W)	Protection Class	Amb. Temp(°C)	
Current (A)	Capacitor (MF)		

POLE STAR
PRODUCTS LIMITED

POLE STAR PRODUCTS LIMITED	
Product Code	BMF3
Projection Angle	± 3°
	
	A4
	Scale: Sheet: 1 of