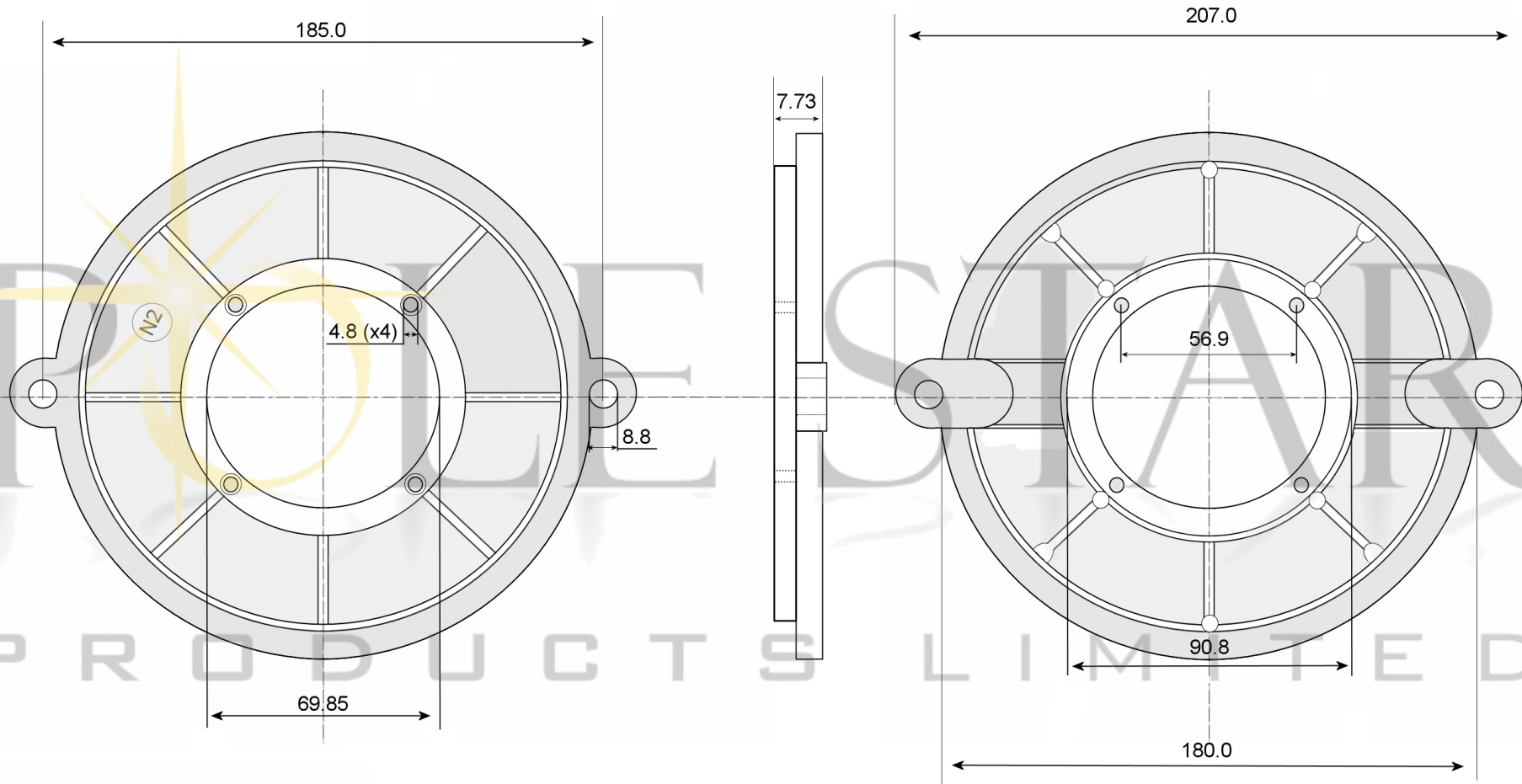


NEMA2



SPECIFICATION

Motor	Speed (RPM)	Bearings
Voltage (V)	Motor Protection	Weight (Kg)
Frequency (Hz)	Insulation Class	Noise dB(A)
Power In/Out (W)	Protection Class	Amb. Temp(°C)
Current (A)	Capacitor (MF)	

POLE STAR
PRODUCTS LIMITED

POLE STAR PRODUCTS LIMITED

Product Code	BMF4
Projection Angle	± 3°
Scale:	A4
Sheet:	1 of 1

