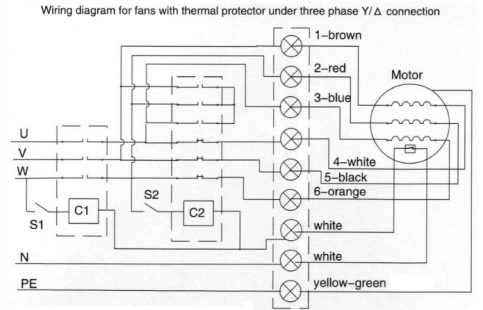
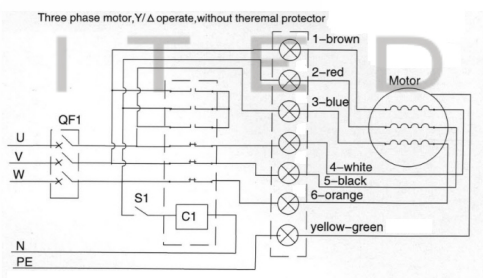
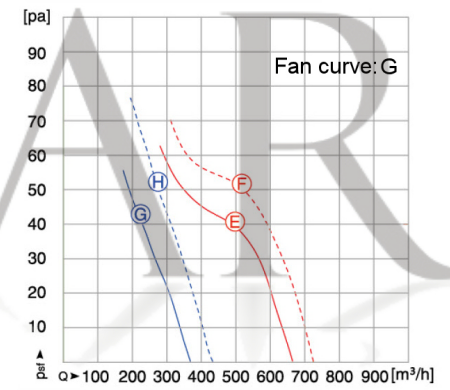


All measurements shown are in millimeters



C1-Run control touch machine,connect S1,run fan.
C2-Y/Δ Control touch machine,S2 cut, Δ connection;S2 connect,Y connection.



QF1-Run control air switch,connect QF1,fan start.
C1-Y/Δ Run control touch machine,cut S1, Δ connection,connect S1;Yconnection.

SPECIFICATION					
Motor	PSC	Speed (RPM)	1443	Bearings	Ball
Voltage (V)	380	Motor Protection	Th. Prot.	Weight (Kg)	2.3
Frequency (Hz)	50/60	Insulation Class	B	Air Volume (M³/h)	
Power In/Out (W)	36	Protection Class	IP54	Noise Level (dBA)	53
Current (A)	0.14	Temp. Range	-30 +60	Capacitor (MF)	

POLE STAR
PRODUCTS LIMITED

POLE STAR PRODUCTS LIMITED	
Product Code	GMA3-200S-2
Projection	A4
Angle	± 3°
Scale:	Sheet: 1 of