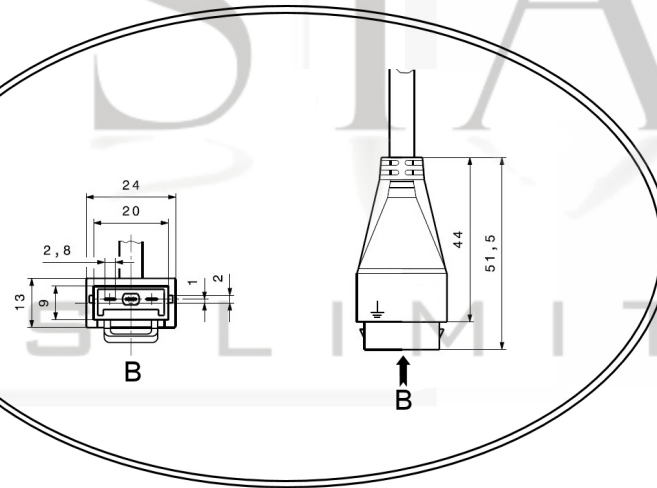
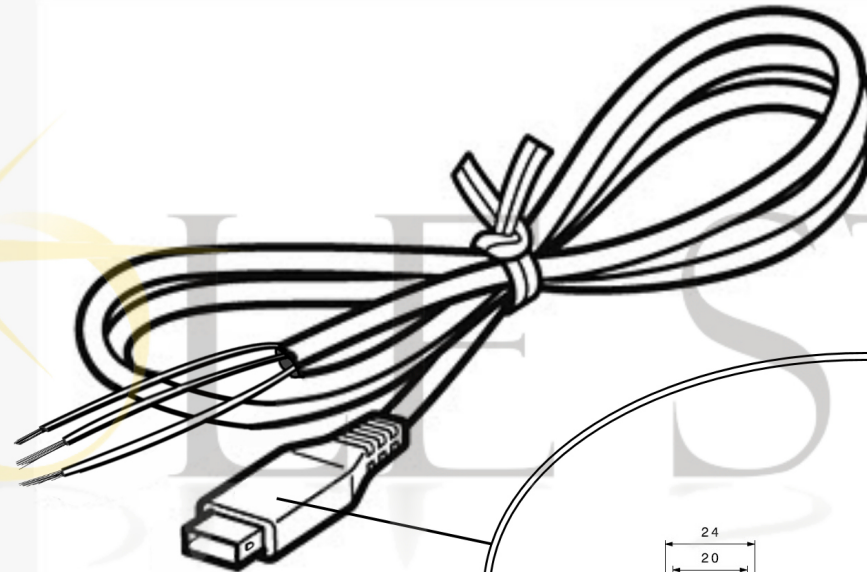
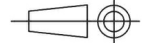


Available in 1 meter and 2 meter lead lengths



SPECIFICATION			
Motor	Speed (RPM)	Bearings	
Voltage (V)	Motor Protection	Weight (Kg)	
Frequency (Hz)	Insulation Class	Noise dB(A)	
Power In/Out (W)	Protection Class	Amb. Temp(°C)	
Current (A)	Capacitor (MF)		

**POLE STAR**  
PRODUCTS LIMITED

POLE STAR PRODUCTS LIMITED	
Product Code <b>84PC1 &amp; 84PC2</b>	
Projection Angle ± 3°	
	A4 Scale: Sheet: 1 of