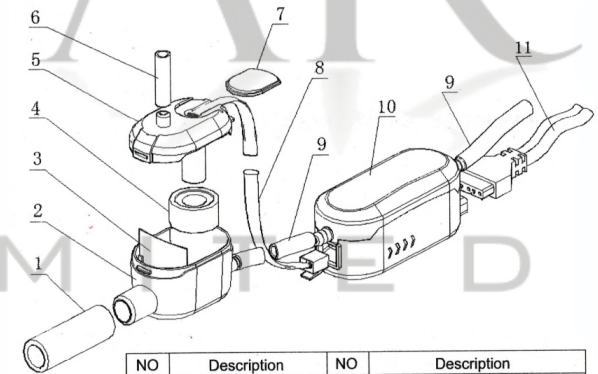
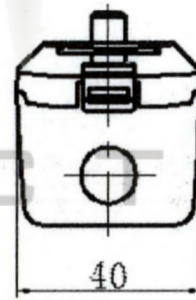
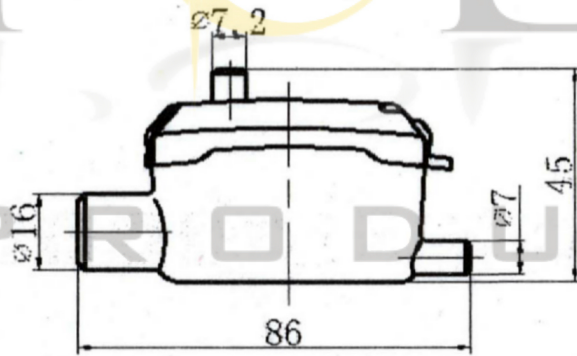
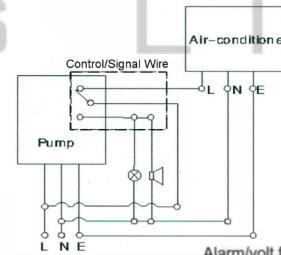


Pump components



NO	Description	NO	Description
1	Silicone tube	7	Insert board
2	Reservoir base	8	Sensor cable
3	Filter	9	Connecting tube
4	Float	10	Pump assembly
5	Reservoir cover	11	6-Pin socket lead assembly
6	Breather tube		



(L) Live: Brown
 (N) Neutral: Blue
 (E) Earth: Green&Yellow

Alarm/volt free:
 (N.C.) Normally closed : Green
 (COM) Common: Red
 (N.O.) Normally open : Violet

SPECIFICATION					
Motor	SP	Suction Lift (M)	2.0	Amb. Temp. (0°C)	0 - 50
Voltage (V)	230	Discharge Head (M)	12.0	Weight (Kg)	0.236
Frequency (Hz)	50/60	Th.Prot. (0°C)	100	Noise dB(A)	25
Power In/Out (W)	12	Flow Rate (L/H)	12.0		
Current (A)		Tank Capacity (cc)	35.0		

POLE STAR
 PRODUCTS LIMITED

POLE STAR PRODUCTS LIMITED	
Product Code	PC-12B
Projection	A4
Angle	Scale:
± 3°	Sheet: 1 of