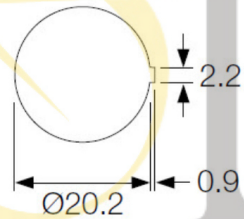


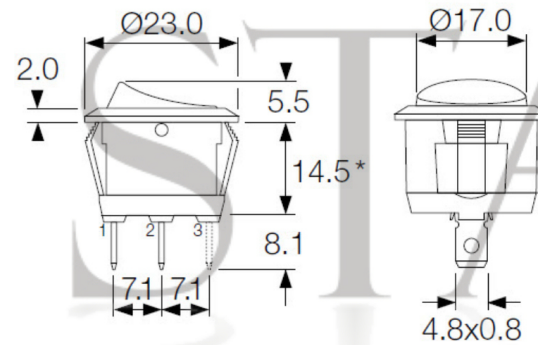
DIMENSIONS (mm)

Panel cut-out



Snap fixing into panel thickness up to 3.0

Single pole



POLE STAR PRODUCTS LIMITED



SP ON - OFF μ
Lit 230V

SPECIFICATION				
Motor	Speed (RPM)		Bearings	Ball
Voltage (V)	Motor Protection	Th.Prot.	Weight (Kg)	
Frequency (Hz)	Insulation Class	B	Noise dB(A)	
Power In/Out (W)	Protection Class	IP42		
Current (A)	Capacitor (MF)			

POLE STAR
PRODUCTS LIMITED

POLE STAR PRODUCTS LIMITED	
Product Code	PSSW-2SP-RED
Projection Angle	$\pm 3^\circ$
	A4
	Scale:
	Sheet: 1 of