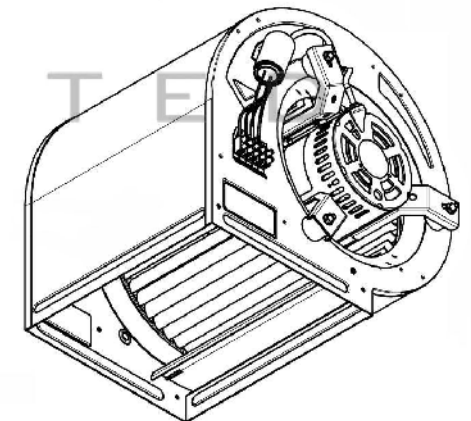
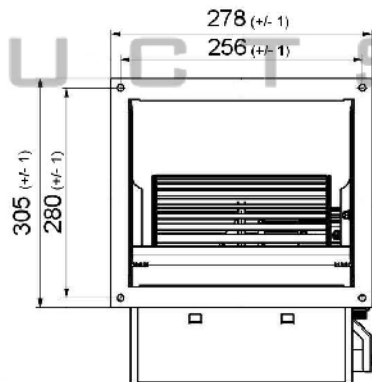
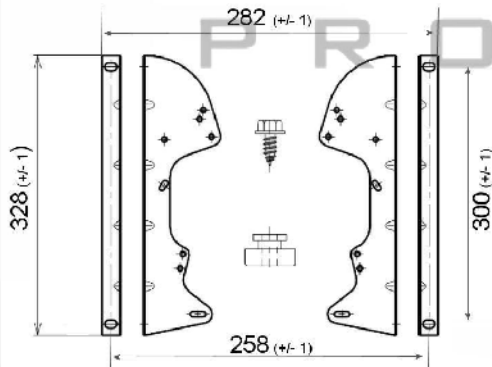


Accessories - DD9/7 (Flange)

Accessories - DD9F (Mounting Feet)



SPECIFICATION

Motor	PSC	Speed (RPM)	1250	Bearings	Ball
Voltage (V)	230/240	Motor Protection	Th.Prot	Weight (Kg)	17.0
Frequency (Hz)	50/60	Insulation Class	B	Air Volume (M ³ /h)	3900
Power In/Out (W)	550	Protection Class	IP42	Noise Level (dBA)	
Current (A)	3.8	Capacitor (Mf)	15.0	Pressure (Pa)	78.45

POLE STAR
PRODUCTS LIMITED

POLE STAR PRODUCTS LIMITED

Product Code
DD9/7-F550/1V-1

Projection
Angle
± 3°

A4
Scale:
Sheet: 1 of