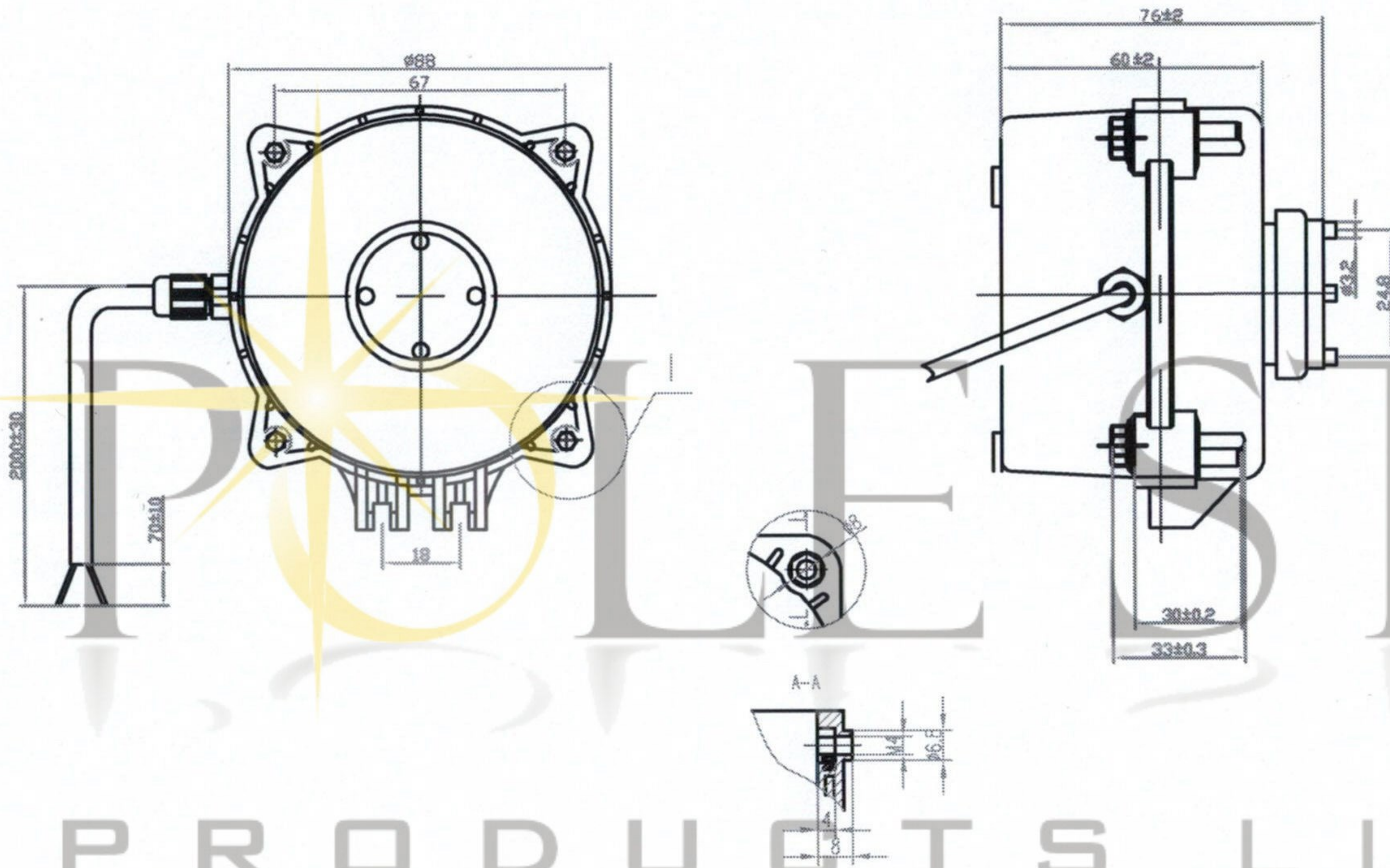
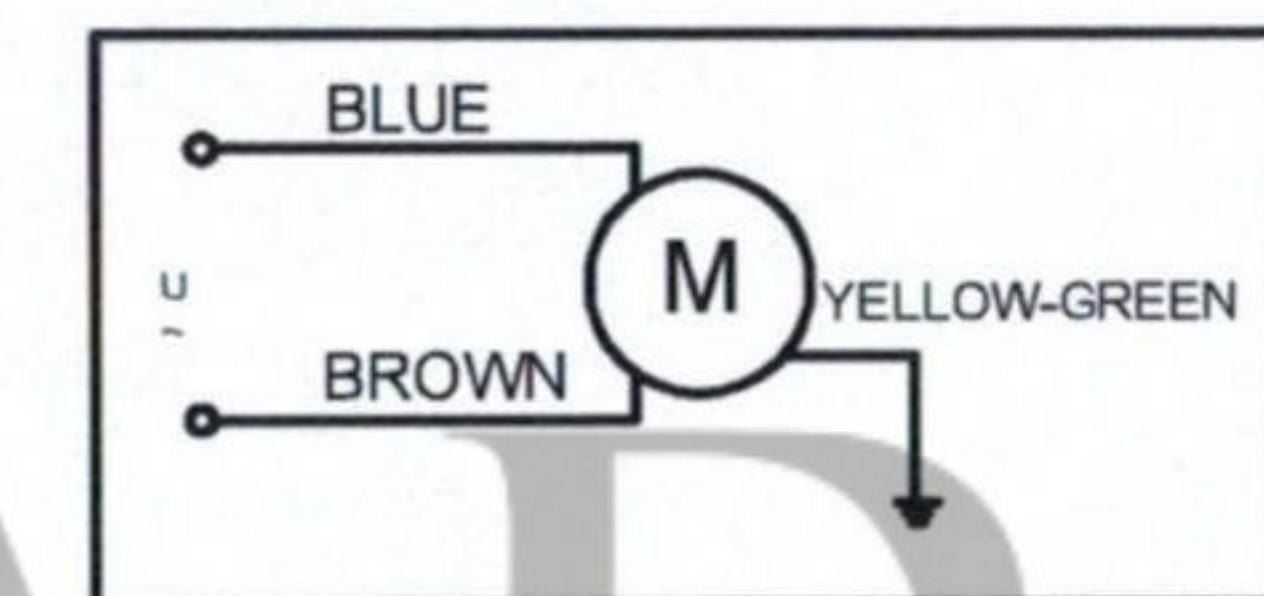


CCW



WIRE CONNECT



LABEL

PART NO. ECFM7-1 220/240V  
**POLE STAR** 50/60Hz 4/T W 0.07A  
 CL.H 1400rpm

| SPECIFICATION    |         |                  |               |               |          |
|------------------|---------|------------------|---------------|---------------|----------|
| Motor            | BLDC    | Speed (RPM)      | 1400          | Bearings      | Ball     |
| Voltage (V)      | 220/240 | Motor Protection | Imp. Prot.    | Weight (Kg)   | 0.6      |
| Frequency (Hz)   | 50/60   | Insulation Class | H             | Max Fan Blade | 200/22   |
| Power In/Out (W) | 4/7     | Protection Class | IP 54         | Amb. Temp(°C) | -40 + 70 |
| Current (A)      | 0.07    | Approvals        | VDE/TUV/CE/EX |               |          |

**POLE STAR**  
 PRODUCTS LIMITED

| POLE STAR PRODUCTS LIMITED     |                |
|--------------------------------|----------------|
| Product Code                   | <b>ECFM7-1</b> |
| Projection Angle $\pm 3^\circ$ |                |
| Scale:                         | A4             |
| Sheet: 1 of                    |                |