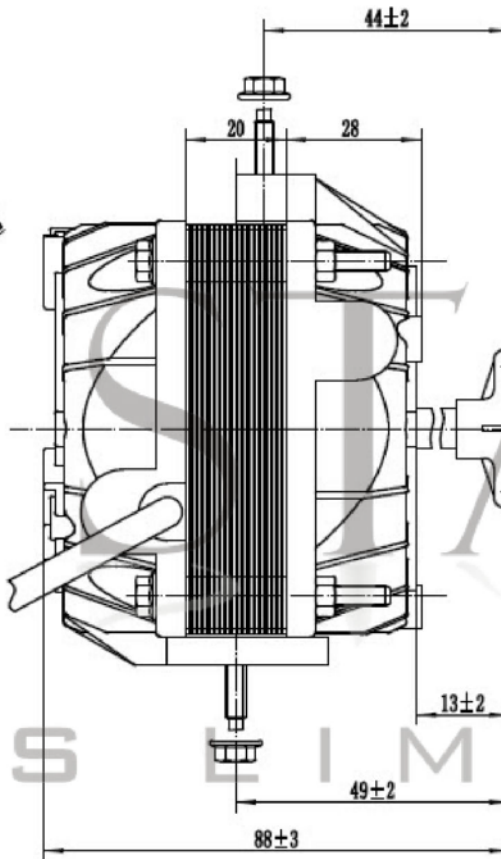
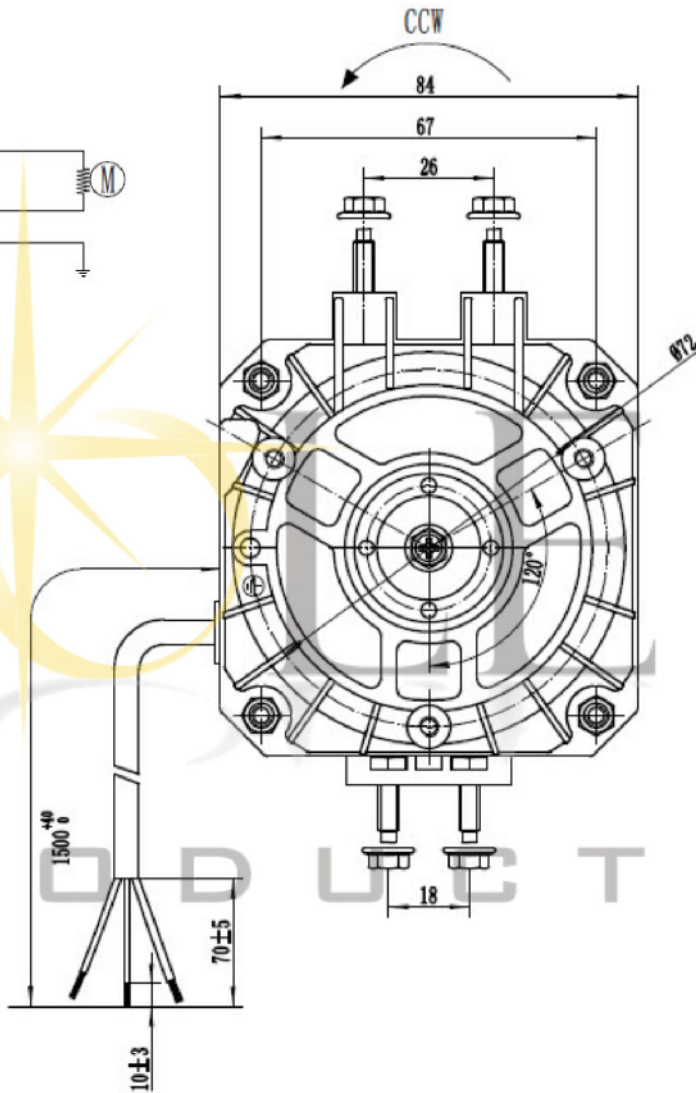
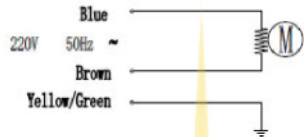


Wiring Diagram



50

PoleStar Products Ltd. PSM10W-1 www.psp.uk.com
 220-240V, 10W, 0.25A, 50/60Hz 1300/1550Rpm
 Class B, Impedance Protected Week/Year

SPECIFICATION					
Motor	SP	Speed (RPM)	1300	Bearings	Sleeve
Voltage (V)	230/240	Motor Protection	Imp.Prot	Weight (Kg)	1.25
Frequency (Hz)	50/60	Insulation Class	B		
Power In/Out (W)	38/10	Protection Class	IP42	Amb. Temp(°C)	-30/+40
Current (A)	0.25				

POLE STAR
 PRODUCTS LIMITED

POLE STAR PRODUCTS LIMITED

Product Code **PSM10W**

Projection Angle $\pm 3^\circ$

A4
 Scale:
 Sheet: 1 of