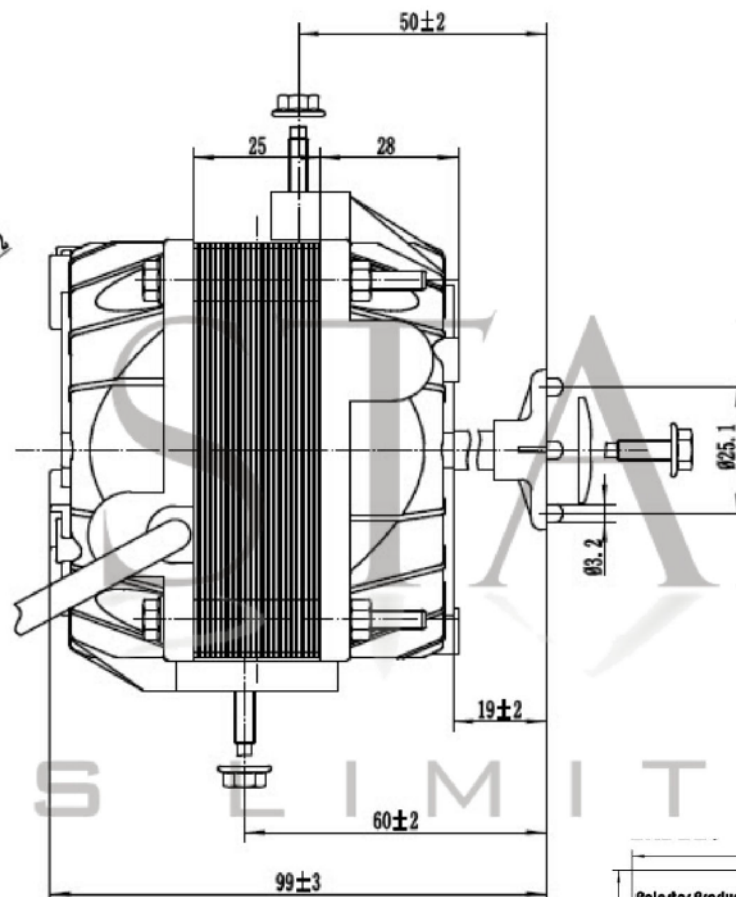
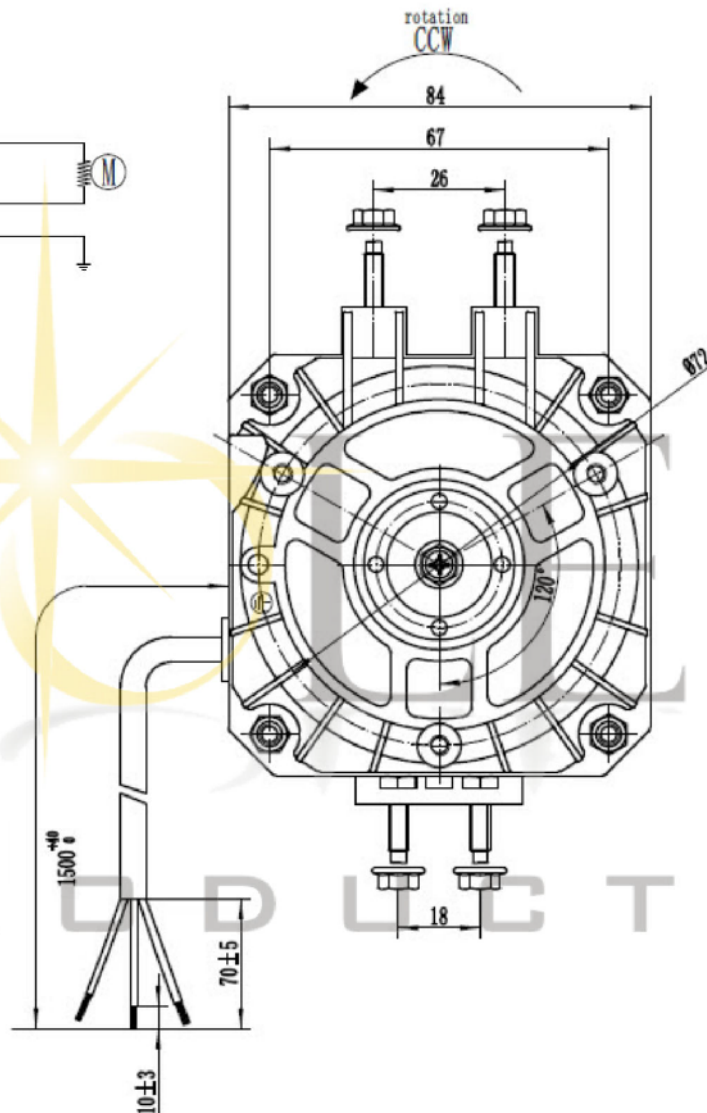


Wiring Diagram



50

Pole Star Products Ltd. PSM16W-1 www.psp.uk.com
 220-240V, 16W, 0.45A, 50/60Hz 1300/1550Rpm
 Class B, Impedance Protected 100k/Year

SPECIFICATION					
Motor	SP	Speed (RPM)	1300	Bearings	Sleeve
Voltage (V)	230/240	Motor Protection	Imp.Prot	Weight (Kg)	1.5
Frequency (Hz)	50/60	Insulation Class	B		
Power In/Out (W)	65/16	Protection Class	IP42	Amb. Temp(°C)	-30/+40
Current (A)	0.45				

POLE STAR
 PRODUCTS LIMITED

POLE STAR PRODUCTS LIMITED	
Product Code	PSM16W
Projection Angle	
± 3°	A4 Scale: Sheet: 1 of