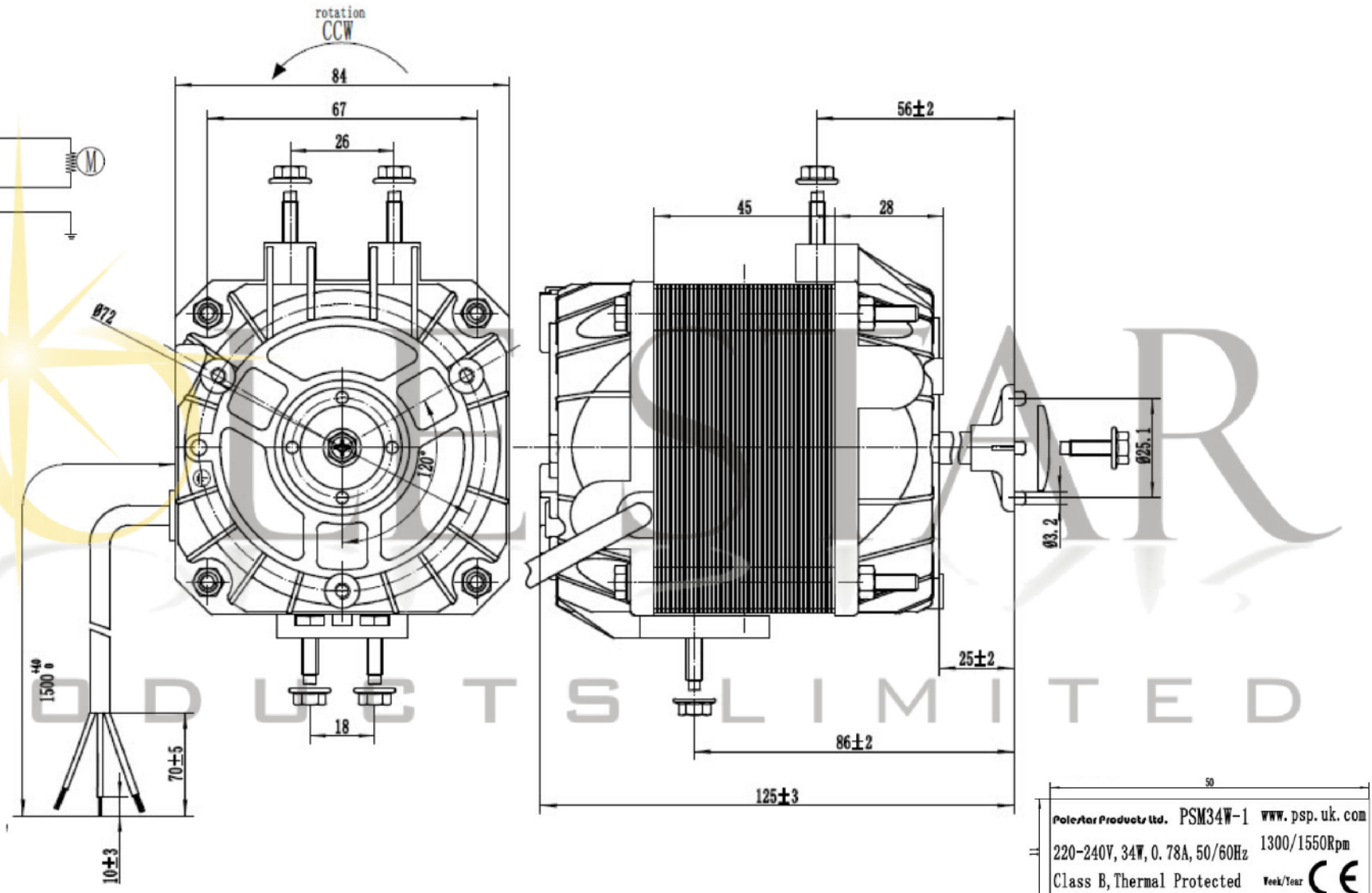


Wiring Diagram



PoleStar Products Ltd. PSM34W-1 www.psp.uk.com
 220-240V, 34W, 0.78A, 50/60Hz 1300/1550Rpm
 Class B, Thermal Protected Year/Year

SPECIFICATION					
Motor	SP	Speed (RPM)	1300	Bearings	Sleeve
Voltage (V)	230/240	Motor Protection	Th.Prot	Weight (Kg)	2.3
Frequency (Hz)	50/60	Insulation Class	B		
Power In/Out (W)	120/34	Protection Class	IP42	Amb. Temp(°C)	-30/+40
Current (A)	0.78				

POLE STAR
 PRODUCTS LIMITED

POLE STAR PRODUCTS LIMITED	
Product Code	PSM34W
Projection Angle	A4
± 3°	Scale: Sheet: 1 of