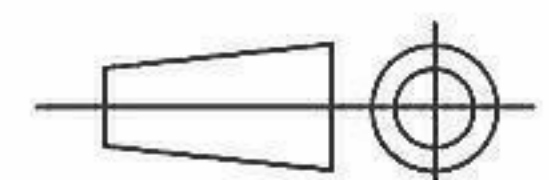


SPECIFICATION					
Motor	SP	Speed (RPM)	2	Bearings	Sleeve
Voltage (V)	220/240	Motor Protection	Imp.Prot	Weight (Kg)	1.35
Frequency (Hz)	50	Insulation Class	H	Output Torque	40NM(min)
Power In (W)	26	Protection Class	IP20		
Current (A)	0.25				

**POLE STAR**  
PRODUCTS LIMITED

POLE STAR PRODUCTS LIMITED	
Product Code	<b>GR-26-2</b>
Projection Angle ± 3°	
	A4
	Scale: Sheet: 1 of