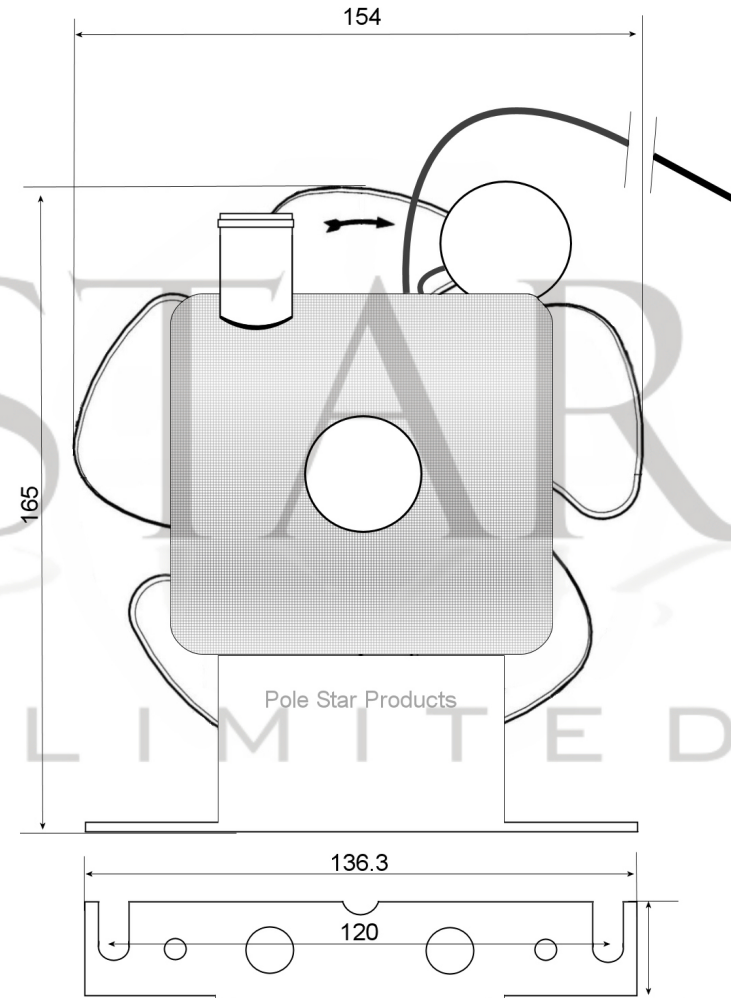
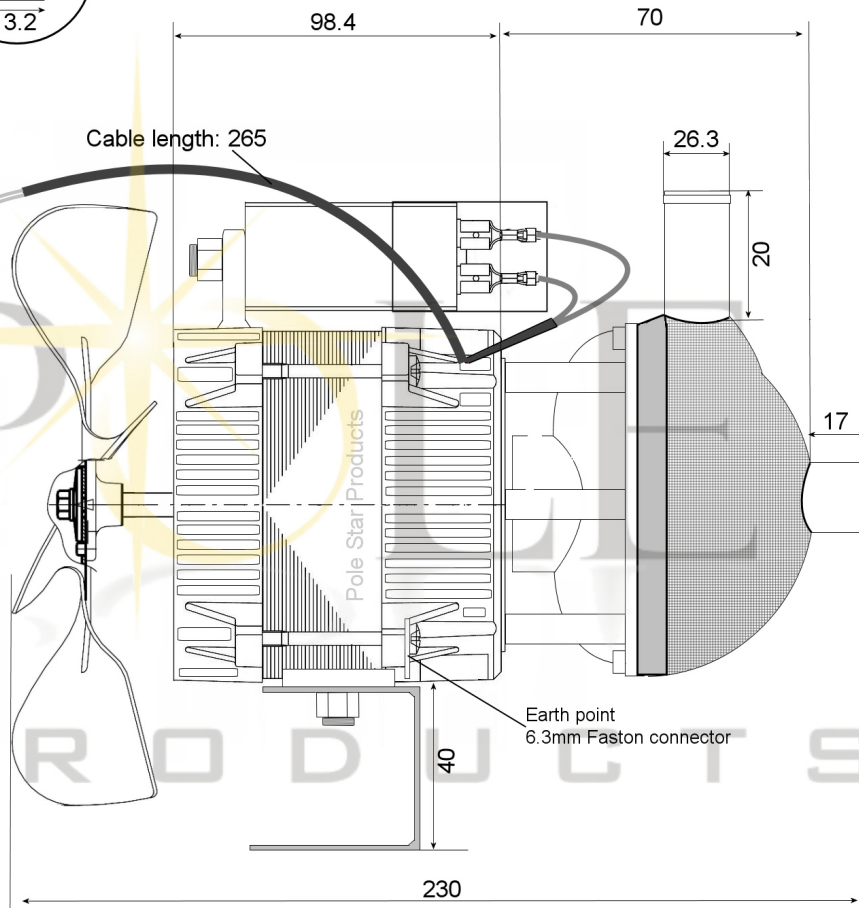
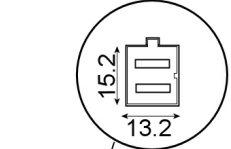


6.3mm Faston terminals



SPECIFICATION *All sizes shown are in millimeters*

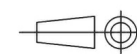
Motor	PSC	Speed (RPM)	2948	Bearings	Ball
Voltage (V)	220/240	Motor Protection	Th.Prot.	Weight (Kg)	2.6
Frequency (Hz)	50/60	Insulation Class	F		
Power In/Out (W)	120	Protection Class	IP42		
Current (A)	0.6	Capacitor (MF)	5.0		

POLE STAR
PRODUCTS LIMITED

POLE STAR PRODUCTS LIMITED

Product Code
IM-120-1

Projection
Angle
± 3°



A4
Scale:
Sheet: 1 of