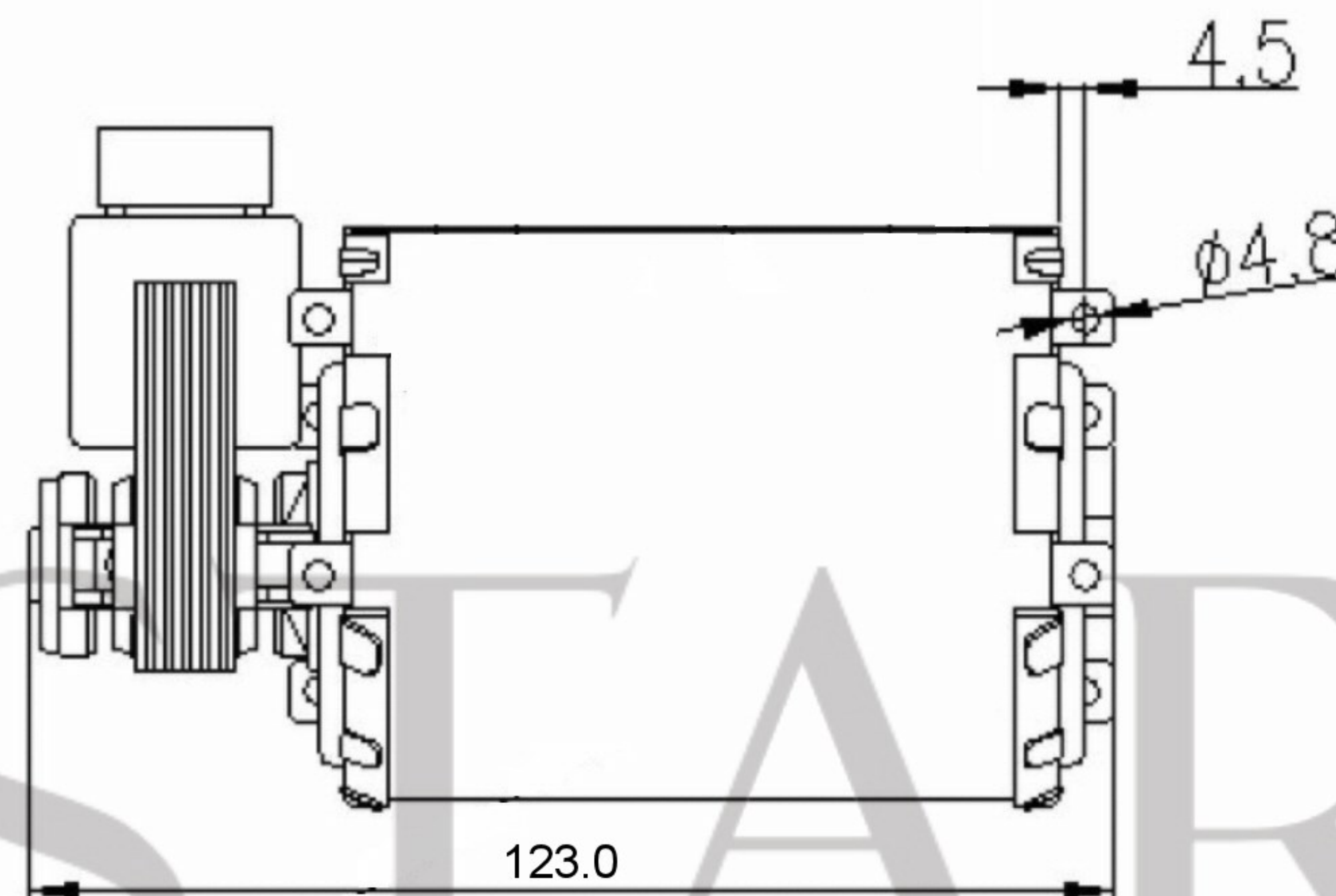
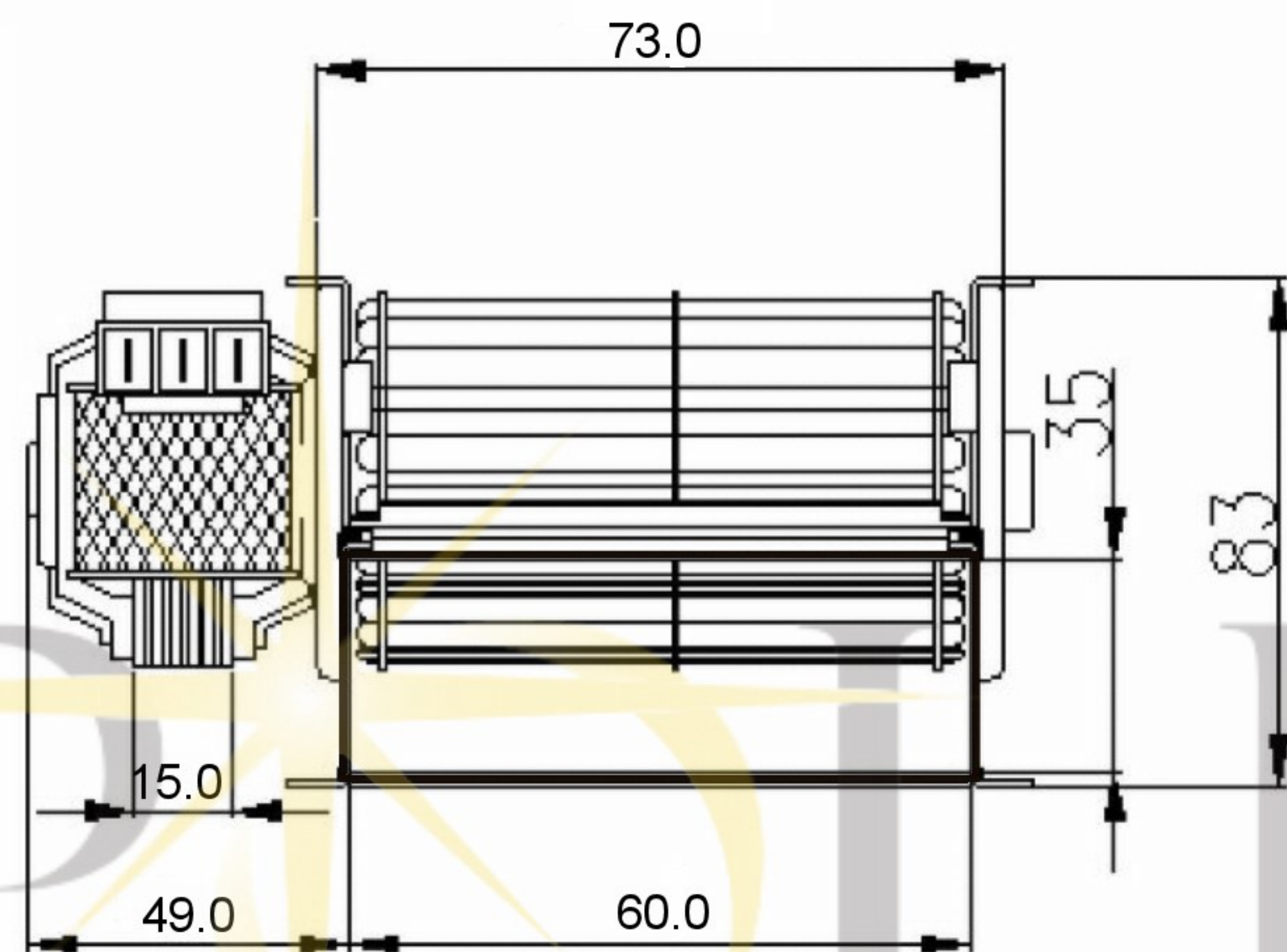
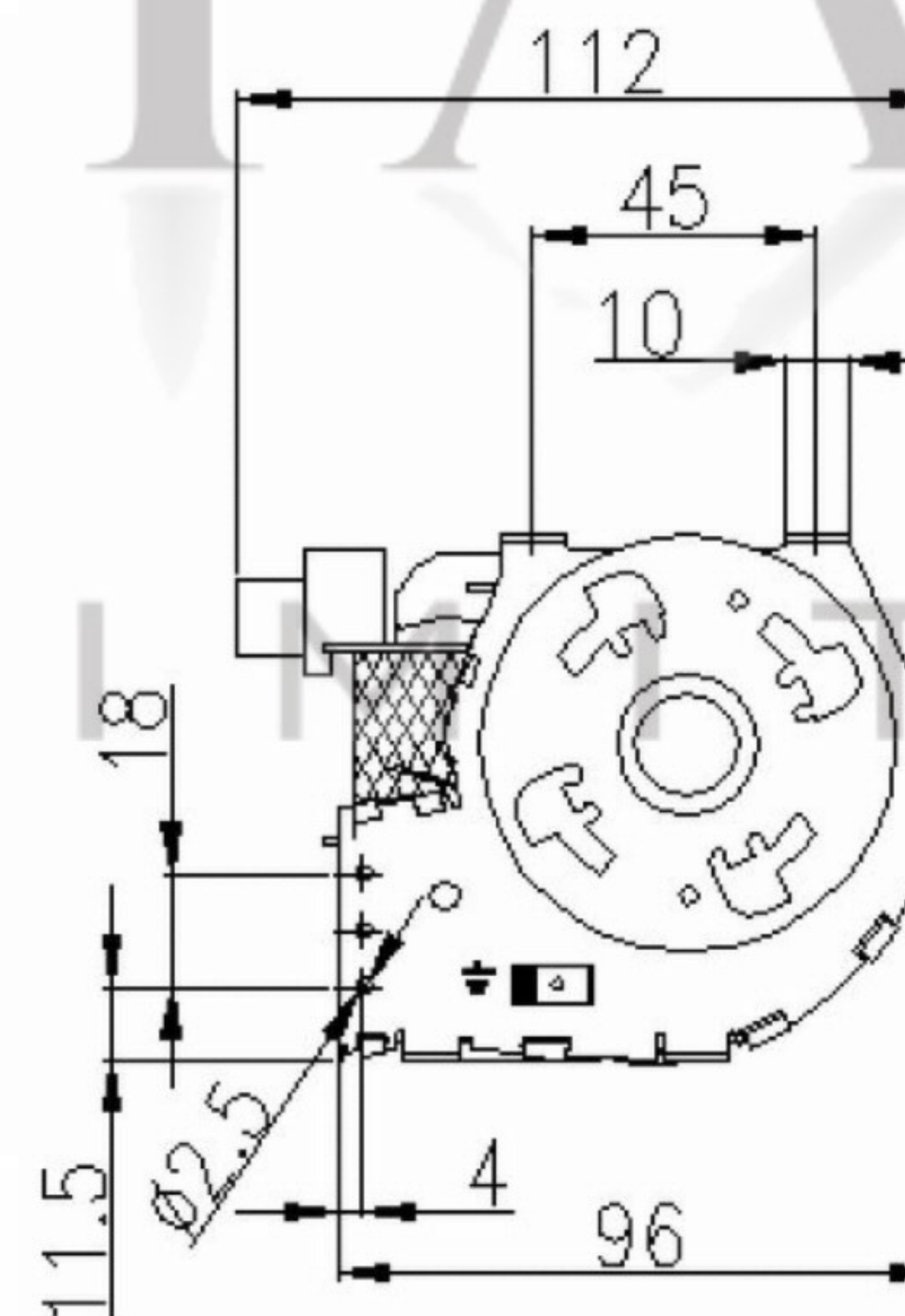
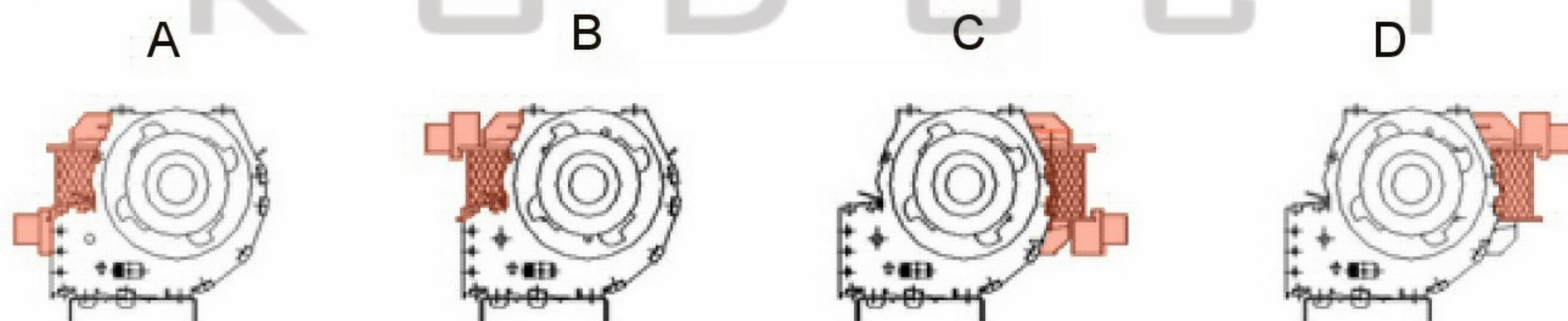


Model shown is left hand motor



Fan Motor Mounting Positions



SPECIFICATION	Temp. Range: 0°C to + 60°C				
Motor	SP	Speed (RPM)	2520	Bearings	Sleeve
Voltage (V)	230/240	Motor Protection	Imp. Prot.	Weight (Kg)	
Frequency (Hz)	50	Insulation Class	F	Air Volume (M <sup>3</sup> /h)	43
Power In/Out (W)	17	Protection Class	IP20	Noise Level (dBA)	
Current (A)				Max Pressure (Pa)	39

**POLE STAR**  
PRODUCTS LIMITED

POLE STAR PRODUCTS LIMITED	
Product Code	<b>TAS06</b>
Projection Angle	$\pm 3^\circ$
Scale:	A4
Sheet:	1 of 1