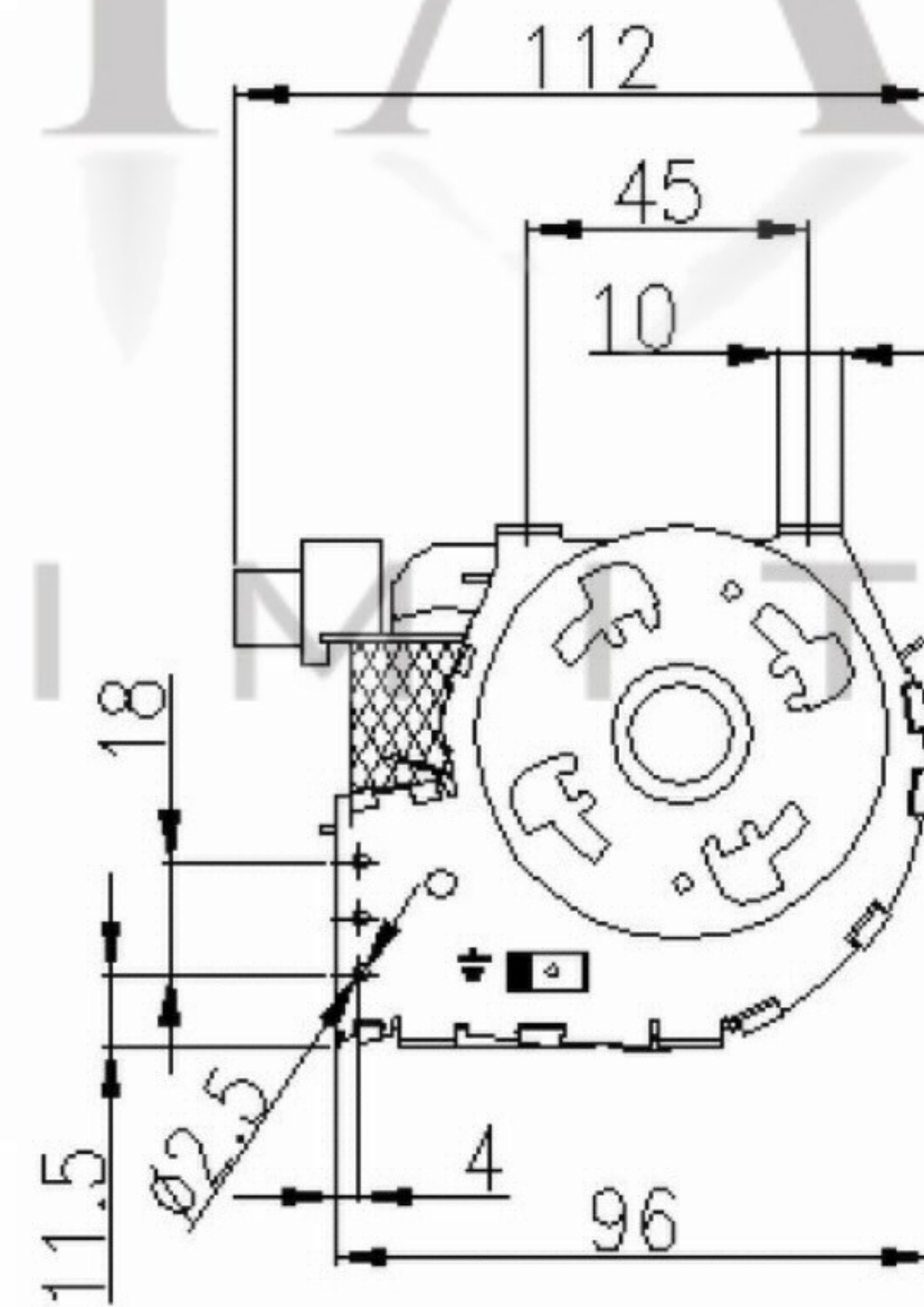
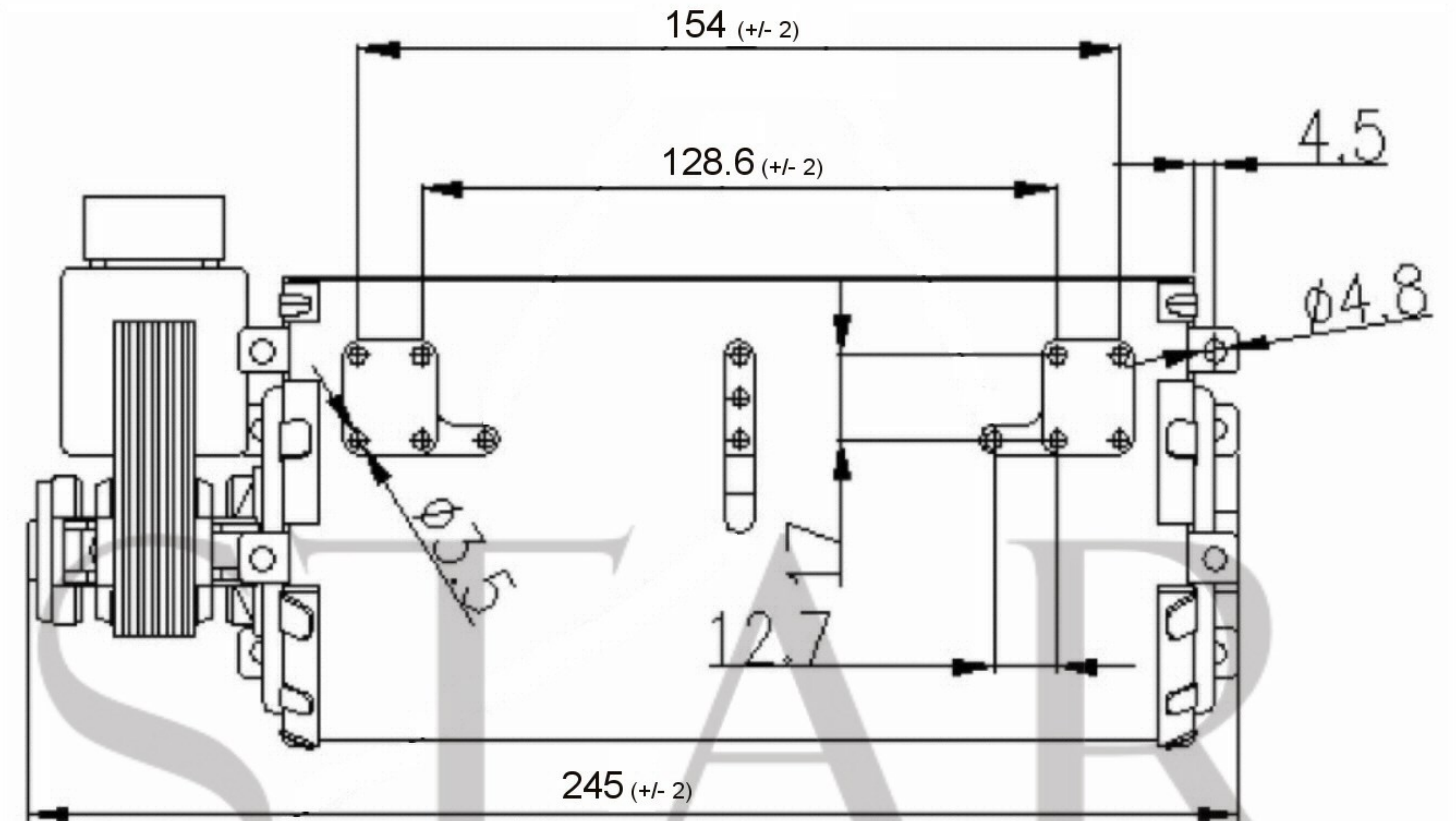
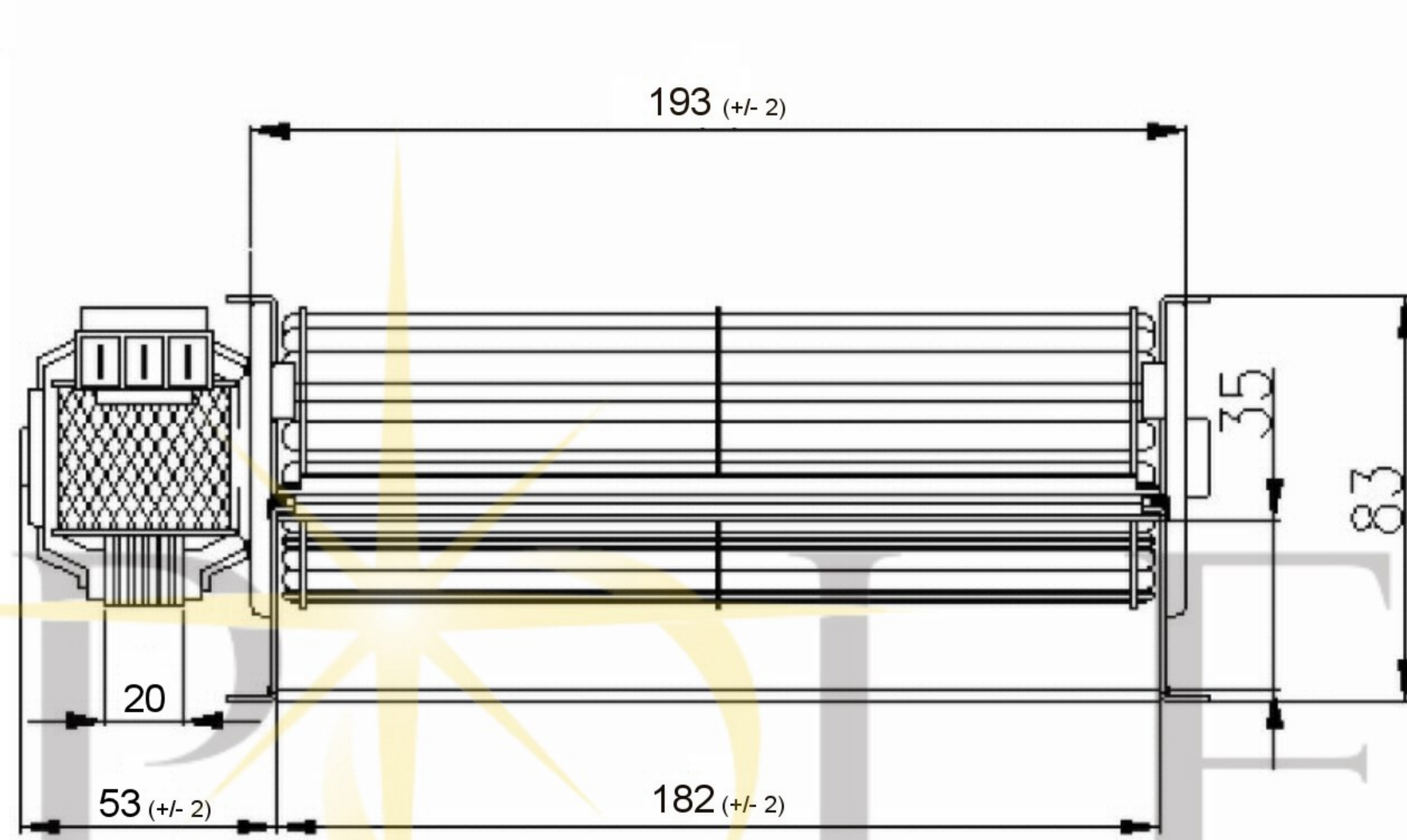
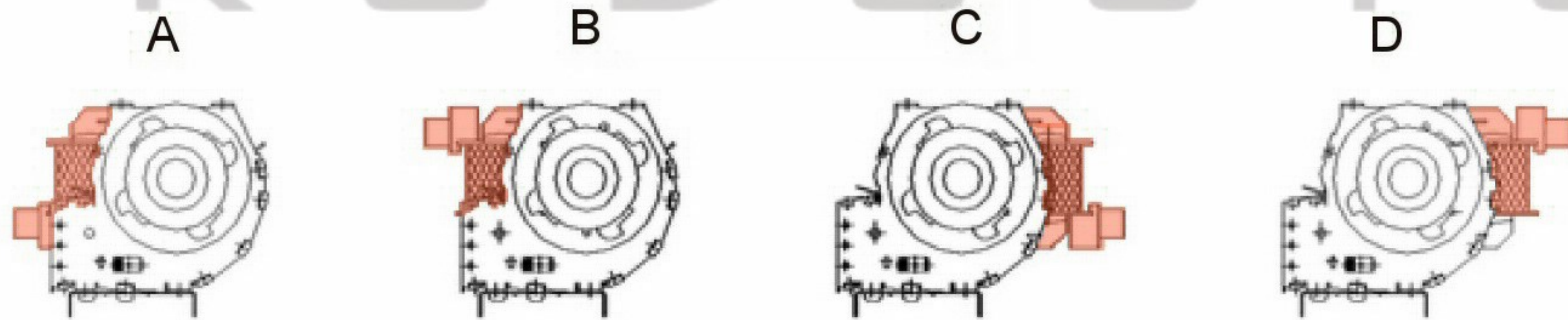


Model shown is left hand motor



Fan Motor Mounting Positions



SPECIFICATION	Temp. Range: 0°C to + 60°C				
Motor	SHP	Speed (RPM)	1800	Bearings	Sleeve
Voltage (V)	230/240	Motor Protection	Imp.Prot	Weight (Kg)	0.9
Frequency (Hz)	50	Insulation Class	F	Air Volume (M³/h)	165
Power In/Out (W)	32	Protection Class	IP20	Noise Level (dBA)	
Current (A)				Max Pressure (Pa)	65

**POLE STAR**  
PRODUCTS LIMITED

POLE STAR PRODUCTS LIMITED	
Product Code	<b>TAS18-16-1</b>
Projection Angle	± 3°
	A4
	Scale:
	Sheet: 1 of