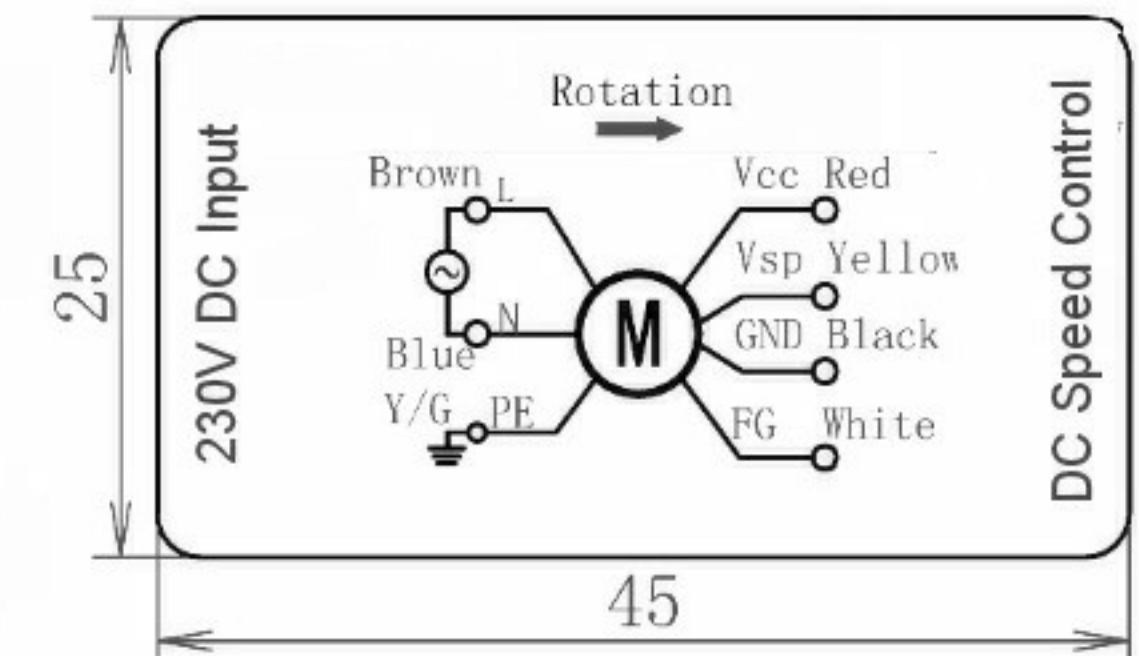


LEAD WIRES ASS'Y ①

	COLOR	SPEC
L	BROWN	AC220V/50Hz
N	BLUE	AC220V/50Hz
PE	YELLOW/GREEN	EARTH

LEAD WIRES ASS'Y ②

	COLOR	SPEC
Vcc	RED	DC10V
Vsp	YELLOW	0-10V/PWM
GND	BLACK	GND
FG	WHITE	1PuIse/R



SPECIFICATION					
Motor	EC	Speed (RPM)	1600	Bearings	Ball
Voltage (V)	230 AC	Motor Protection	Th.Prot.	Weight (Kg)	
Frequency (Hz)	50/60	Insulation Class	B	Noise (dB)	72
Power In/Out (W)	340	Protection Class	IP44	Temp.Range (°C)	-20 / +60
Current (A)	1.55				

POLE STAR
PRODUCTS LIMITED

POLE STAR PRODUCTS LIMITED
 Product Code
GMA1-400S-EC

Projection Angle ± 3°

A4
 Scale:
 Sheet: 1 of