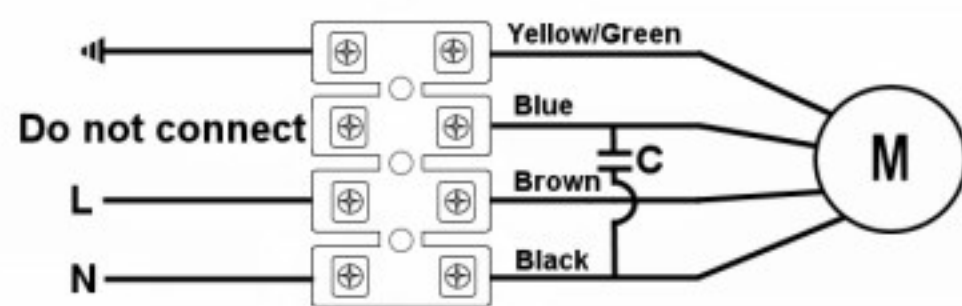
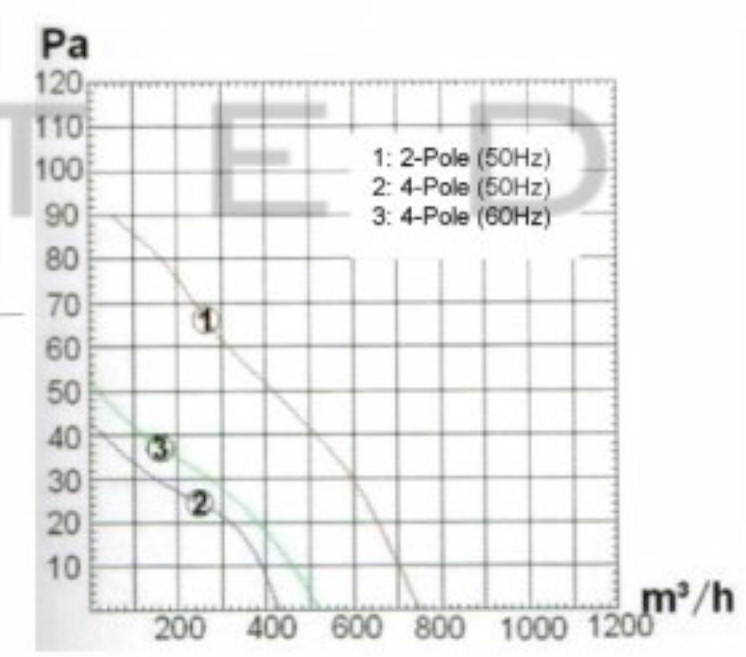


		MM
A	Total Width	285
B	Fixing point width	14
C	Slot width	7
D	Fixing point lug outer PCD	260
E	Fixing point lug inner PCD	240
F	Fan blade diameter	200
G	Basket outer diameter	238
H	Basket inner diameter	230
I	Basket depth	45
J	Junction box protrusion	54
K	Fan blade/motor protrusion	21
L	Overall depth	120

All measurements shown are in millimeters  
 Measurements shown have manufacturing tolerances of +/- 2mm



SPECIFICATION					
Motor	PSC	Speed (RPM)	1400	Bearings	Ball
Voltage (V)	220/240	Motor Protection	Th. Prot.	Weight (Kg)	2.5
Frequency (Hz)	50/60	Insulation Class	F	Air Volume (M³/h)	425
Power In/Out (W)	40	Protection Class	IP54	Noise Level (dBA)	45
Current (A)	0.2	Temp. Range	-30 +60	Capacitor (MF)	1.5

**POLE STAR**  
 PRODUCTS LIMITED

POLE STAR PRODUCTS LIMITED  
 Product Code **GMA1-200S4-1**  
 Projection Angle ± 3°   
 Scale: A4  
 Sheet: 1 of 1