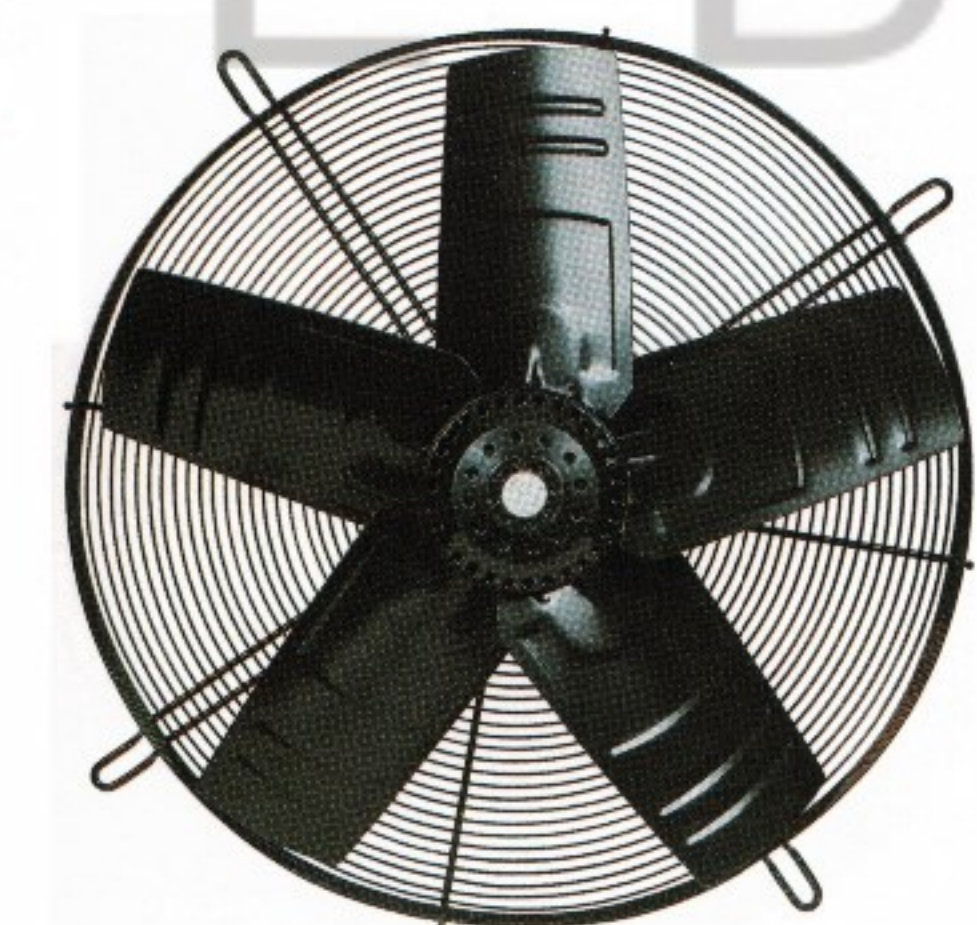
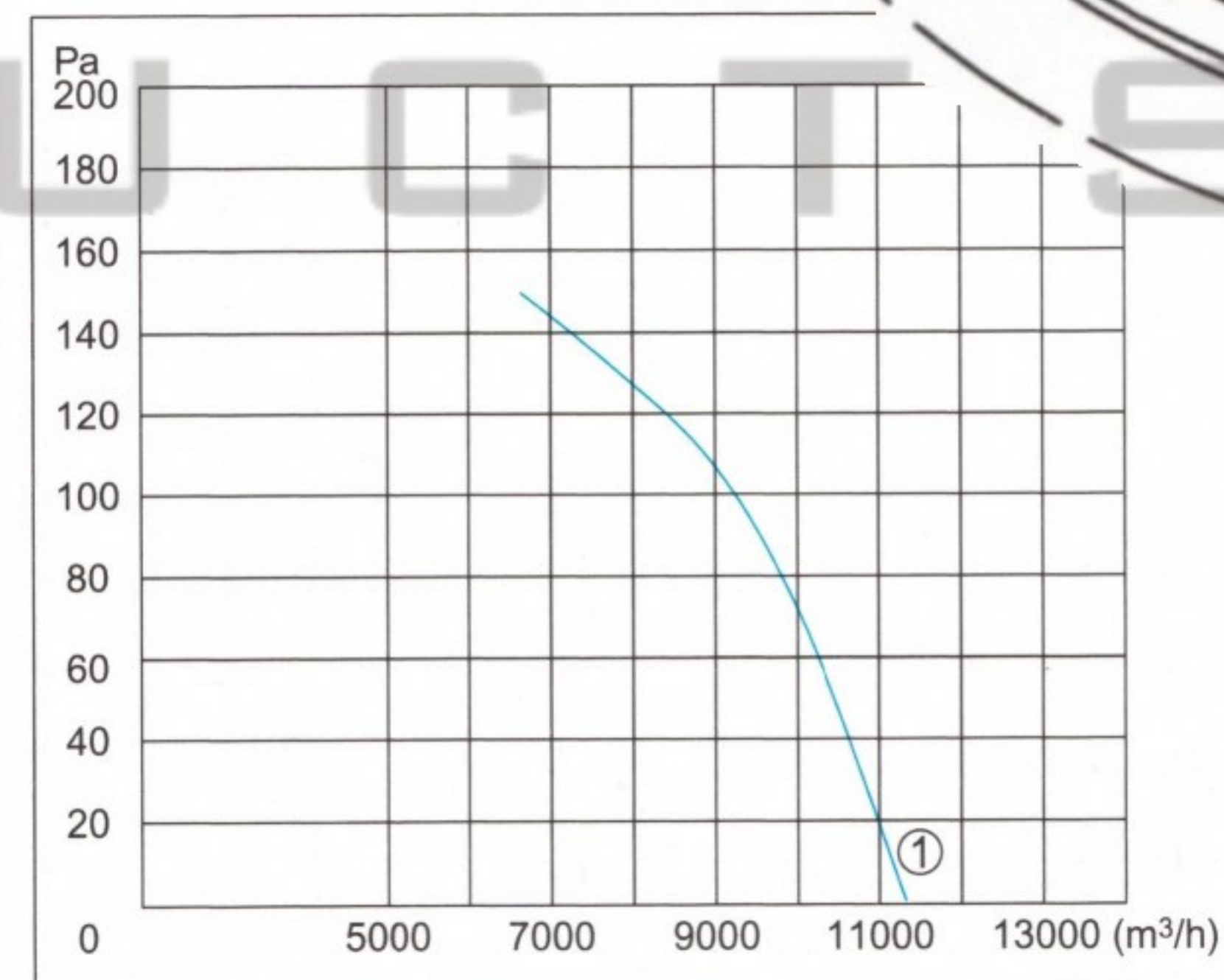
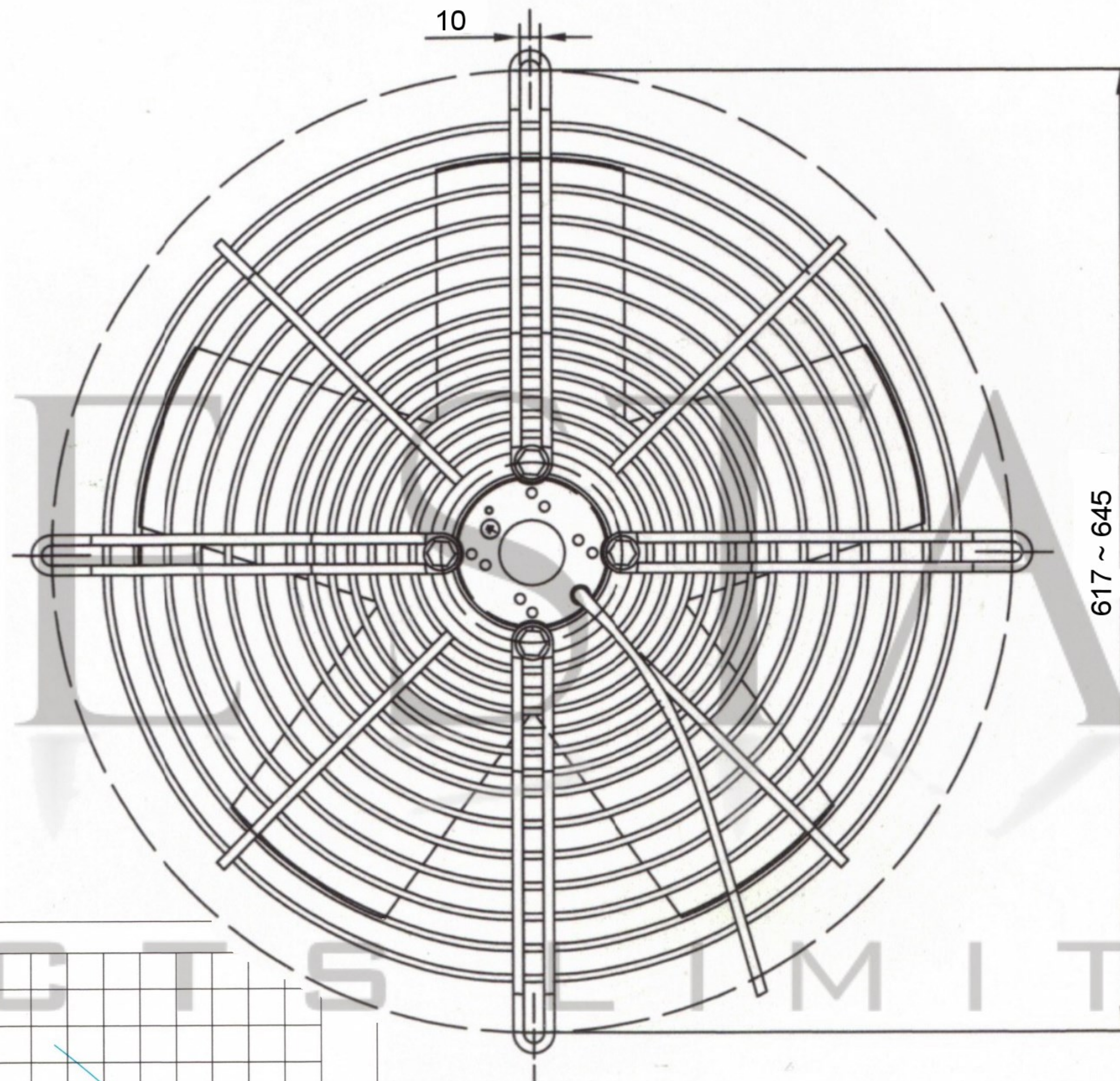
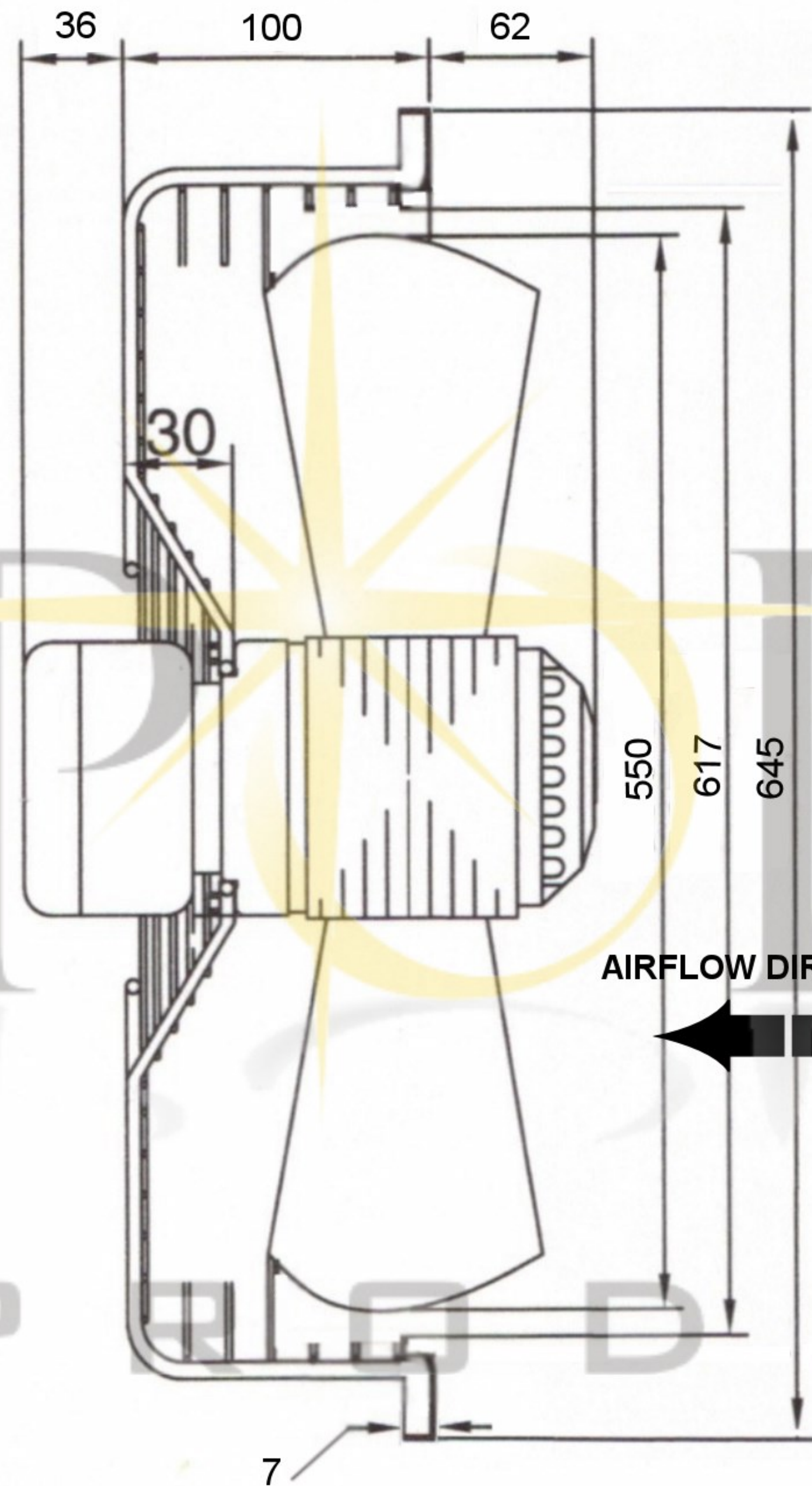


All measurements shown are +/- 2mm



SPECIFICATION					
Motor	PSC	Speed (RPM)	1380	Bearings	Ball
Voltage (V)	220/240	Motor Protection	Th.Prot	Weight (Kg)	12.5
Frequency (Hz)	50/60	Insulation Class		Noise dB(A)	79
Power In/Out (W)	710	Protection Class		Range (meters)	30
Current (A)	3.3	Capacitor (MF)		Air Volume (m3/h)	11300

**POLE STAR**  
PRODUCTS LIMITED

POLE STAR PRODUCTS LIMITED	
Product Code	<b>GMC1-550S4-1</b>
Projection Angle	± 3°
	A4
	Scale:
	Sheet: 1 of