

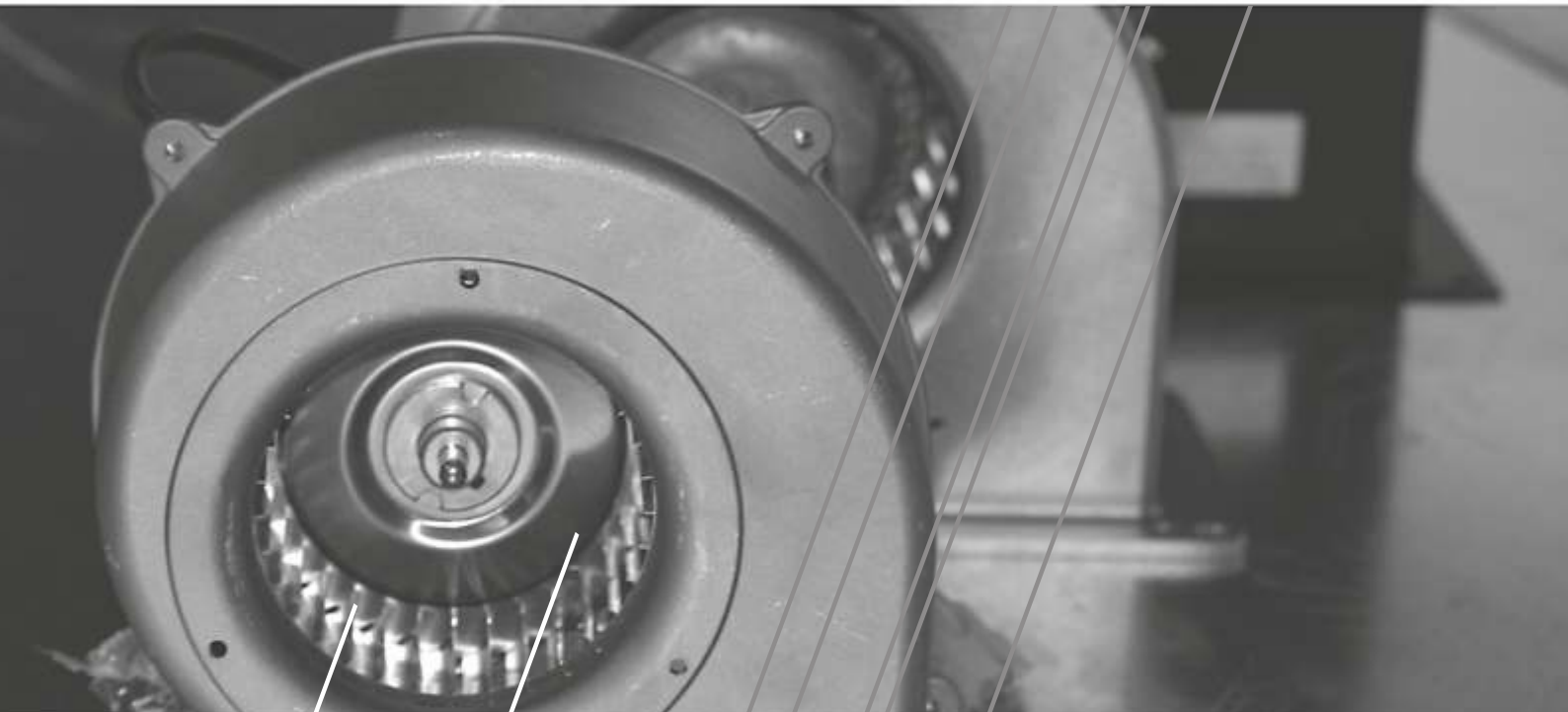


POLE STAR

PRODUCTS LIMITED

ELECTRIC MOTORS, FANS & BLOWERS

ACCESSORIES



www.psp.uk.com

01526 399 711

5 ACCESSORIES

SUB-MENU



PAGES 260 - 262
Fan Blades



PAGES 263 - 268
Fan Impellers



PAGES 269 - 270
Capacitors



PAGES 271 - 272
Controllers



PAGES 273 - 281
Mounting Accessories



5 ACCESSORIES

FAN BLADES

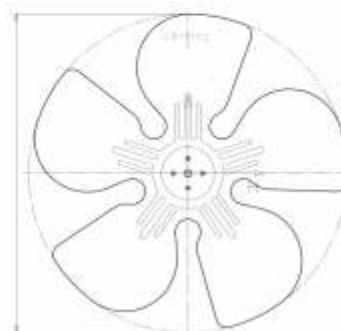
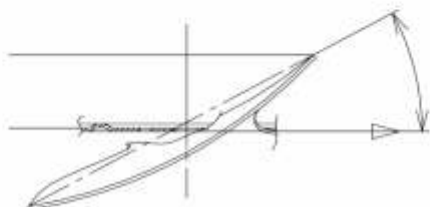
TYPE: AXIAL FAN BLADE

NUMBER OF BLADES: FIVE

MATERIAL: METAL & THERMOPLASTIC

USED WITH: 84 & 33 RANGE SHADED POLE MOTORS

FIXING: 4 PIN FIXING POINT



Aluminium sucking blades

Diameter	Pitch (Degrees)								
	11'	18'	19'	20'	22'	25'	28'	31'	34'
154mm		£ 1.41				£ 1.41	£ 1.41	£ 1.41	£ 1.41
165mm				£ 1.50					
172mm	£ 1.53						£ 1.53	£ 1.53	£ 1.53
200mm			£ 1.64		£ 1.64	£ 1.64	£ 1.64	£ 1.64	£ 1.64
230mm			£ 1.99		£ 1.99	£ 1.99	£ 1.99	£ 1.99	£ 1.99
254mm			£ 2.31				£ 2.31	£ 2.31	£ 2.31
300mm						£ 4.16	£ 4.16	£ 4.16	

Aluminium blowing blades

Diameter	Pitch (Degrees)						
	19'	20'	22'	25'	28'	31'	34'
154mm				£ 1.41		£ 1.41	
165mm		£ 1.50					
172mm				£ 1.53		£ 1.53	£ 1.53
200mm	£ 1.64			£ 1.64	£ 1.64	£ 1.64	£ 1.64
230mm				£ 1.99	£ 1.99	£ 1.99	£ 1.99
254mm	£ 2.31		£ 2.31			£ 2.31	£ 2.31
300mm			£ 4.16			£ 4.16	£ 4.16



Plastic sucking blades

Diameter	Pitch (Degrees)						
	18'	22'	25'	26'	28'	31'	34'
154mm				£ 1.41	£ 1.41		
165mm	£ 3.30						
172mm				£ 1.53	£ 1.53	£ 1.53	
200mm			£ 1.64	£ 1.64	£ 1.64	£ 1.64	£ 1.64
200mm High eff.					£ 2.47		
230mm			£ 1.99			£ 1.99	
254mm		£ 2.31			£ 2.31		

*200mm 28deg available in black



Plastic blowing blades

Diameter	Pitch (Degrees)					
	22'	24'	26'	28'	31'	34'
154mm						
165mm		£ 3.30				
172mm						
200mm					£ 1.64	
230mm						
254mm						
300mm						



5 ACCESSORIES

FAN BLADES

TYPE: AXIAL FAN BLADE

NUMBER OF BLADES: FOUR & FIVE

MATERIAL: METAL (ALUMINIUM & STEEL)

USED WITH: PLAIN SHAFT MOTORS (84R, 33R, 105R)

FIXING: GRUB SCREW

One Piece 4 Bladed Fan with Steel Hub

Part Number	Blade Dimensions		Air Direction with ACW Rotation	Hub bore mm (ins)	Price £
	Diameter	Pitch			
FB-96-4-30-ACW-B-1	96	28	Blowing	4.76(3/16)	£ 5.02
FB-96-4-30-ACW-S-1	96	28	Sucking	4.76(3/16)	£ 5.02
FB-140-4-32-ACW-S-1	140	32	Sucking	6.3(1/4)	£ 11.92
FB-140-4-32-ACW-B-1	140	32	Blowing	6.3(1/4)	£ 11.92



One Piece 5 Bladed Fan with Steel Hub

Part Number	Blade Dimensions		Air Direction with ACW Rotation	Hub bore mm (ins)	Price £
	Diameter	Pitch			
FB-228-5-31-ACW-B-1	228	31	Blowing	7.93(5/16)	£ 13.97
FB-228-5-31-ACW-S-1	228	31	Sucking	7.93(5/16)	£ 13.97
FB-254-5-12-ACW-S-1	254	12	Sucking	7.93(5/16)	£ 14.84
FB-254-5-12-ACW-B-1	254	12	Blowing	7.93(5/16)	£ 14.84
FB-254-5-28-ACW-B-1	254	28	Blowing	7.93(5/16)	£ 14.84
FB-254-5-32-ACW-B-1	254	32	Blowing	7.93(5/16)	£ 14.84



Square/curved 4 bladed fan

Part Number	Blade Dimensions		Air Direction with ACW Rotation	Hub bore mm (ins)	Price £
	Diameter	Pitch			
FB-254-4-28-ACW-S-1	254	28	Sucking	7.93(5/16)	£ 34.92
FB-254-4-30-ACW-B-1	254	30	Blowing	7.93(5/16)	£ 34.92
FB-305-4-34-ACW-B-1	305	34	Blowing	12.7(1/2)	£ 40.86
FB-305-4-34-ACW-S-1	305	34	Sucking	12.7(1/2)	£ 40.86
FB-310-4-28-ACW-B-1	310	28	Blowing	12mm	£ 40.86
FB-310-4-36-ACW-B-1	310	36	Blowing	12mm	£ 40.86
FB-310-4-36-ACW-S-1	310	36	Sucking	12mm	£ 40.86
FB-355-4-24-ACW-B-1	355	24	Blowing	12.7(1/2)	£ 44.37
FB-355-4-24-ACW-S-1	355	24	Sucking	12.7(1/2)	£ 44.37
FB-380-4-30-ACW-B-1	380	30	Blowing	15.9(5/8)	£ 45.20
FB-380-4-34-ACW-B-1	380	34	Blowing	12mm	£ 45.20
FB-406-4-24-ACW-B-1	406	24	Blowing	15.9(5/8)	£ 58.39
FB-406-4-24-ACW-S-1	406	24	Sucking	15.9(5/8)	£ 58.39
FB-460-4-24-ACW-B-1	460	24	Blowing	15.9(5/8)	£ 61.59
FB-510-4-26-ACW-B-1	510	26	Blowing	15.9(5/8)	£ 86.17



5 ACCESSORIES

FAN BLADES & COWLINGS



Oven Cooling Blades

Part Number	Blade Diameter	Blade Material	Number of blades	Blade Height	Hub Diameter	Price £
OFB-150-21-6-6	150	Stainless St.	6	20.5mm	6mm	£ 3.50
OFB-160-28-12-6	160	Stainless St.	12	28mm	6mm	£ 17.43



Metric Frame Cooling Blades

Part Number	Blade Diameter	Blade Material	Range it suits	Number of blades	Hub Diameter	Price £
IE-CB-71	105	Plastic	71 frame	10	13.65	£ 2.56 NEW
IE-CB-80	140	Plastic	80 frame	10	16.5	£ 3.43 NEW
IE-CB-90	155	Plastic	90 frame	10	16.75	£ 3.71 NEW
IE-CB-100	155	Plastic	100 frame	6	28mm	£ 3.94



Metric Frame Fan Cowlings

Part Number	Cowling Diameter	Cowling Length	Range it suits	Cowling Material	Price £
IE-FC-71	135	72	71 frame	Metal	£ 2.56 NEW
IE-FC-80	160	88	80 frame	Metal	£ 3.43 NEW
IE-FC-90	175	87	90 frame	Metal	£ 3.71 NEW
IE-FC-100	195	91	100 frame	Metal	£ 3.94 NEW

5 ACCESSORIES

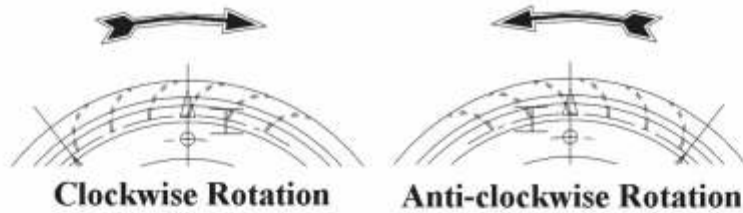
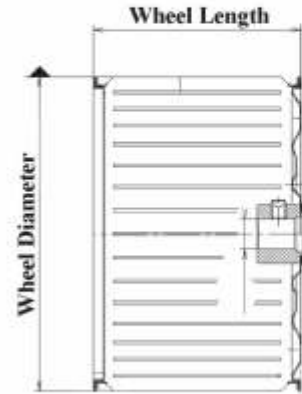
FAN IMPELLERS

TYPE: FORWARD CURVED IMPELLERS

SIZE: SINGLE INLET

MATERIAL: STEEL

CONSTRUCTION: TABLOCK



Steel impellers

Part Number	Diameter mm	Length mm	Rotation Hub Side	Hub Diameter mm	Hub Diameter inches	Price £
SVC97.32S	97	32	ACW	8	-	£ 19.04
SVC97.42D	97	42	CW	8	-	£ 19.11
SVC97.42D-1	97	42	CW	12.7	1/2"	£ 19.11
SVC108.42D	108	42	CW	8	-	£ 19.22
SVC108.42D-1	108	42	CW	12.7	1/2"	£ 19.22
SVC108.42S	108	42	ACW	8	-	£ 19.22
SVC108.52D*	108	52	CW	8	-	£ 19.92
SVC108.62D	108	62	CW	8mm	-	£ 20.03 NEW
SVC120.42D	120	42	CW	8	-	£ 20.19
SVC120.42D-1	120	42	CW	12.7	1/2"	£ 20.19
SVC120.42D-2	120	42	CW	13mm	-	£ 26.00 NEW
SVC120.42S	120	42	ACW	5mm	-	£ 20.19 NEW
SVC120.52D	120	52	CW	12.7	1/2"	£ 20.44
SVC120.52D-1	120	52	CW	8	-	£ 20.44
SVC133.28D	133	28	CW	8mm	-	£ 20.44 NEW
SVC133.52S	133	52	ACW	8	-	£ 20.44
SVC133.52S-1	133	52	ACW	12.7	1/2"	£ 20.44
SVC133.52D	133	52	CW	12.7	1/2"	£ 20.44
SVC140.62D	140	62	CW	12.7	1/2"	£ 21.62
SVC146.52D	146	52	CW	12.7	1/2"	£ 21.69
SVC146.52D-1	146	52	ACW	8mm	-	£ 21.69
SVC146.74S	146	74	ACW	8	-	£ 26.60
SVC160.63D	160	63	CW	12.7	1/2"	£ 27.37
SVC180.74D	180	74	CW	12.7	1/2"	£ 28.76
SVC180.80S	180	80	ACW	12.7	1/2"	£ 28.89
SVC180.92D	180	92	CW	12.7	1/2"	£ 34.88
SVC225.50D-14MM	225	50	CW	14mm	-	£108.50 NEW
SVC225.92D	225	92	CW	12.7	1/2"	£ 34.88

* item not stocked

5 ACCESSORIES

FAN IMPELLERS

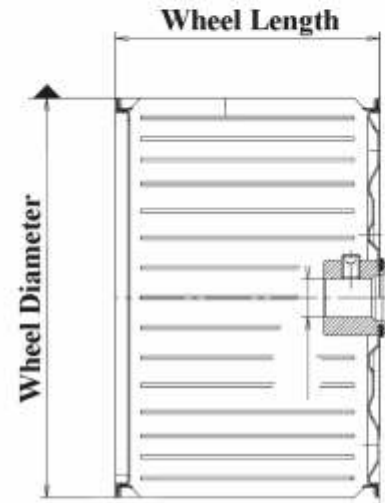
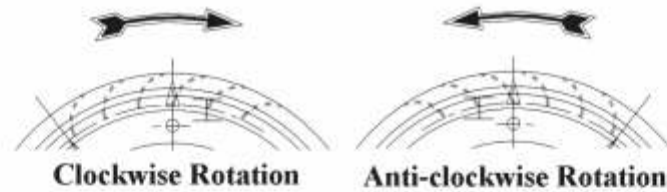
TYPE: FORWARD CURVED IMPELLERS

SIZE: SINGLE INLET

MATERIAL: ALUMINIUM & STEEL

CONSTRUCTION: LADDER & TABLOCK

NOTES: STEEL WHEELS USED FOR BURNER APPLICATIONS



Part Number	Diameter mm	Length mm	Roation Hub Side	Hub Diameter mm	Hub Diameter inches	Price £
2VCL146.102/SP	146	102	ACW	12.7	1/2"	£ 24.99

Ladder construction

Part Number	Diameter mm	Length mm	Roation Hub Side	Hub Diameter mm	Hub Diameter inches	Price £
VCL96.50S	96	50	ACW	12.7	1/2"	£ 10.41
VCL108.74D	108	74	CW	12.7	1/2"	£ 13.14
VCL120.74D	120	74	CW	12.7	1/2"	£ 13.81
VCL120.74S	120	74	ACW	12.7	1/2"	£ 13.81
VCL133.74D	133	74	CW	12.7	1/2"	£ 14.58
VCL146.74D	146	74	CW	12.7	1/2"	£ 14.95
VCL146.74S	146	74	ACW	12.7	1/2"	£ 14.95
VCL160.74D	160	74	CW	12.7	1/2"	£ 17.50
VCL160.74S	160	74	ACW	12.7	1/2"	£ 17.50
VCL180.74D	180	74	CW	12.7	1/2"	£ 19.65
VCL180.88D	180	88	CW	12.7	1/2"	£ 20.37
VCL180.98D	180	98	CW	12.7	1/2"	£ 20.72
VCL180.98S	180	98	ACW	12.7	1/2"	£ 20.72
VCL200.88D	200	88	CW	12.7	1/2"	£ 21.29
VCL238.110D	238	110	CW	12.7	1/2"	£ 28.29



5 ACCESSORIES

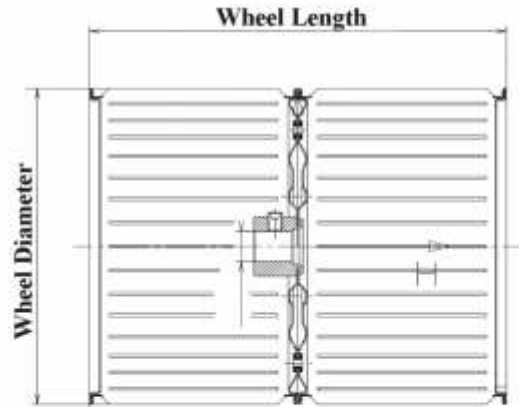
FAN IMPELLERS

TYPE: FORWARD CURVED IMPELLERS

SIZE: DOUBLE INLET

MATERIAL: STEEL

CONSTRUCTION: TABLOCK



Steel wheels

Part Number	Diameter mm	Length mm	Rotation Hub Side	Hub Bore Diameter	Price £
S2VC215.220D	215	220	CW	12.7	£ 40.09
S2VC240.180D	240	180	CW	12.7	£ 55.21
S2VC240.216D	240	216	CW	12.7	£ 58.39
S2VC240.240D	240	240	CW	12.7	£ 62.64
S2VC240.245D	240	245	CW	12.7	£ 62.64
S2VC250.262S	250	262	ACW	12.7	£ 65.49
S2VC280.205D	280	205	CW	12.7	£ 69.02
S2VC280.205S	280	205	ACW	12.7	£ 69.02
S2VC280.270D	280	270	CW	12.7	£ 81.41
S2VC330.242D	330	242	CW	12.7	£ 87.60
S2VC330.242D-1	330	242	CW	15.9	£ 87.60
S2VC330.321D	330	321	CW	15.9	£ 93.81

Bore Dimensions

Diameter	Outer Bore	Diameter	Outer Bore
95	20mm	180	25mm
108	20mm	200	25mm
120	20mm	215	25mm
133	20mm	240	25mm
146	25mm	280	45mm
160	25mm	330	45mm



5 ACCESSORIES

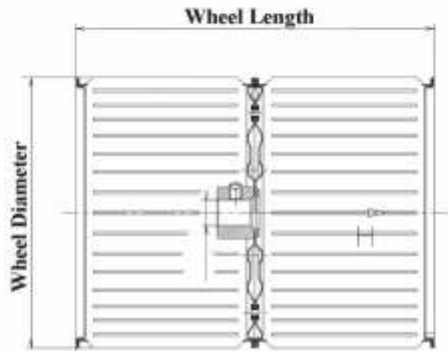
FAN IMPELLERS

TYPE: FORWARD CURVED IMPELLERS

SIZE: DOUBLE INLET

MATERIAL: ALUMINIUM

CONSTRUCTION: LADDER & TABLOCK



Tablock construction
Aluminium wheels (1/2" hub bore)

Length	Diameter										Length	
	95	108	120	133	146	160	180	200	215	240		
100 Rotation	£ 14.96 CW	£ 15.17 ACW			£ 20.97 CW							100 Rotation
120 Rotation								£ 34.18 CW & ACW				120 Rotation
126 Rotation		£ 15.66 CW			£ 21.10 CW	£ 30.61 CW						126 Rotation
146 Rotation			£ 15.72 ACW	£ 17.81 CW & ACW	£ 21.19 CW & ACW	£ 31.95 CW	£ 33.45 CW			£ 44.28 ACW		146 Rotation
176 Rotation			£ 16.54 CW & ACW	£ 17.98 CW & ACW	£ 22.23 CW & ACW	£ 32.30 ACW	£ 33.98 CW & ACW	£ 34.47 CW & ACW	£ 36.48 ACW	£ 55.20 CW		176 Rotation
196 Rotation				£ 18.83 CW & ACW	£ 24.51 CW & ACW	£ 32.58 ACW	£ 34.30 ACW	£ 34.54 CW	£ 36.56 CW	£ 45.11 CW		196 Rotation
216 Rotation				£ 20.01 CW & ACW	£ 25.08 CW & ACW	£ 32.65 ACW		£ 35.02 CW		£ 46.97 CW & ACW		216 Rotation
220 Rotation					£ 29.74 ACW				£ 40.09 CW & ACW			220 Rotation
226 Rotation				£ 20.41 ACW								226 Rotation
240 Rotation		£ 26.42 ACW		£ 26.00 CW & ACW	£ 30.36 CW & ACW		£ 40.35 ACW		£ 39.94 CW	£ 48.94 CW		240 Rotation
300 Rotation					£ 31.69 CW & ACW				£ 43.68 ACW	£ 52.98 CW		300 Rotation

Ladder construction
Aluminium wheels (1/2" hub bore)

Length	Diameter									Length	
	95	108	120	133	146	160	180	200	240		
100 Rotation	£ 14.96 CW	£ 15.17 ACW									100 Rotation
146 Rotation					£ 21.18 ACW						146 Rotation
176 Rotation			£ 16.54 CW & ACW			£ 32.29 ACW	£ 33.97 CW & ACW				176 Rotation
196 Rotation							£ 34.30 CW	£ 34.54 CW			196 Rotation
216 Rotation				£ 19.05 CW & ACW				£ 35.02 CW			216 Rotation
240 Rotation				£ 20.63 ACW	£ 30.35 CW					£ 48.94 CW	240 Rotation

Extended hub shafts available in 146x200 (£26.23)

5 ACCESSORIES

FAN IMPELLERS

TYPE: FORWARD CURVED IMPELLERS

NOTES: SUPPLIED WITH BEARING ATTACHED

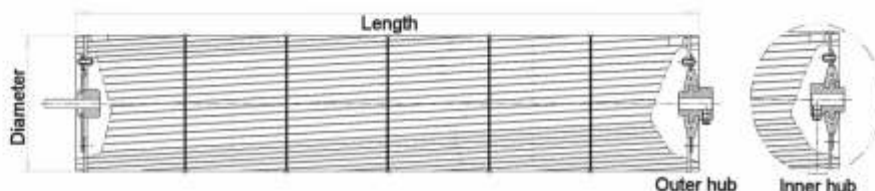
SIZE: 100MM DIAMETER

NOTES: USED WITH XRM RANGE

MATERIAL: ALUMINIUM

NOTES: NON-STOCKED ITEMS (8 PIECE BATCH SIZES)

HUB BORE: 7/93MM (5/16")



Part Number	Wheel Diameter	Wheel Length	Roation Hub Side	In Stock	Price £
CFW100.340D	100	340	CW	No	TBC
CFW100.340S	100	340	ACW	No	TBC
CFW100.385D	100	385	CW	No	TBC
CFW100.385S	100	385	ACW	No	TBC
CFW100.400D	100	400	CW	Yes	£ 47.89
CFW100.400S	100	400	ACW	Yes	£ 47.89
CFW100.485D	100	485	CW	No	TBC
CFW100.485S	100	485	ACW	No	TBC
CFW100.571D	100	571	CW	No	TBC
CFW100.571S	100	571	ACW	No	TBC
CFW100.600D	100	600	CW	Yes	£ 106.37
CFW100.600S	100	600	ACW	Yes	£ 106.37
CFW100.685D	100	685	CW	No	£ 112.14
CFW100.685S	100	685	ACW	No	£ 112.14
CFW100.723D	100	723	CW	Yes	£ 115.21
CFW100.723S	100	723	ACW	Yes	£ 115.21
CFW100.785D	100	785	CW	No	£ 106.94
CFW100.785S	100	785	ACW	No	£ 106.94
CFW100.920D	100	943	CW	Yes	£ 125.91
CFW100.920S	100	943	ACW	Yes	£ 125.91
CFW100.985D	100	985	CW	No	£ 125.72
CFW100.985S	100	985	ACW	No	£ 125.72
CFW100.1185D	100	1185	CW	No	£ 138.62
CFW100.1185S	100	1185	ACW	No	£ 138.62



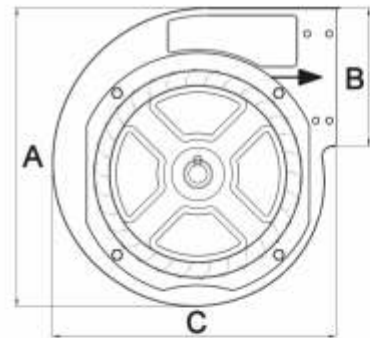
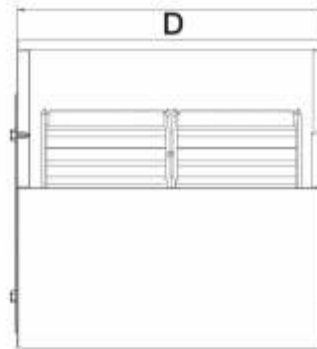
5 ACCESSORIES

SCROLL & WHEELS

TYPE: GALVANISED STEEL SCROLL & ALUMINIUM IMPELLER

FIXING: FLANGE

HUB SIZE: 1/2" (12.7MM)



Part Number	Dimensions (mm)				Wheel Diameter	Wheel Length	Flange Fitted	Price £
	C	D	A	B				
S&W108.176	131	200	141	58	108	176	Yes	£ 33.86
S&W130.190	180	218	180	80	130	190	Yes	£ 36.57
S&W133.146	185	184	191	78	133	146	No	£ 35.21
S&W133.176	185	210	191	78	133	176	Yes	£ 36.08
S&W133.196	185	231	191	78	133	196	Yes	£ 36.57
S&W133.196/1	190	240	185	72	133	196	Yes	£ 36.57
S&W133.216	185	250	191	78	133	216	Yes	£ 40.64
S&W133.240/1	190	270	186	70	133	240	Yes	£ 44.26
S&W140.190	210	225	220	110	140	190	Yes	£ 47.60
S&W140.240	210	270	220	110	140	240	Yes	£ 53.54
S&W146.160	210	200	220	110	146	160	Yes	£ 43.19
S&W146.190	210	220	220	110	146	190	Yes	£ 55.40
S&W146.240	208	275	216	103	146	240	Yes	£ 57.02
S&W146.300	195	335	205	90	146	300	No	£ 61.56
S&W160.160	230	181	235	111	160	160	No	£ 62.45
S&W160.200	220	230	238	110	160	200	Yes	£ 63.40
S&W180.202	265	232	261	121	180	196	No	£ 64.93
S&W180.240	265	276	262	121	180	240	No	£ 70.77
S&W250.250	365	321	320	190	250	250	No	£ 88.40

5 ACCESSORIES

CAPACITORS

TYPE: START & RUN CAPACITORS

SUPPLY: 400/450V FOR USE ON 220/240V SUPPLIES (START RUN)

SUPPLY: 280V FOR USE ON 220/240V SUPPLIES (START ONLY)

CONNECTION: LEADS, 2 PIN & 4 PIN

FIXING: STUD MOUNTING (START RUN)

FIXING: MOUNTING CLIP (START ONLY)

MATERIAL: THERMOPLASTIC & METAL

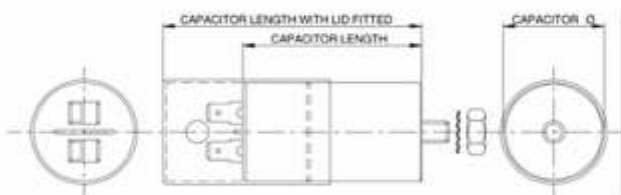
TEMPERATURE RANGE: -25°C TO +70°C (START RUN)

TEMPERATURE RANGE: -10°C TO +50°C (START ONLY)

Run capacitors

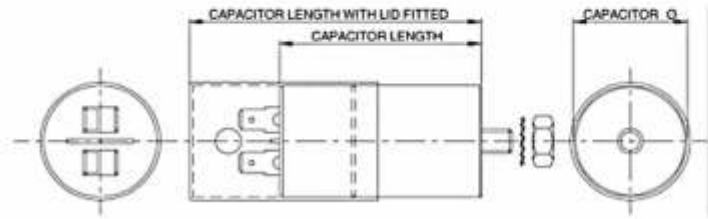
Capacitor Value	Available in:			Dimensions (Approx)		Body Material	Price £
	2 pin	4 pin	Leads	Diameter	Length		
1 MFD	-	Yes	-	30mm	50mm	Plastic	£ 2.16
1.5 MFD	Yes	Yes	-	30mm	50mm	Plastic	£ 2.30
2 MFD	Yes	Yes	Yes	30mm	50mm	Plastic	£ 2.55
2.5 MFD	Yes	Yes	Yes	25mm	60mm	Plastic	£ 2.68
3 MFD	Yes	Yes	Yes	30mm	60mm	Plastic	£ 2.81
3.15 MFD	Yes	-	-	30mm	60mm	Plastic	£ 2.93
4 MFD	Yes	Yes	Yes	30mm	60mm	Plastic	£ 3.06
5 MFD	Yes	Yes	Yes	30mm	50mm	Plastic	£ 3.20
5 MFD	Yes	-	-	30mm	80mm	Metal	£ 3.20
6 MFD	Yes	Yes	Yes	30mm	60mm	Plastic	£ 3.27
6.3 MFD	Yes	Yes	-	30mm	60mm	Plastic & Metal	£ 3.37
8 MFD	Yes	Yes	Yes	30mm	60mm	Plastic	£ 3.44
10 MFD	Yes	Yes	Yes	35mm	60mm	Plastic	£ 3.57
12 MFD	Yes	Yes	Yes	36mm	69mm	Plastic	£ 3.66
12.5 MFD	Yes	-	-	35mm	75mm	Plastic	£ 3.71
14 MFD	Yes	-	-	40mm	70mm	Metal	£ 3.83
15 MFD	Yes	Yes	Yes	40mm	70mm	Plastic	£ 3.96
16 MFD	Yes	Yes	Yes	35mm	70mm	Plastic	£ 4.02
18 MFD	Yes	Yes	-	45mm	70mm	Plastic	£ 4.08
20 MFD	-	Yes	Yes	40mm	75mm	Plastic	£ 4.22
25 MFD	Yes	Yes	Yes	40mm	95mm	Plastic	£ 5.10
30 MFD	-	Yes	-	50mm	85mm	Metal	£ 5.74
30 MFD	-	Yes	-	45mm	75mm	Plastic	£ 5.74 NEW
35 MFD	-	Yes	-	50mm	85mm	Metal	£ 6.37
35 MFD	-	Yes	-	45mm	93mm	Plastic	£ 6.37 NEW
40 MFD	-	Yes	-	52mm	85mm	Metal	£ 7.04
40 MFD	-	Yes	-	45mm	94mm	Plastic	£ 7.04 NEW
45 MFD	-	Yes	-	52mm	100mm	Metal	£ 7.67
45 MFD	-	Yes	-	50mm	95mm	Plastic	£ 7.67 NEW
50 MFD	-	Yes	-	52mm	100mm	Metal	£ 8.31
50 MFD	-	Yes	-	50mm	95mm	Plastic	£ 8.31 NEW
55MFD	-	Yes	-	52mm	100mm	Metal	£ 8.62
55MFD	-	Yes	-	50mm	100mm	Plastic	£ 8.62 NEW
60 MFD	-	Yes	-	52mm	110mm	Metal	£ 8.94
60 MFD	-	Yes	-	50mm	110mm	Plastic	£ 8.94 NEW
70 MFD	-	Yes	-	52mm	128mm	Metal	£ 9.58
70 MFD	-	Yes	-	50mm	122mm	Plastic	£ 9.58 NEW
80 MFD	-	Yes	-	52mm	126mm	Metal	£ 10.93
80 MFD	-	Yes	-	55mm	135mm	Plastic	£ 10.93
90 MFD	-	Yes	-	52mm	130mm	Metal	£ 11.66
90 MFD	-	Yes	-	55mm	135mm	Plastic	£ 11.66
100 MFD	-	Yes	-	52mm	130mm	Metal	£ 12.75
100 MFD	-	Yes	-	55mm	135mm	Plastic	£ 12.75

*Dimensions may vary from those given in table



5 ACCESSORIES

CAPACITORS



Start capacitors - 240V

Part Number	Capacitor Value	Connection Type	Dimensions (Approx)		Body Material	Price £
			Diameter	Length		
PSSTCAP-53/64	53-64 MFD	4 pin	35mm	70mm	Plastic	£ 4.90
PSSTCAP-64/77	64-77 MFD	4 pin	35mm	70mm	Plastic	£ 5.61
PSSTCAP-72/86	72-86 MFD	4 pin	35mm	70mm	Plastic	£ 6.31
PSSTCAP-88/108	88-108 MFD	4 pin	35mm	70mm	Plastic	£ 6.66
PSSTCAP-90/110	90-110 MFD	4 pin	35mm	70mm	Plastic	£ 6.77
PSSTCAP-108/130	108-130 MFD	4 pin	35mm	70mm	Plastic	£ 7.13
PSSTCAP-124/149	124-149 MFD	4 pin	35mm	70mm	Plastic	£ 7.36
PSSTCAP-130/156	130-156 MFD	4 pin	35mm	70mm	Plastic	£ 7.59
PSSTCAP-135/165	135-165 MFD	4 pin	35mm	70mm	Plastic	£ 8.30
PSSTCAP-161/193	161-193 MFD	4 pin	45mm	85mm	Plastic	£ 9.23
PSSTCAP-180/220	180-220 MFD	4 pin	45mm	85mm	Plastic	£ 9.58
PSSTCAP-189/227	189-227 MFD	4 pin	45mm	85mm	Plastic	£ 9.93
PSSTCAP-216/259	216-259 MFD	4 pin	45mm	85mm	Plastic	£ 10.16

Capacitor Mounting Clips

Part Number	Coating	Grip Diameter	Price £
CSC25	Zinc Plated	25mm	£ 1.48
CSC28	Zinc Plated	28mm	£ 1.48
CSC32	Zinc Plated	32mm	£ 1.48
CSC35	Zinc Plated	35mm	£ 1.48
CSC38	Zinc Plated	38mm	£ 1.48
CSC51	Zinc Plated	51mm	£ 1.76



5 ACCESSORIES

CONTROLLERS

- SPEED CONTROLLERS
- TRANSFORMERS
- SWITCHES
- THERMOSTATS
- PLUGS

Variable Speed Controllers

Part Number	Maximum Amp Rating	Temperature Rating	Box Dimensions (mm)			Dial Details	Price £
			Height	Width	Depth		
PSVEV	1.5A	-	42	32	60	6mmx38	£ 20.39
PSVSC-3A	3A	25 C	55	43	28	Dial	£ 29.33
PSVSC-3A-B	3A	25 C	55	43	28	Dial	£ 29.33
PSVSC-5A	5A	25 C	60	40	36	Dial	£ 38.26
PSVSC-6A*	6A	25 C	n/a	n/a	n/a	Dial	£ 49.04
PSVSC-8A*	8A	40 C	n/a	n/a	n/a	Dial	£ 88.40
PSVSC-10A	10A	25 C	n/a	n/a	n/a	Dial	TBC
PSVSC-15A	15A	25 C	n/a	n/a	n/a	Dial	TBC

Notes - They contain a high gain RFI noise suppression filter, minimum speed trimpot and a flame retardant ABS enclosure.

Notes - Items marked * may not be available from stock



PSEV



PSVSC-3A-B



PSVSC-BOXED



PSVSC

Boxed Variable Speed Controllers

Part Number	Maximum Amp Rating	Temperature Rating	Box Dimensions (mm)			Dial Details	Price £
			Height	Width	Depth		
PSVSC-3A-BOXED	3A	25 C	115	72	53 (65inc. Dial)	Dial	£ 36.78
PSVSC-5A-BOXED	5A	25 C	115	72	53 (65inc. Dial)	Dial	£ 45.72

Transformers

Part Number	Maximum Power (W)	Speed Output	Height	Box Dimensions		Price £
				Width	Depth	
TRAS.008	50W	7	50	57	42	£ 25.53
TRAS.004	100W	7	60	70	60	£ 26.25



TRAS.008



TRAS.004

Switches

Part Number	Switch Type	Number of Positions	Switch Shape	Switch Dimension			Price £
				Height	Width	Depth	
PSKC.001	Rotary	3 & off	Square	43	40	20	£ 30.63
PSKC.002	Rotary	3 & off	Square	30	30	28	£ 30.63
PSSW.001	Rocker	2 & off	Square	20	23	22	£ 15.66
PSSW.002	Rocker	3	Square	30	25	32	£ 15.31
PSSW.003	Rocker	on & off	Rectangular	31	13	20	£ 15.23
PSSW-2SP	Rocker	on & off	Circular	14.6	17.6	17.6	£ 7.67
PSSW-2SP-RED	Rocker	on & off	Circular	14.6	17.6	17.6	£ 7.67



PSSW.2SP

PSSW.2SP - REAR



PSSW.002



PSSW.001



PSSW-2SP-RED ILLUMINATED REAR



PSSW-2SP-RED ILLUMINATED - ON



PSSW-2SP-RED ILLUMINATED - OFF

5 ACCESSORIES

CONTROLLERS

- SPEED CONTROLLERS
- TRANSFORMERS
- SWITCHES
- THERMOSTATS
- PLUGS



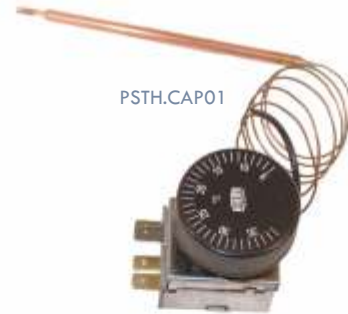
PSCAPC-1000



PSPUG180

THERMOSTAT

Part Number	Thermostat Type	Temperature Cut out	Price £
PSTH-CAP01	Capillary Action	-	£ 40.50
PSTH.001	Pipe thermostat	LTC 35-50°C	£ 34.04



PSTH.CAP01

PLUGS

Part Number	Number of Pins	Lead attached?	Price £
Psplug	3	No	£ 10.55

CABLE

Part Number	Cable Length	Cable application	Plug connector	Price £
PL2.5M-1	2500mm	General	UK mains	£ 4.67
PL3M-1.5	3000mm	General	UK mains	£ 3.23
PSCAPC.1000	1000mm	Compact axial	2 pin female	£ 1.85
PSCAPC.2000	2000mm	Compact axial	2 pin female	£ 3.60
84PC-1	1000mm	84R special	3 pin female	£ 1.81
84PC-2	2000mm	84R special	3 pin female	£ 1.90
K31CA	1000mm	84R PSC	9 wire	£ 12.76



PSTH.001



PL2.5M



K31CA



PL9



PL10



PL12



PL4



PL5



PL6



PL1



PL3



PL2



84PC-2A

5 ACCESSORIES

MOUNTING RINGS

TYPE: FAN ASSEMBLY MOUNTING RINGS

MATERIAL: METAL & THERMOPLASTIC

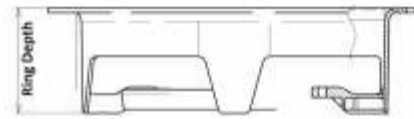
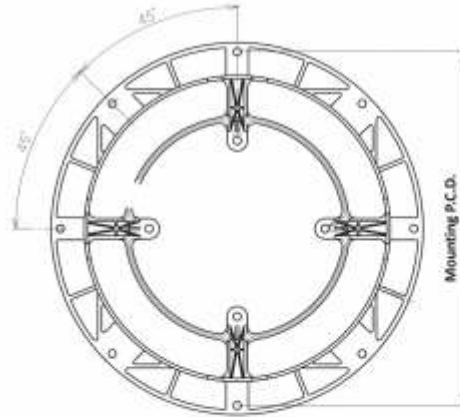
TEMPERATURE RATING: -35°C TO +90°C FOR THE PLASTIC RINGS

NOTES:

CIRCULAR & SQUARE CUT DESIGN

SUCKING & BLOWING CURVED OUTLETS

USED WITH 84 RANGE SHADED POLE MOTORS



Part Number	Material	Suggested Airflow	Inside Diameter	Outside Diameter	Mounting PCD	Ring Depth	Intended Blade Diameter	Price £
RB-154M	Metal	Sucking	162	200	190	49	154	£ 2.39
RB-154P	Plastic	Sucking	162	200	190	49	154	£ 2.39
RB-154M-B	Metal	Blowing	162	200	190	36	154	£ 2.39
RB-172M	Metal	Sucking	180	220	208	49	172	£ 2.55
RB-172P	Plastic	Sucking	180	220	208	49	172	£ 2.55
RB-172M-SQ	Metal	Sucking	180	220	208	49	172	£ 3.23
RB-172M-B	Metal	Blowing	180	220	208	36	172	£ 2.55
RB-200M	Metal	Sucking	208	248	236	49	200	£ 2.67
RB-200M-D	Metal	Sucking	208	248	236	60	200	£ 3.35
RB-200P	Plastic	Sucking	208	248	236	49	200	£ 2.67
RB-200M-SQ	Metal	Sucking	208	248	236	49	200	£ 3.23
RB-200M-B	Metal	Blowing	208	248	236	36	200	£ 2.67
RB-230M	Metal	Sucking	238	278	265	49	230	£ 2.82
RB-230P	Plastic	Sucking	245	283	265	49	230	£ 2.82
RB-230P-SQ	Plastic	Sucking	245	283	265	49	230	£ 3.60
RB-230M-B	Metal	Blowing	245	278	265	36	230	£ 3.26
RB-254M	Metal	Sucking	262	302	290	49	254	£ 3.72
RB-254P	Plastic	Sucking	262	302	290	49	254	£ 3.72
RB-254M-B	Metal	Blowing	262	302	290	36	254	£ 3.72
RB-300M	Metal	Sucking	308	350	344	49	300	£ 3.96
RB-300M-B	Metal	Blowing	308	350	344	36	300	£ 3.96

5 ACCESSORIES

MOUNTING - GUARDS

TYPE: GRID & GUARD ASSEMBLY WIRE GUARDS

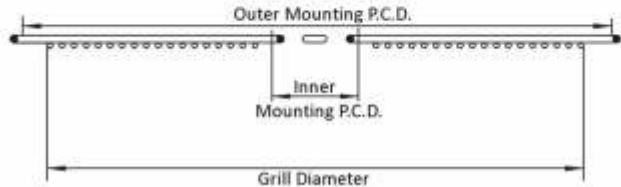
MATERIAL: METAL BLACK PVC COATED

USED WITH 84 RANGE & GUARD MOUNTED AXIAL RANGE



Suits 84 range fans

Part Number	Finish	Intended Blade Diameter	Inside Diameter	Maximum Diameter	Mounting PCD	Guard Depth	Price £
MG-154M	Chrome	154	170	202	190	11	£ 4.65
MG-172M	Chrome	172	188	220	208	11	£ 4.87
MG-200M	Chrome	200	214	248	236	25	£ 5.10
WMGR200	Black PVC	200	207	250	238	50	£ 9.46
MG-230M	Chrome	230	246	278	266	27	£ 5.32
MG-254M	Chrome	254	270	300	294	17	£ 5.59
MG-254M-1	Chrome	254	270	300	294	27	£ 5.59
MG-300M	Chrome	300	324	354	344	17	£ 5.81



Suits guard mounted axial range

Part Number	Guard Design	Intended Blade Diameter	Mounting P.C.D. Outer	Mounting P.C.D. Inner	Outer Grill Dia.	Guard Depth	Available with Concave centre?	Price £
GMAG-200-FLAT	Flat	200mm	260	59	225	-	No	£ 6.37
GMAG-200-BSK	Basket	200mm	260	59	225	45	n/a	£ 6.37
GMAG-250-FLAT	Flat	250mm	320	59	288	-	Yes	£ 6.83
GMAG-250-BSK	Basket	250mm	320	59	275	45	n/a	£ 6.83
GMAG-300-FLAT	Flat	300mm	360	59	333	-	Yes	£ 7.67
GMAG-300-BSK	Basket	300mm	360	59	325	60	n/a	£ 7.67
GMAG-315-BSK	Basket	315mm	390	59	335	60	n/a	£ 8.25
GMAG-330-BSK	Basket	330mm	402	90	350	80	n/a	£ 8.69
GMAG-350-FLAT	Flat	350mm	422	90	385	-	Yes	£ 9.10
GMAG-350-BSK	Basket	350mm	422	90	375	80	Yes	£ 9.10
GMAG-380-BSK	Basket	380mm	450	90	400	80	n/a	£ 9.90
GMAG-400-FLAT	Flat	400mm	470	90	435	-	Yes	£ 10.51
GMAG-400-BSK	Basket	400mm	470	90	425	90	n/a	£ 10.51
GMAG-420-FLAT	Flat	420mm	490	90	455	-	No	£ 11.10
GMAG-420-BSK	Basket	420mm	490	90	455	90	n/a	£ 11.10
GMAG-450-FLAT	Flat	450mm	522	90	487	-	Yes	£ 11.84
GMAG-450-BSK	Basket	450mm	522	90	475	90	n/a	£ 11.84
GMAG-500-FLAT	Flat	500mm	570	120	537	-	Yes	£ 13.16
GMAG-500-BSK	Basket	500mm	570	120	525	90	n/a	£ 13.16
GMAG-550-FLAT	Flat	550mm	622	120	587	-	Yes	£ 14.46
GMAG-550-BSK	Basket	550mm	622	120	578	100	n/a	£ 14.46
GMAG-600-FLAT	Flat	600mm	679	120	620	-	Yes	£ 15.77
GMAG-600-BSK	Basket	600mm	679	120	620	100	n/a	£ 15.77
GMAG-630-FLAT	Flat	630mm	750	120	656	-	Yes	£ 17.08
GMAG-630-BSK	Basket	630mm	750	120	655	100	n/a	£ 17.08
GMAG-710-BSK	Basket	710mm	840	141	805	186	n/a	£ 39.28
GMAG-800-BSK	Basket	800mm	920	141	885	186	n/a	£ 45.66
GMAG-900-BSK	Basket	900mm	1075	141	1040	186	n/a	£ 56.92

* We charge £8.00 if you require us to fit an additional guard to your unit

* When a guard with a larger inner PCD is used a GMA-Adaptor is also required £10.89

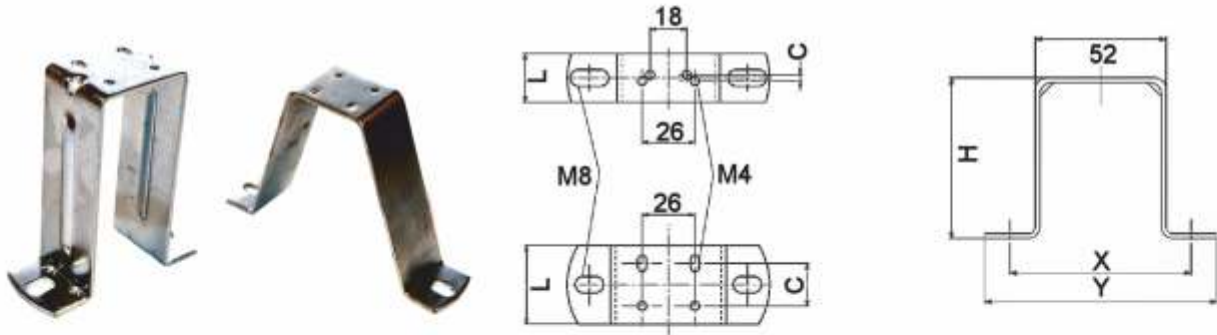
5 ACCESSORIES

MOUNTING - PEDESTALS

TYPE: FAN ASSEMBLY BRACKETS

MATERIAL: METAL

NOTES: STRAIGHT AND V SHAPE DESIGNS
USED WITH 84 & 33 RANGE SHADED POLE MOTORS



Straight Leg

Part Number	Leg Height (H)	Mounting Point (X)	Bracket Width (Y)	Bracket Depth (L)	Fixing Hole Depth (C)	Price £
PBS-39/81	39	81	106	24	3	£ 1.73
PBS-52/81	52	81	106	24	3	£ 1.93
PBS56/78	56	78	100	25	18	£ 2.05
PBS-60/86	60	86	106	25	-	£ 2.06
PBS-72/81	72	81	106	24	3	£ 2.08
PBS-74/86	74	86	106	25	-	£ 2.22
PBS-75/78	75	78	100	25	-	£ 2.23
PBS-84/78	84	78	100	39	21	£ 2.26
PBS-84/81	84	81	106	24	3	£ 2.26
PBS-86/78	86	78	100	25	-	£ 2.35
PBS-88/78	88	78	100	40	-	£ 2.46
PBS-89/78	89	78	100	25	-	£ 2.47
PBS-92/78	92	78	100	40	-	£ 2.51
PBS-95/78	95	78	100	25	-	£ 2.52
PBS-109/78	109	78	100	39	21	£ 2.59
PBS-109/78-1	109	78	100	49	35	£ 2.59
PBS-110-78	110	78	100	25	-	£ 2.59

Angle Leg

Part Number	Leg Height (H)	Mounting Point (X)	Bracket Width (Y)	Bracket Depth (L)	Fixing Hole Depth (C)	Price £
PBV-52/130	52	130	152	24	3	£ 2.08
PBV-56/133	56	133	152	25	-	£ 2.16
PBV-67/145	67	145	167	25	-	£ 2.19
PBV-72/159	72	159	181	24	3	£ 2.08
PBV-82/159	82	159	181	25	-	£ 2.25
PBV-84/142	84	142	164	24	3	£ 2.26
PBV-90/110	90	110	132	49	35	£ 2.43
PBV-112/150	112	150	172	39	21	£ 2.70

5 ACCESSORIES

MOUNTING BASES

TYPE: RESILIENT MOUNTING BASES

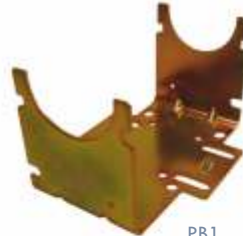
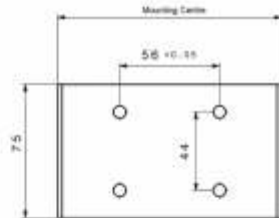
SIZE: SINGLE INLET

MATERIAL: GALVANISED STEEL

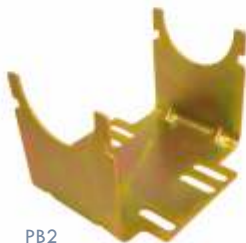
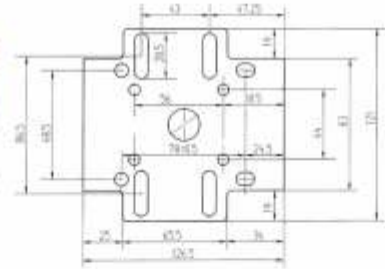
NOTES: SUITS OUR FAN COIL MOTORS



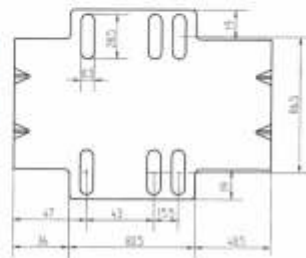
NB1



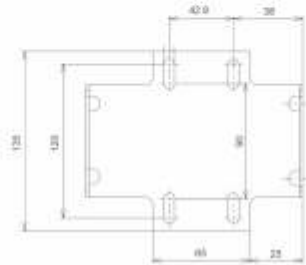
PB1



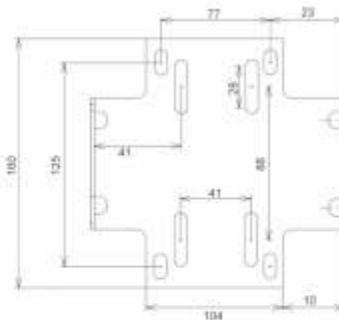
PB2



PB3



PB4



Mounting base height extender

Part Number	Height Extension	Price £
RBH-20	20mm	£ 9.91
RBH-30	30mm	£ 9.91
RBH-40	40mm	£ 9.91

Fan coil resilient mounting bases

	Mounting Centre								
	97	111	118	123	132	143	153	163	190
67	£ 8.53	£ 8.85	£ 8.85	£ 8.20	£ 9.31	£ 9.74	£ 9.74	£ 7.63	
Style	NB1	NB1	NB1	NB1	NB1	NB1	NB1	PB2	
76	£ 7.63	£ 7.63	£ 7.63	£ 7.63	£ 9.72		£ 10.12		
Style	PB3	NB1 & PB1	PB4	NB1	NB1		NB1		
89	£ 7.63	£ 7.63	£ 7.63	£ 7.63	£ 7.63		£ 9.62		£ 9.83
Style	PB3	NB1, PB3	NB1	NB1	NB1		NB1, PB1		PB3
95	£ 9.74	£ 7.63	£ 9.16	£ 7.63	£ 9.72		£ 9.83		
Style	NB1	NB1	NB1	NB1	NB1		NB1		
101				£ 7.63	£ 7.63				
Style				NB1	NB1				
106				£ 9.72					
Style				NB1					

*Other sizes and dimenions are stocked but often only low quantities are kept

5 ACCESSORIES

MOUNTING ARRANGEMENTS

Mounting arrangement - feet

Model Number	DD Type	Price £
DD7F	7/5 & 7/7	£ 10.30
DD9F	9/7 & 9/9	£ 10.81
DD10F	10/8 & 10/10	£ 11.40
DD12F	12/9 & 12/12	£ 12.85

Resilient base accessories

Code	Description	Price £
RES-CLIPS	Resilient clips	£ 2.29
RR55-12	55mm diameter rings	£ 5.67



RR55-12

Radial mounting accessories

Code	Description	Price £
BMKS	3 arm bracket set (standard)	£ 14.56
BMKL	3 arm bracket set (long)	£ 18.21
BMK-HD3	3 arm bracket set (heavy duty)	£ 20.77
BMK-HD4	4 arm bracket set (heavy duty)	£ 27.68
EBM-BKT1	Backward curved mounting bracket	TBC
BB105	Belly band, 105mm diameter	£ 14.19
BB105-BK3	Belly band & arms 105 dia.	£ 21.00 NEW
BB120	belly band, 120mm diameter	£ 17.77
BB120-BK3	Belt band & arms 120 dia.	£ 24.58 NEW

Anti-vibration plate mounts

Part Number	Hole Centres	Price £
PSFDAV-25.4	25.4mm	£ 23.06
PSFDAV-34.9	34.9mm	£ 23.06
PSFDAV-44.5	44.5mm	£ 23.06



PS-V.MOUNT

Anti-vibration mounting arms

Part Number	Length	Depth	Width	Hole Centres	Hole Size	Price £
PS-V.MOUNT	57mm	10mm	12.5mm	46mm	M5	£ 6.12 each
PS-V.MT.DD						£ 4.58



BMK-HD3



BMKL



BMKS



BB105



BB120

Anti-vibration fixings

Part Number	Thread	Rubber Diameter	Rubber Length	Stud Length	Price £
VM-1010-M4-1	M4	10mm	10mm	10mm	£ 2.41
VM-1320-M5-1	M5	13mm	20mm	10mm	£ 2.53
VM-1510-M5-1	M5	15mm	10mm	12mm	£ 2.67
VM-1515-M5-1	M5	15mm	15mm	12mm	£ 2.53
VM-1515-M5-2	M5	15mm	15mm	11mm	£ 2.53
VM-1520-M6-1	M6	15mm	20mm	15mm	£ 3.57
VM-2520-M6-1	M6	25mm	20mm	17mm	£ 3.43
VM-2520-M6-2	M6	25mm	20mm	12mm	£ 3.43
VM-3025-M8-1	M8	30mm	25mm	20mm	£ 4.84
VM-4038-M10-1	M10	40mm	38mm	25mm	£ 7.65
VM-5035-M10-1	M10	50mm	35mm	25mm	£ 8.13

Inlet rings

Part Number	Outer Diameter	Inlet Depth	Inner Diameter	Price £
IR-133-BPI	125	13	87	£ 6.66
IR-175-BPI	170	14	125	£ 7.24
IR-220-BPI	252	21	156.2	£ 7.67
IR-225-BPI	223	28	145	£ 8.23
IR-250-BPI	255	33	167	£ 8.90
IR-280-BPI	280	35	182.5	£ 9.63
IR-400-BPI	400			£ 15.99 NEW

ANTI VIBRATION FIXINGS

INLET RING



5 ACCESSORIES

MOUNTING FLANGES

TYPE: FLANGE MOUNTING

MATERIAL: GALVANISED STEEL & PAINTED STEEL

33 Range mounting flange & accessories



Code: 33-MB-1 £ 9.16

Triangular mounting bracket



Code: 33-FL-1 £ 11.45

Flanged endshield mount. May be drilled or slotted and fixed to the motor body.



Code: 33-HSG-1 £ 14.14

Heat sink guard suitable for high ambient applications



Code: 33-CG-1 £ 5.71

Cork gasket used with flange mounting



Code: 33-FL-1 33 £ 19.74

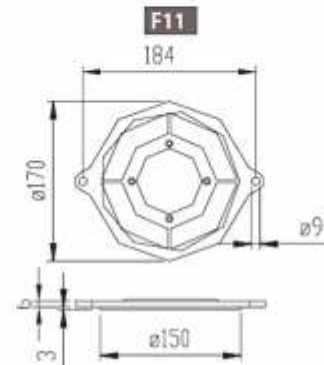
Range flange

Direct drive flanges

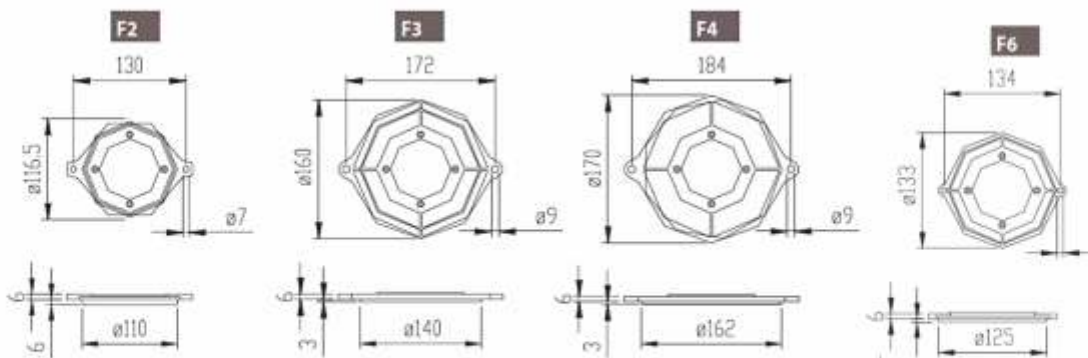
Model Number	DD Type	Dimension				Price £
		R	S	T	U	
DDF7/5	7/5	252	212	230	190	£ 10.69
DDF7/7	7/7	252	274	230	250	£ 11.00
DDF9/7	9/7	305	278	280	256	£ 11.39
DDF9/9	9/9	305	345	280	320	£ 12.01
DDF10/8	10/8	330	310	310	285	£ 13.15
DDF10/10	10/10	330	375	310	350	£ 13.35
DDF12/9	12/9	385	355	360	330	£ 14.13
DDF12/12	12/12	385	435	360	410	£ 15.82
DDF15/15	15/15	445	520	420	490	£ 39.90
CB-FL1	CB133-190	132	264	Central hole M5	250	£ 19.74
CB-FL2	CB133-190	132	264	Central hole M6	250	£ 19.74
CB-FL3	CB133-190	150	270	120	250	£ 19.74

Flanges

Part Number	Description	Mounting P.C.D.	Shoulder Diameter	Price £
BMF2	F2	130	110	TBC
BMF3	F3 - Nema 1	172	140	£ 14.01
BMF4	F4 - Nema 2	184	162	£ 14.01
BMF6	F6	134	125	TBC
BMF11	F11	180	-	TBC



Burner motor flanges are currently available on a 3-4 day delivery



5 ACCESSORIES

SHAFT ADAPTERS & BRACKETS

TYPE: VARIOUS SHAFT ACCESSORIES

- SHAFT SLEEVES
- MOUNTING BRACKETS & BEARINGS
- EXTENSION PIECES



Shaft Sleeves - £2.55

Inside Diameter	5mm	6mm	1/4"	1/4"	5/16"	5/16"	3/8"
Outside Diameter	1/4"	1/2"	5/16"	3/8"	3/8"	1/2"	1/2"
Shaft Length	n/a	18mm	n/a	n/a	25mm	25mm	30mm
Part Number	SS5mm-1/4	SS6mm-1/2	SS1/4-5/16	SS1/4-3/8	SS5/16-3/8	SS5/16-1/2	SS3/8-1/2

Inside Diameter	3/8"	7/16"	1/2"	1/2"	1/2"	1/2"	5/8"
Outside Diameter	7/16"	1/2"	14mm	15mm	5/8"	17mm	3/4"
Shaft Length	25mm	25mm	38mm	n/a	38mm	n/a	38mm
Part Number	SS3/8-7/16	SS7/16-1/2	SS1/2-14mm	SS1/2-15mm	SS1/2-5/8	SS1/2-17mm	SS5/8-3/4

Shaft Coupling - £7.35

Diameter from - to	1/2" - 5/16"	1/2" - 3/8"	1/2" - 7/16"	3/8" - 5/16"	7/16" - 5/16"	7/16" - 3/8"
Code	SEXT1/2-5/16	SEXT1/2-3/8	SEXT1/2-7/16	SEXT3/8-5/16	SEXT7/16-5/16	SEXT7/16-3/8



PLUG120



P3951BLK



ADAPTOR-1/2"

Shaft Adapters

Part Number	Inside Diameter	Outside Diameter	length	Price £
Adaptor-1/2"	M6	1/2"	19mm	£ 2.55

Shaft End Caps

Part Number	Motor Range	Price £
P3951BLK	105 Range	£ 2.55
PLUG120	120 Range	£ 2.55



PSTBB.001

Triangular bearing brackets & parts

Part Number	Description	Fixing hole P.C.D.s	Price £
PSTBB.001	1/2" bore with ball bearing	142/162/184mm	£ 42.44
PSTBB.002	Triangular bearing bracket	290/312/364/392/424/468mm	£ 42.44
PSBB-0.5	1/2" bearing	-	£ 10.82
PSBB-0.6265	5/8" bearing	-	£ 10.82
PSBB-0.75	3/4" bearing	-	£ 12.81
PSBB-1.0	1" bearing	-	£ 13.23



PSSC.003

Miscellaneous parts

Part Number	Description	Price £
PSSE.001	Shaft extension piece, 1/2"	£ 6.78
PSSC.001	Shaft coupling, 1/2" bore, 57mm long	£ 11.08
PSSC.003	Spring shaft coupling	£ 25.64



PSSE.001



PSSC.001

5 ACCESSORIES

WIRE PROTECTION GUARDS

TYPE: FINGER PROTECTION GUARDS

MATERIAL: ZINC & PVC COATED STEEL

USED WITH COMPACT AXIAL & REFRIGERATION FANS

Wire protection guards

Part Number	Blade Diameter	Mounting P.C.D.	Inside Diameter	Overall Depth	Annular Wires	Wire Coating	Price £
WPG154	154	190	160	27	7	Black PVC	£ 4.54
WPG172	172	208	178	27	8	Black PVC	£ 4.73
WPG200	200	238	207	27	9	Black PVC	£ 4.83
WPG230	230	266	238	27	9	Black PVC	£ 5.28



WPG154



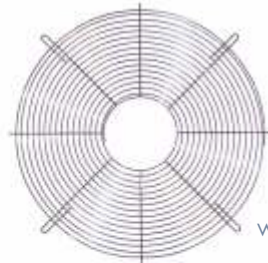
WPG172



WPG200

OEM use protection guards

Part Number	Blade Diameter	Mounting P.C.D.	Inside Diameter	Overall Depth	Annular Wires	Wire Coating	Price £
WPG520	520	579	520	Flat	16	Black PVC	£ 11.34
WPG530	520	-	530	Flat	18	Black PVC	£ 11.34
WPG700	700	745	697	Flat	26	Chrome	£ 13.28



WPG520



WPG530

Compact axial protection guards

Part Number	Fixing Hole Width	Overall Width	Overall Depth	Price £
MFG06	50	56	5	£ 2.65
MFG08	71.5	76	5.5	£ 1.41
MFG09	82.5	90	5.5	£ 1.50
MFG12	105	115.6	5.5	£ 1.60
MFG15	162	154.4	6.45	£ 1.79



MFG

Plastic Fan Filers

Part Number	Fixing Hole Width	Overall Width	Overall Depth	Price £
PFF06	50	60	4	£ 3.70
PFF08	71.4	83.8	3.5	£ 3.95
PFF09	82.5	92	4	£ 4.00
PFF12	104.8	118.9	3.5	£ 4.07
PFF15	162	182	4.15	£ 4.34



PFF

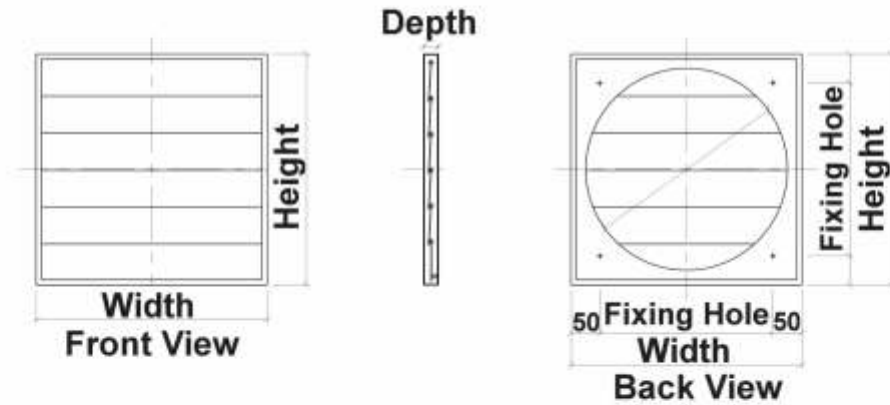
Filter material

Code	Size	Price
PSFM.001	Per fan deck	£ 13.61

5 ACCESSORIES

LOUVRE SHUTTER

ALL WEATHER LOUVRE
VANES AUTOMATICALLY OPEN WITH AIRFLOW
FITS INDEPENDENTLY OF FAN
FIXING SCREWS SUPPLIED
BLACK PAINTED



Part Number	Suits Fan Size	Overall Height	Overall Width	Louve Depth	Fixing Holes	Unit Price
PS-GLS-250	250mm	300	300	26	225	£ 17.93
PS-GLS-300	300mm	350	350	26	255	£ 23.29
PS-GLS-350	350mm	400	400	26	300	£ 29.48
PS-GLS-400	400mm	450	450	26	333	£ 36.51
PS-GLS-450	450mm	500	500	30	370	£ 44.45
PS-GLS-500	500mm	550	550	30	403	£ 53.02
PS-GLS-550	550mm	600	600	30	442	£ 62.51
PS-GLS-630	630mm	700	700	30	524	£ 83.98