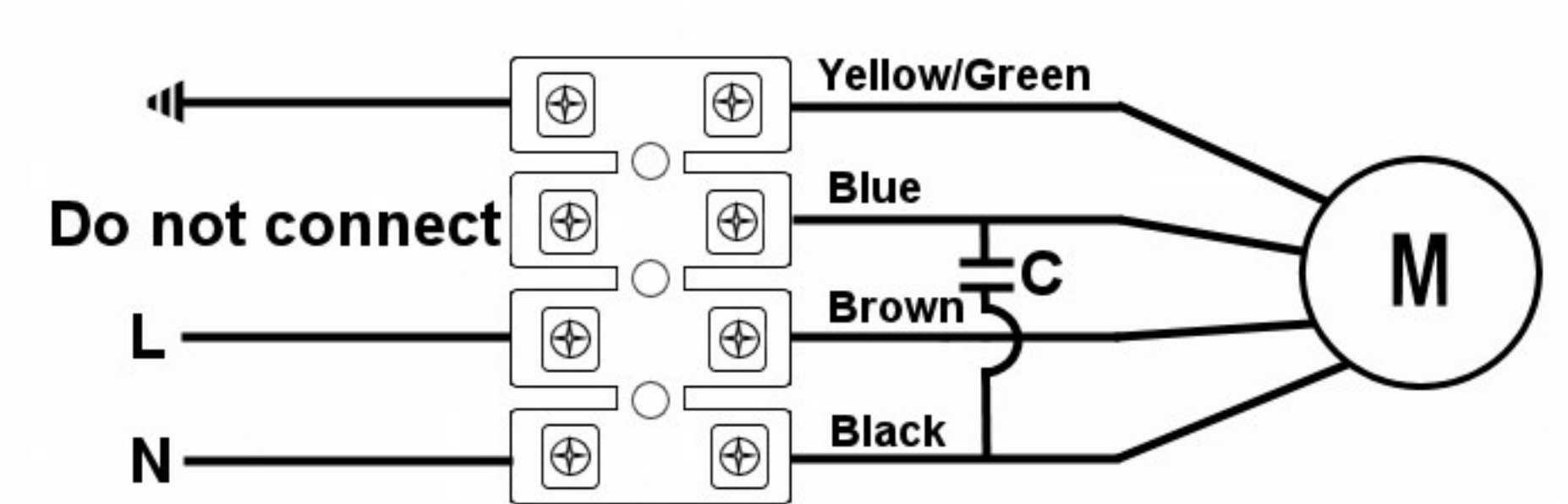
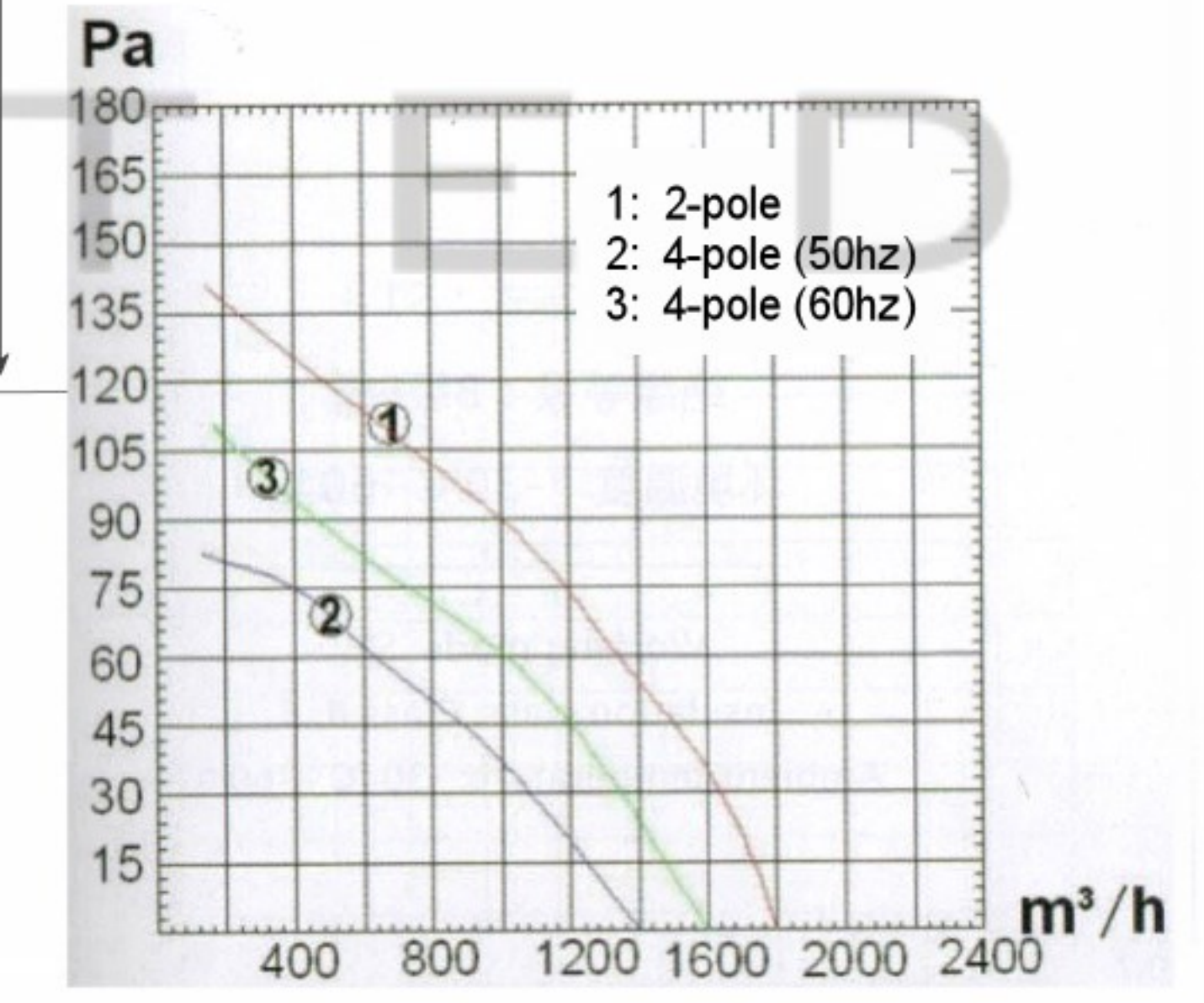


		MM
A	Total Width	380
B	Fixing point width	15
C	Slot width	8
D	Fixing point lug outer PCD	370
E	Fixing point lug inner PCD	333
F	Fan blade diameter	300
G	Basket outer diameter	340
H	Basket inner diameter	330
I	Basket depth	70
J	Lead length	1400
K	Fan blade/motor protrusion	24
L	Overall depth	104

All measurements shown are in millimeters  
 Measurements shown have manufacturing tolerances of +/- 2mm



SPECIFICATION					
Motor	PSC	Speed (RPM)	1350	Bearings	Ball
Voltage (V)	220/240	Motor Protection	Th. Prot.	Weight (Kg)	3.3
Frequency (Hz)	50/60	Insulation Class	F	Air Volume (M³/h)	1400
Power In/Out (W)	80	Protection Class	IP54	Noise Level (dBA)	53
Current (A)	0.38	Temp. Range	-30 +60	Capacitor (MF)	3.0

**POLE STAR**  
 PRODUCTS LIMITED

POLE STAR PRODUCTS LIMITED  
 Product Code  
**GMA1-300S4-L**

Projection Angle ± 3°

A4  
 Scale:  
 Sheet: 1 of