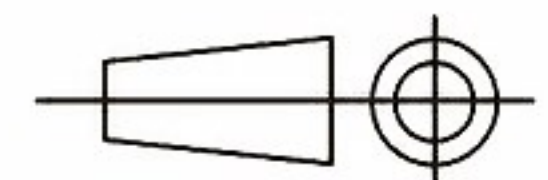


POLE STAR PRODUCTS LIMITED



SPECIFICATION					
Motor	1Phz	Speed (RPM)	2250/1850	Bearings	Ball
Voltage (V)	230	Motor Protection	Th.Prot.	Airflow (m3/h)	284/248
Frequency (Hz)	50	Insulation Class	B	Noise dB(A)	25/22
Power In/Out (W)	33/28	Protection Class	IP42	UK Mains Plug	Yes
Current (A)	0.14/0.13	No. of speeds	2		

POLE STAR
PRODUCTS LIMITED

POLE STAR PRODUCTS LIMITED	
Product Code SMFF2-100/125-2P	
Projection Angle ± 3°	
	A4 Scale: Sheet: 1 of