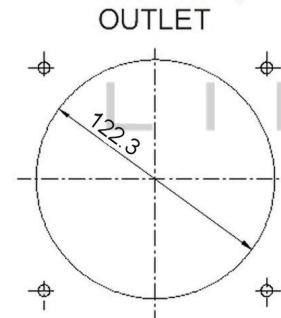
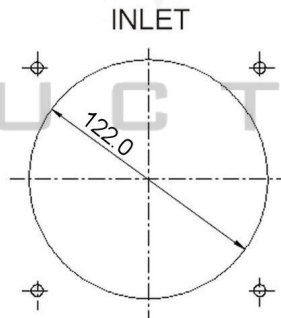
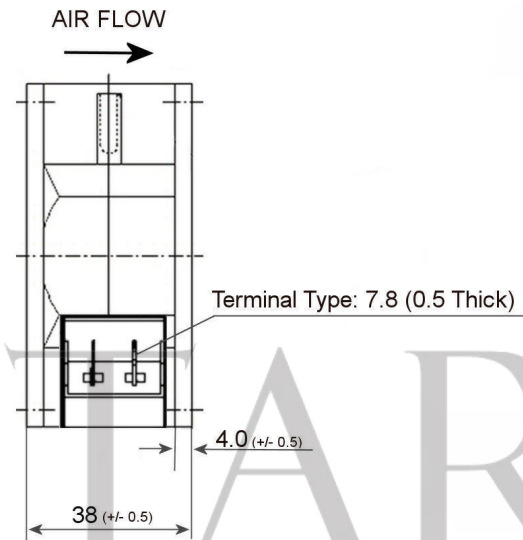
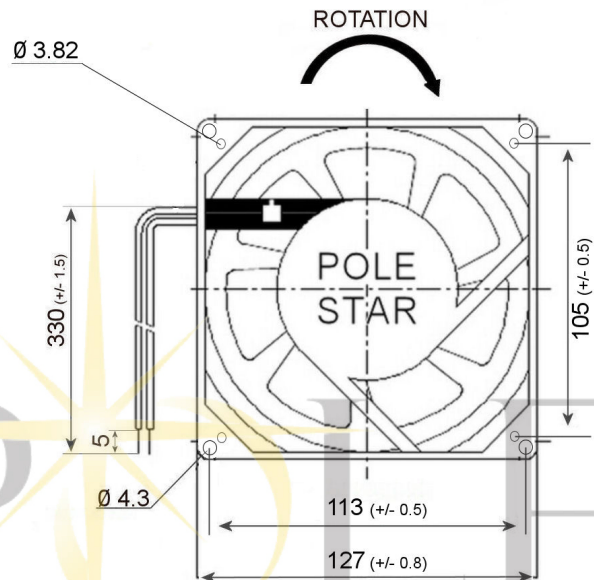


Manufactured with either terminal pins or flying leads



- NMB Ball Bearing  
- Temperature Rating:  $-40^{\circ}\text{C}$  to  $+65^{\circ}\text{C}$

SPECIFICATION					
Motor	SP	Speed (RPM)	2800	Bearings	Ball
Voltage (V)	220/240	Motor Protection	Imp.Prot	Weight (g)	600
Frequency (Hz)	50/60	Insulation Class	B	Air Volume (CFM)	106
Power In (Watts)	21/23	Protection Class	IP24	Noise Level (dBA)	47
Current (A)				Pressure (Inch-H <sub>2</sub> O)	

**POLE STAR**  
PRODUCTS LIMITED

POLE STAR PRODUCTS LIMITED	
Product Code	<b>PS12738BT-1</b>
Projection	A4
Angle	Scale:
$\pm 3^{\circ}$	Sheet: 1 of

